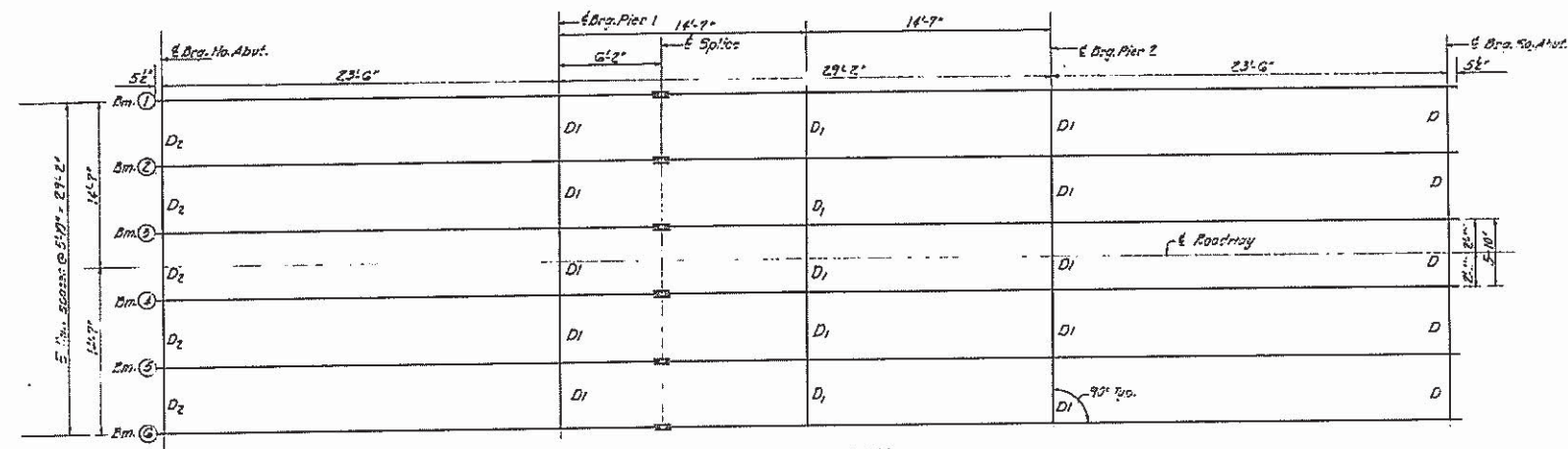
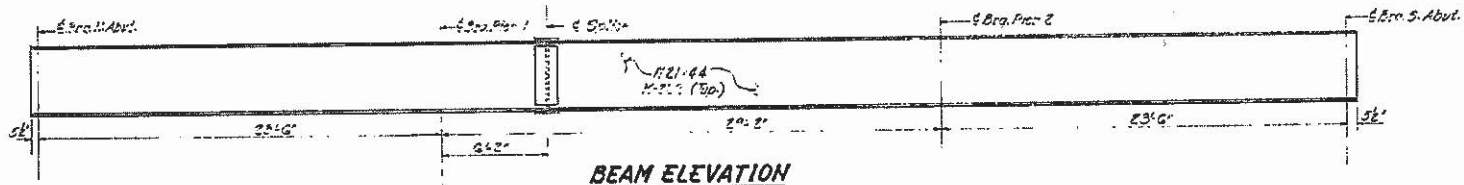


STATE OF ILLINOIS  
DEPARTMENT OF TRANSPORTATION

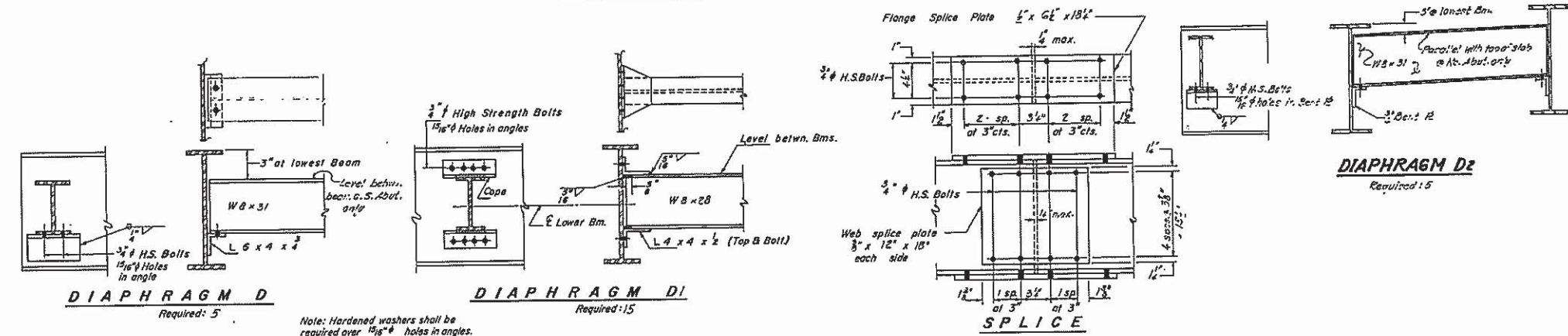
PROJECT NO.	120	SHEET NO.	25	TOTAL SHEETS	18
PROJECT NAME	BR-4	DATE	11	SHEETS	



FRAMING PLAN



BEAM ELEVATION



DIAPHRAGM D  
Required: 5

DIAPHRAGM D1  
Required: 15

SPLICE

DIAPHRAGM D2  
Required: 5

Note: Hardened washers shall be required over 1/2" holes in angles.

DESIGNED	Michael K. Tushnet	EXAMINED	Michael K. Tushnet
CHECKED	Michael K. Tushnet	PASSED	Michael K. Tushnet
DRAWN	J.P.	APPROVED	Michael K. Tushnet
CHECKED	Michael K. Tushnet	UNDER SECRETARY, CHIEF TRANSPORTATION ENGINEER	

I-2-D 4-15-73

STRUCTURAL STEEL  
F.A. RT. 510 SEC. 120 BR-4  
HANCOCK COUNTY  
STA. 974+87.00