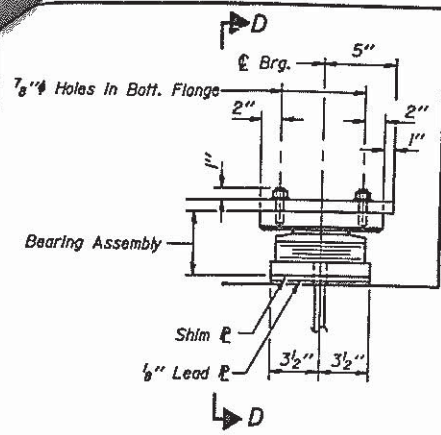
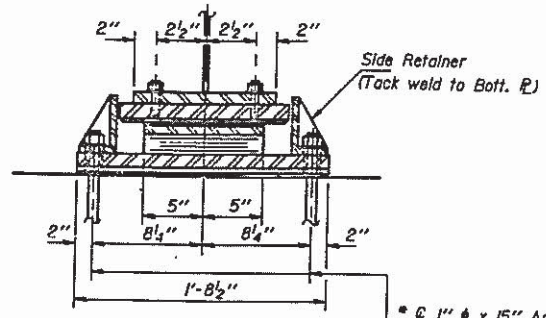


DEPARTMENT OF TRANSPORTATION
STATE OF ILLINOIS

DATE	BY	CHKD	APP'D	SHEET NO.
7-15	119BR	SCHUYLER	26	20
TOTAL SHEETS				15 SHEETS



ELEVATION AT E. ABUT.

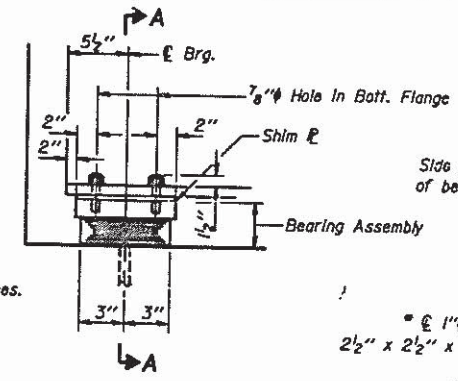


SECTION D-D

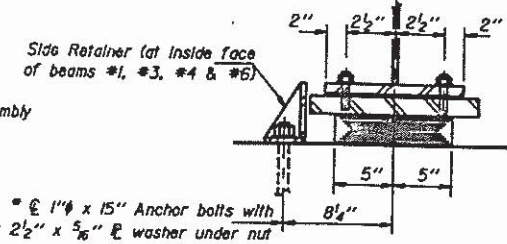
TYPE II TFE ELASTOMERIC EXP. BRG.

* Notes: Anchor bolts at fixed bearings may be built into the masonry.
See sheet #13 of 16 for Anchor Bolt Installation.
The Structural Steel bearing plates for the Elastomeric Bearing Assembly and Fixed Bearing shall be A.A.S.H.T.O. M223, Grade 50.
Note: The 1/8" TFE sheet shall be bonded directly to the top steel plate with a two-component, medium viscosity epoxy resin, conforming to the requirements of the Federal Specification MM-A-144, Type I. The bond agent shall be applied on the full area of the contact surfaces.
Bonding of 1/8" TFE sheet during vulcanizing process will be permitted provided the process and method of adjusting assembly height is approved by the Engineer.

* 1" x 15" Anchor bolts with 2 1/2" x 2 1/2" x 5/16" R washers under nut. 1 1/2" Holes in bottom R.

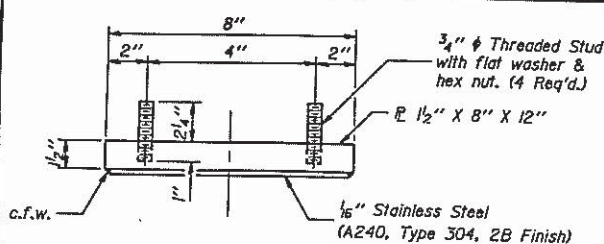


ELEVATION AT W. ABUT.

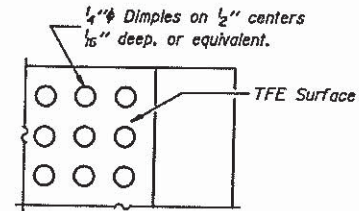


SECTION A-A

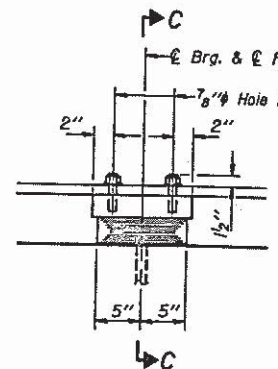
TYPE I ELASTOMERIC EXP. BRG.



TOP BEARING ASSEMBLY



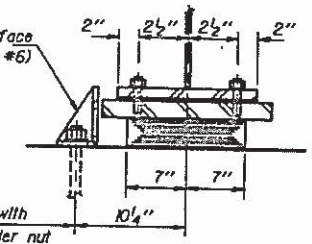
PLAN-TFE SURFACE



ELEVATION AT PIER #2

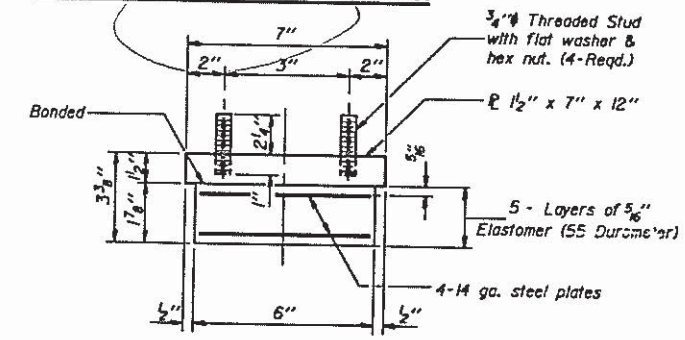
* 1" x 15" Anchor bolts with 2 1/2" x 2 1/2" x 5/16" R washer under nut

PINTLE

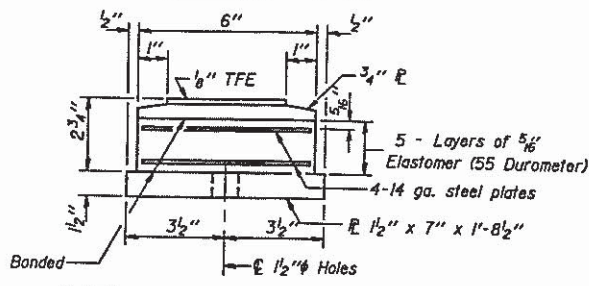


SECTION C-C

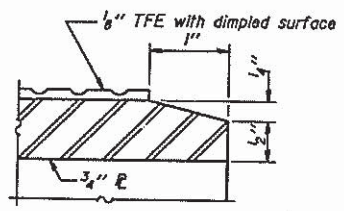
Note: Shim plates shall not be placed under Bearing Assembly.



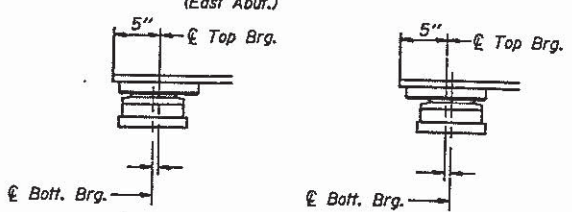
BEARING ASSEMBLY (West Abut.)



BOTTOM BEARING ASSEMBLY (East Abut.)

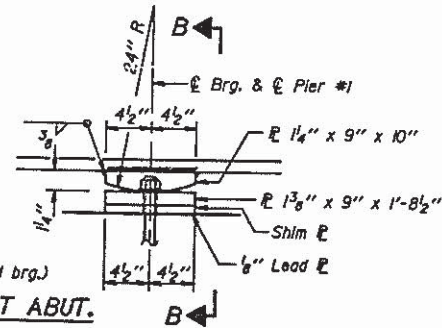


SECTION THRU TFE



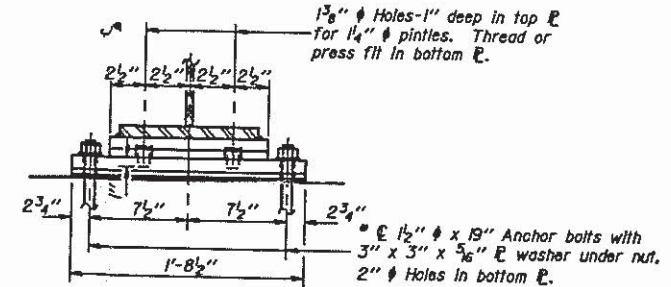
BELOW 50°F. (Move bott. brg. away from fixed brg.)
ABOVE 50°F. (Move bott. brg. toward fixed brg.)
D = 1/8" per each 100' of expansion for every 15° temp. change from the normal temp. of 50°F.

SETTING ANCHOR BOLTS AT EXP. BRG. AT EAST ABUT.

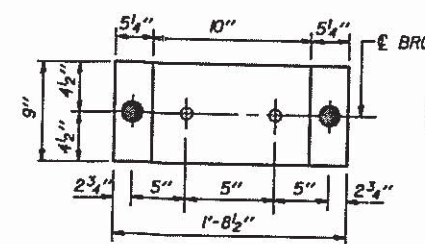


ELEVATION AT PIER #1

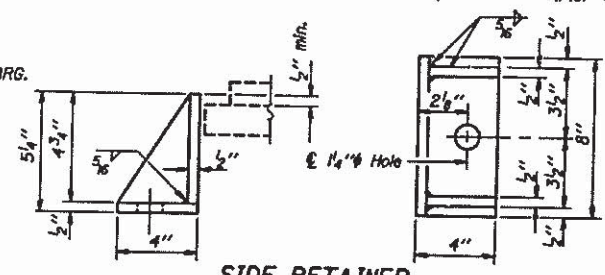
FIXED BEARING



SECTION B-B

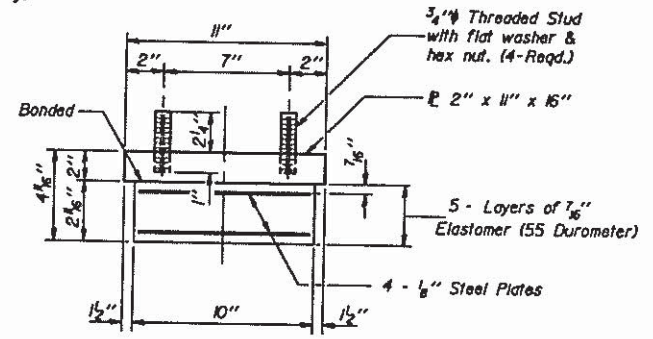


PLAN-BOTTOM PLATE (Fixed Bearing)



SIDE RETAINER (20 Req'd)

Equivalent rolled angle with stiffeners will be allowed in lieu of welded plates.



BEARING ASSEMBLY (Pier #2)

BILL OF MATERIAL

Item	Unit	Total
Elastomeric Bearing Assembly Type I	Each	12
Elastomeric Bearing Assembly Type II	Each	6

BEARING DETAILS
F.A. RTE. 713 SECTION 119BR
SCHUYLER COUNTY
STA. 143+00.00

DESIGNED: *DKM*
CHECKED: *DKM*
DRAWN: *R.S.*
CHECKED: *DKM*
I-2-E2 12-1-83

AS REVISED: 7-20-88 R.E.A.