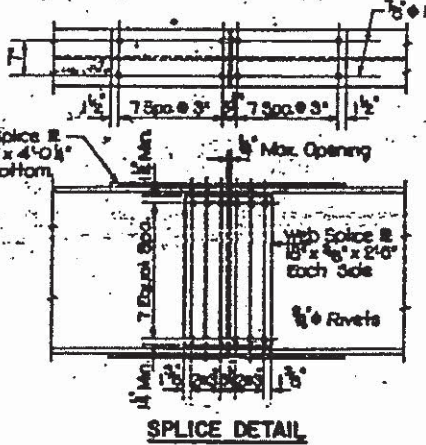
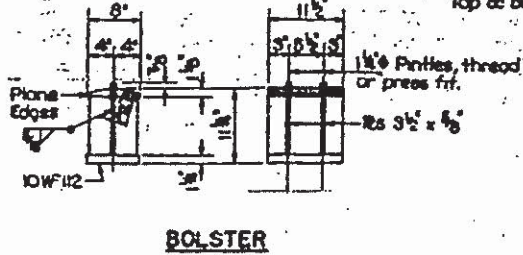
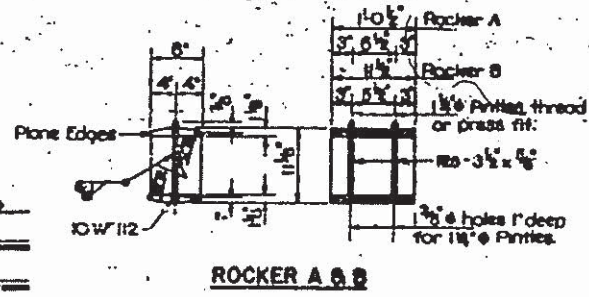
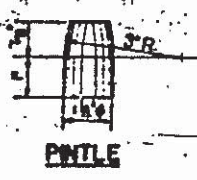
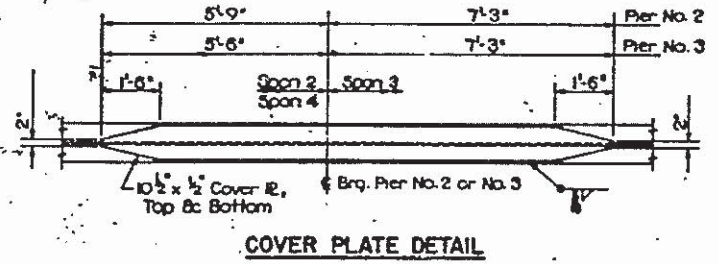
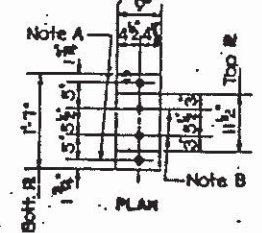
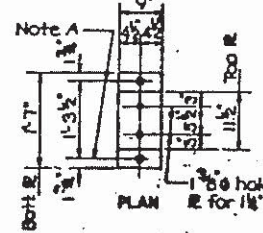
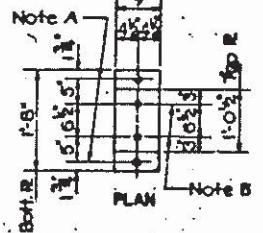
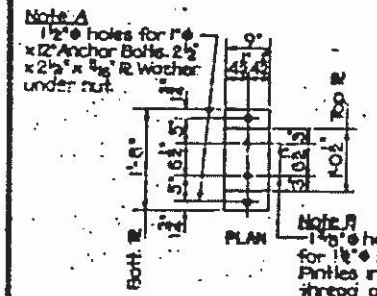
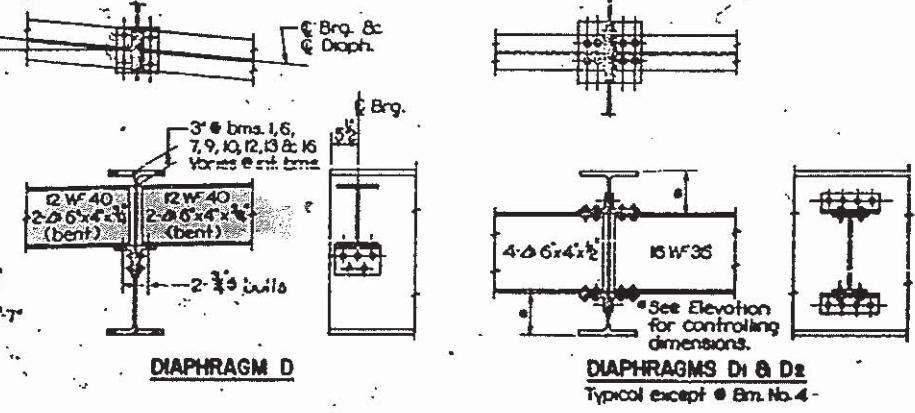
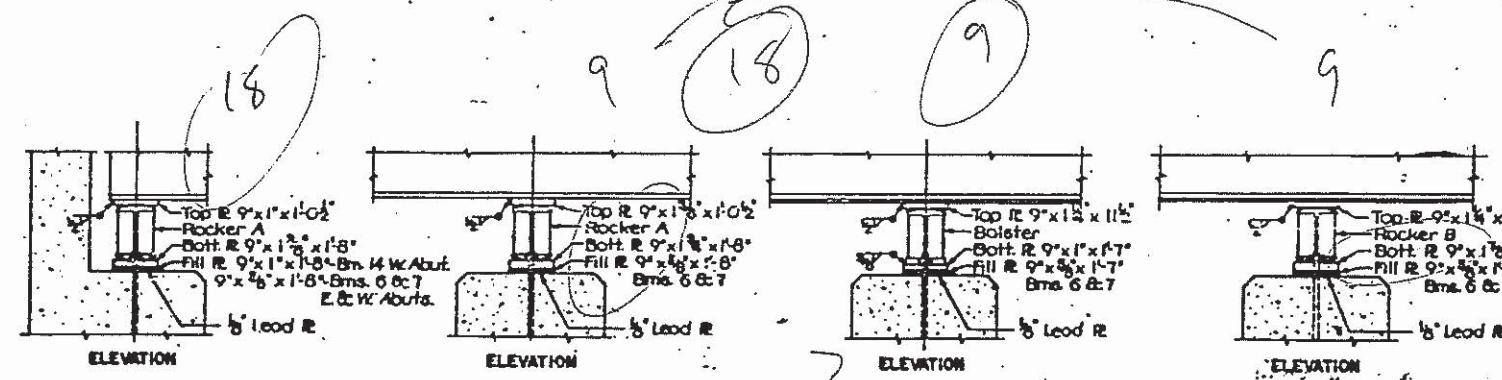
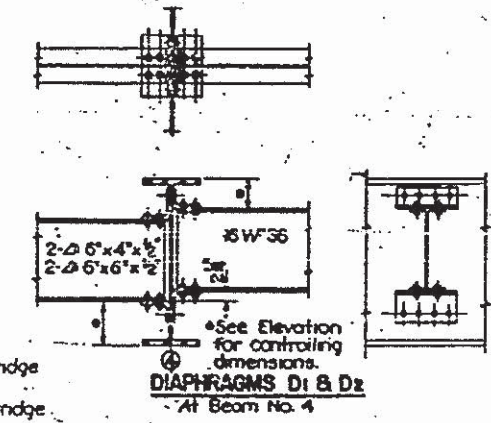
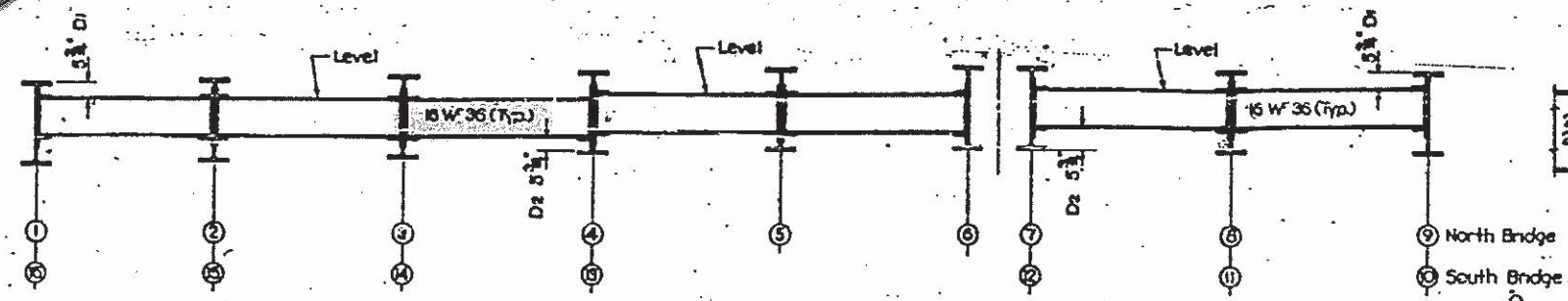


STATE OF ILLINOIS
DEPARTMENT OF PUBLIC WORKS & BUILDINGS
DIVISION OF HIGHWAYS

DATE	BY	CHECKED	SCALE	SHEET NO.
F.A. RT. 196	JCC	D.D.O.		58

SHEET 7 OF 19



STRUCTURAL STEEL DETAILS
F.A. RT. 196 OVER U.S. RT. 66
F.A. ROUTE 196 SEC. 84-3HD-4-F
SANGAMON COUNTY
STATION 674+00

FILE NAME	USER NAME	DESIGNED	REVISED
OPERATIONS\Bridgplans_CAD\72H37	dudleyjm		
PLLOT SCALE	PLLOT DATE	CHECKED	DATE
1/8" = 1'-0"	Aug-28-2014 8:14:24PM		

STATE OF ILLINOIS
DEPARTMENT OF TRANSPORTATION

EXISTING PLANS SN 084-0076 & 084-0077 (FOR INFORMATION ONLY)	SCALE: _____	SHEET _____ OF _____ SHEETS	STA. _____ TO STA. _____
-----------------------------------------------------------------	--------------	-----------------------------	--------------------------

F.A. RTE.	SECTION	COUNTY	TOTAL SHEETS	SHEET NO.
VAR. 06 BDGE PAINTING 2015-1		VARIOUS	58	55
CONTRACT NO. 72H37				
ILLINOIS FED. AID PROJECT				