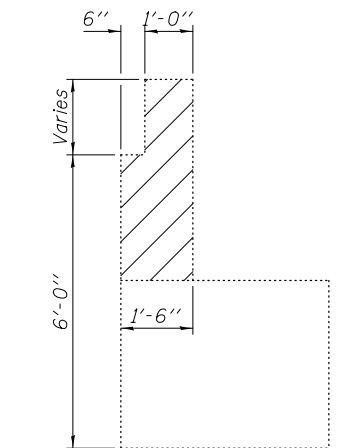
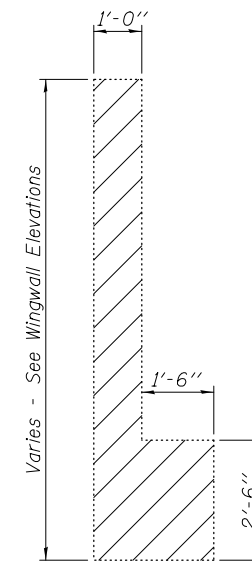
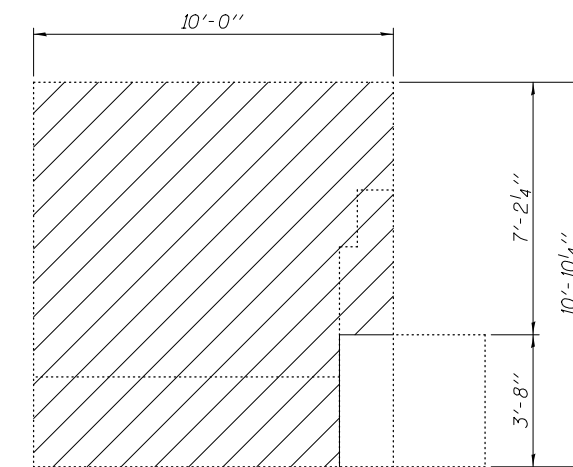


**ELEVATION**  
(Looking west)

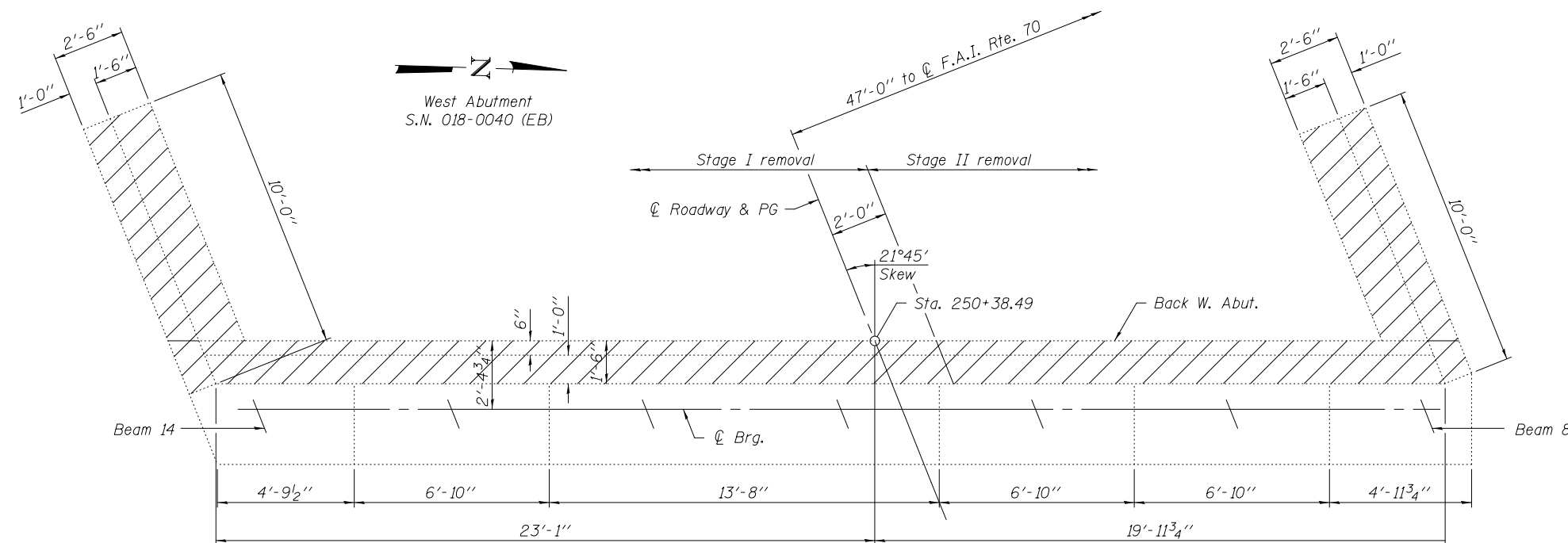


**SECTION THRU ABUTMENT**

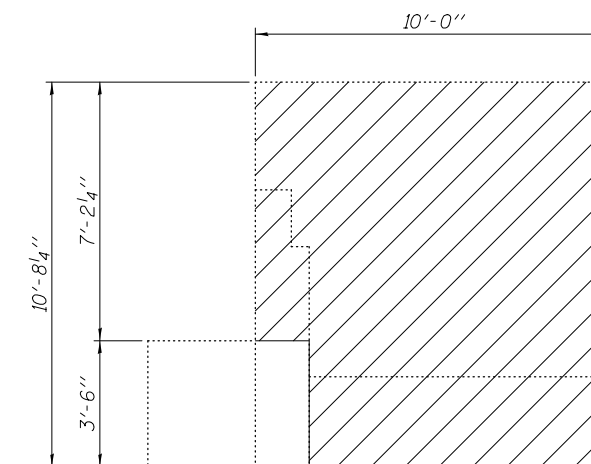
**SECTION THRU WINGWALL**



**SOUTH WINGWALL ELEVATION**



**PLAN**



**NORTH WINGWALL ELEVATION**

Notes:  
 Hatched areas indicate the limits of Concrete Removal.  
 Existing reinforcement extending into new construction shall be cleaned, straightened, and incorporated into the new construction. Cost included with Concrete Removal.  
 Existing reinforcement not extending into new construction shall be cut off flush and covered with a 2" layer of cement grout. Cost included with Concrete Removal.  
 The elevations shown above were calculated from the survey information provided by the district.

**BILL OF MATERIAL**

ITEM	UNIT	QUANTITY
Concrete Removal	Cu. Yd.	17.8

DESIGNED - FESSEHA TEKLEHAIMANOT  
 CHECKED - JOSUE ORTIZ-VARELA  
 DRAWN - MICHAEL B. MOSSMAN  
 CHECKED - F.T. / J.O.V. / G.R.A.

EXAMINED  
 PASSED  
 ACTING ENGINEER OF BRIDGE DESIGN  
 ACTING ENGINEER OF BRIDGES AND STRUCTURES

DATE - SEPTEMBER 16, 2014  
 REVISED  
 REVISED

**STATE OF ILLINOIS**  
**DEPARTMENT OF TRANSPORTATION**

**WEST ABUTMENT REMOVAL**  
**STRUCTURE NO. 018 - 0040 (EB)**

SHEET NO. 25 OF 36 SHEETS

F.A.I. RTE.	SECTION	COUNTY	TOTAL SHEETS	SHEET NO.
70	(18-45HB-1)BR	CUMBERLAND	43	32
CONTRACT NO. 74187				

ILLINOIS FED. AID PROJECT