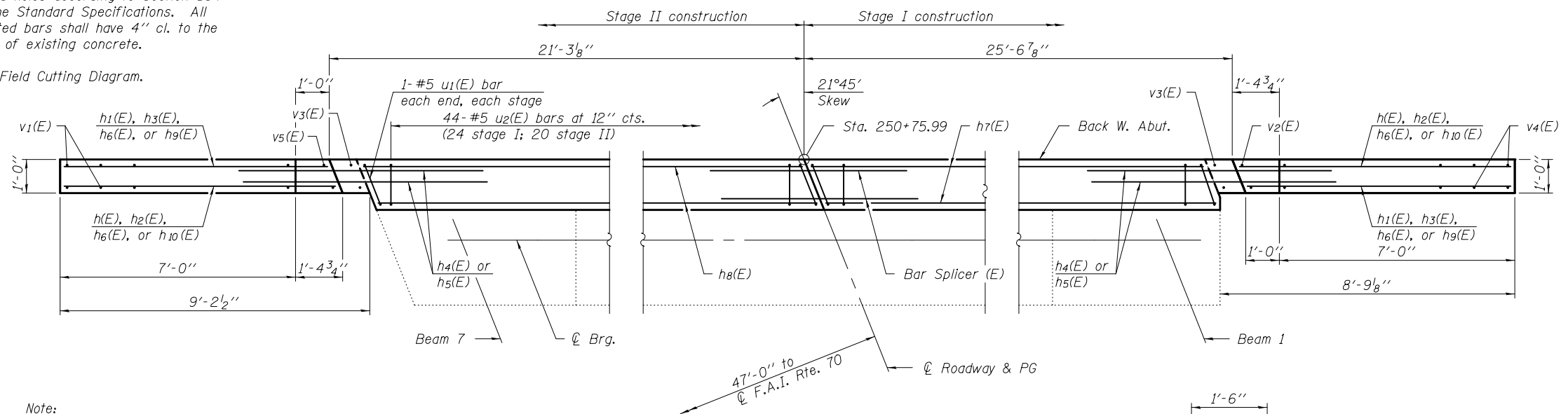


ELEVATION
(Looking west)

* Epoxy grout h4(E) bars in 9" min. drilled holes according to Section 584 of the Standard Specifications. All grouted bars shall have 4" cl. to the edge of existing concrete.

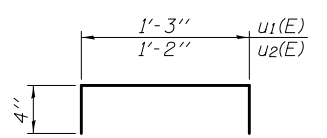
** See Field Cutting Diagram.



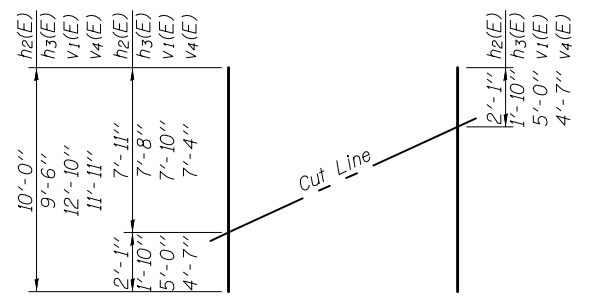
PLAN



Note:
Existing reinforcement shall be cleaned and incorporated into the new construction. Cost included with Concrete Removal.

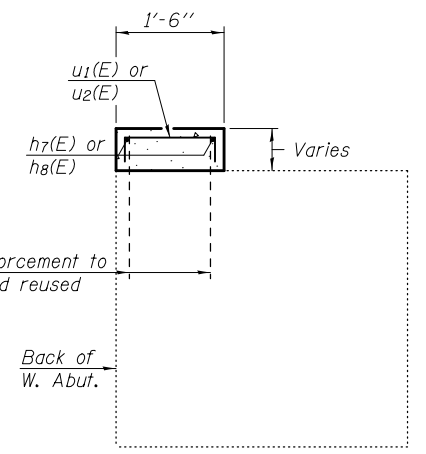


BARS u₁(E) & u₂(E)



FIELD CUTTING DIAGRAM

Order v₁(E), and v₄(E) full length. Cut as shown and use remainder of bars in opposite face.
Order h₂(E) and h₃(E) full length. Cut as shown and use remainder of bars in opposite face of opposite wingwall.



SECTION THRU ABUTMENT

BILL OF MATERIAL

Bar	No.	Size	Length	Shape
h(E)	16	#6	8'-10"	—
h ₁ (E)	16	#6	8'-6"	—
h ₂ (E)	5	#6	10'-0"	—
h ₃ (E)	5	#6	9'-6"	—
h ₄ (E)	26	#6	4'-0"	—
h ₅ (E)	6	#6	6'-4"	—
h ₆ (E)	4	#5	8'-9"	—
h ₇ (E)	2	#6	24'-5"	—
h ₈ (E)	2	#6	20'-2"	—
h ₉ (E)	2	#6	7'-8"	—
h ₁₀ (E)	2	#6	8'-1"	—
u ₁ (E)	4	#5	1'-11"	□
u ₂ (E)	44	#5	1'-10"	□
v ₁ (E)	8	#5	12'-10"	—
v ₂ (E)	2	#5	7'-5"	—
v ₃ (E)	4	#5	4'-1"	—
v ₄ (E)	8	#5	11'-11"	—
v ₅ (E)	2	#5	7'-10"	—
Structure Excavation			Cu. Yd.	97
Concrete Structures			Cu. Yd.	5.8
Reinforcement Bars, Epoxy Coated			Pound	1,340