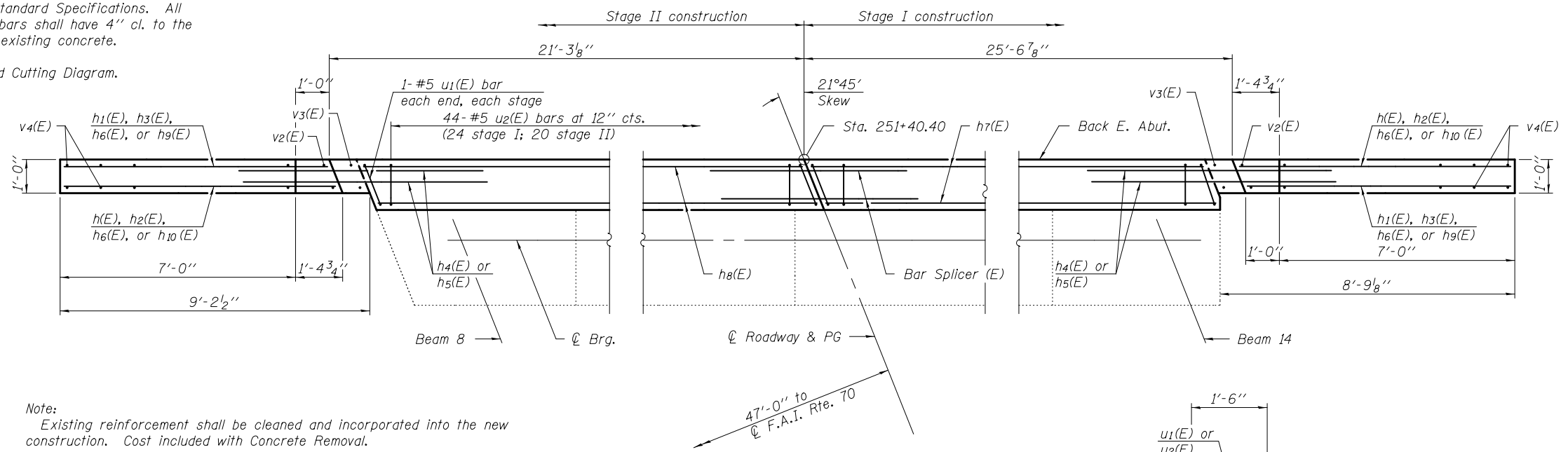


**ELEVATION**  
(Looking east)

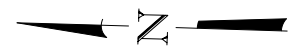
\* Epoxy grout  $h_4(E)$  bars in 9" min. drilled holes according to Section 584 of the Standard Specifications. All grouted bars shall have 4" cl. to the edge of existing concrete.

\*\* See Field Cutting Diagram.

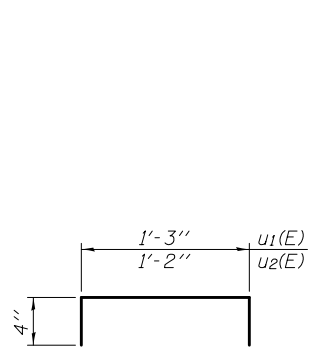


**PLAN**

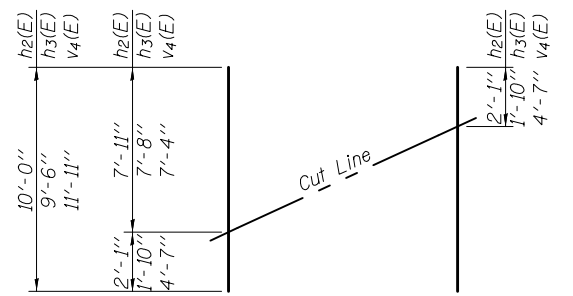
Note:  
Existing reinforcement shall be cleaned and incorporated into the new construction. Cost included with Concrete Removal.



East Abutment  
S.N. 018-0040 (EB)

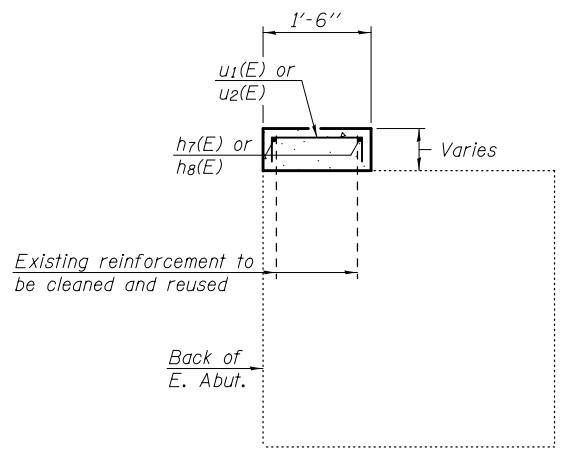


**BARS  $u_1(E)$   
&  $u_2(E)$**



**FIELD CUTTING DIAGRAM**

Order  $v_4(E)$  full length. Cut as shown and use remainder of bars in opposite face.  
Order  $h_2(E)$  and  $h_3(E)$  full length. Cut as shown and use remainder of bars in opposite face of opposite wingwall.



**SECTION THRU ABUTMENT**

**BILL OF MATERIAL**

Bar	No.	Size	Length	Shape
$h(E)$	16	#6	8'-10"	—
$h_1(E)$	16	#6	8'-6"	—
$h_2(E)$	5	#6	10'-0"	—
$h_3(E)$	5	#6	9'-6"	—
$h_4(E)$	26	#6	4'-0"	—
$h_5(E)$	6	#6	6'-4"	—
$h_6(E)$	4	#5	8'-9"	—
$h_7(E)$	2	#6	24'-5"	—
$h_8(E)$	2	#6	20'-2"	—
$h_9(E)$	2	#6	7'-8"	—
$h_{10}(E)$	2	#6	8'-1"	—
$u_1(E)$	4	#5	1'-11"	□
$u_2(E)$	44	#5	1'-10"	□
$v_2(E)$	4	#5	7'-5"	—
$v_3(E)$	4	#5	4'-1"	—
$v_4(E)$	16	#5	11'-11"	—
Structure Excavation		Cu. Yd.	92	
Concrete Structures		Cu. Yd.	5.8	
Reinforcement Bars, Epoxy Coated		Pound	1,330	