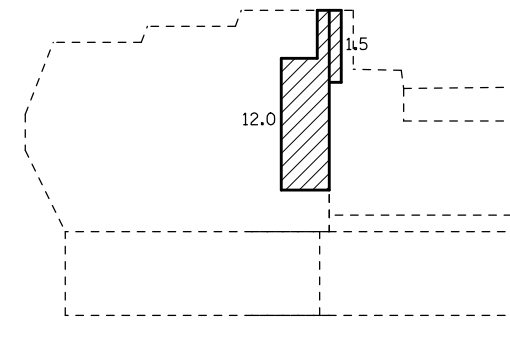


NORTHWEST CORNER OF SOUTH ABUTMENT

SN 025-0071



SOUTHWEST CORNER OF NORTH ABUTMENT

SN 025-0071

NOTE: All quantities in SQ. FT.

TOTAL ABUTMENTS = 22.5 SQ FT

NOTE: QUANTITIES ARE ESTIMATED. ACTUAL QUANTITIES TO BE DETERMINED BY THE RESIDENT ENGINEER.

FILE NAME =	USER NAME = \$USER*	DESIGNED - MEA	REVISED -	STATE OF ILLINOIS DEPARTMENT OF TRANSPORTATION	STRUCTURAL REPAIR OF CONCRETE ≤ 5" SN 025-0071 (NB)	F.A.I. RTE.	SECTION	COUNTY	TOTAL SHEETS	SHEET NO.	
FILEL		DRAWN - CKT	REVISED -			57	(25-6, 7)RS-2	EFFINGHAM	63	42	
MODELNAME		CHECKED - MEA	REVISED -			CONTRACT NO. 74638		ILLINOIS FED. AID PROJECT			
	PLOT DATE = \$DATE*	DATE - 8/11/2014	REVISED -			SCALE:	SHEET 14 OF 22 SHEETS	STA.	TO STA.		