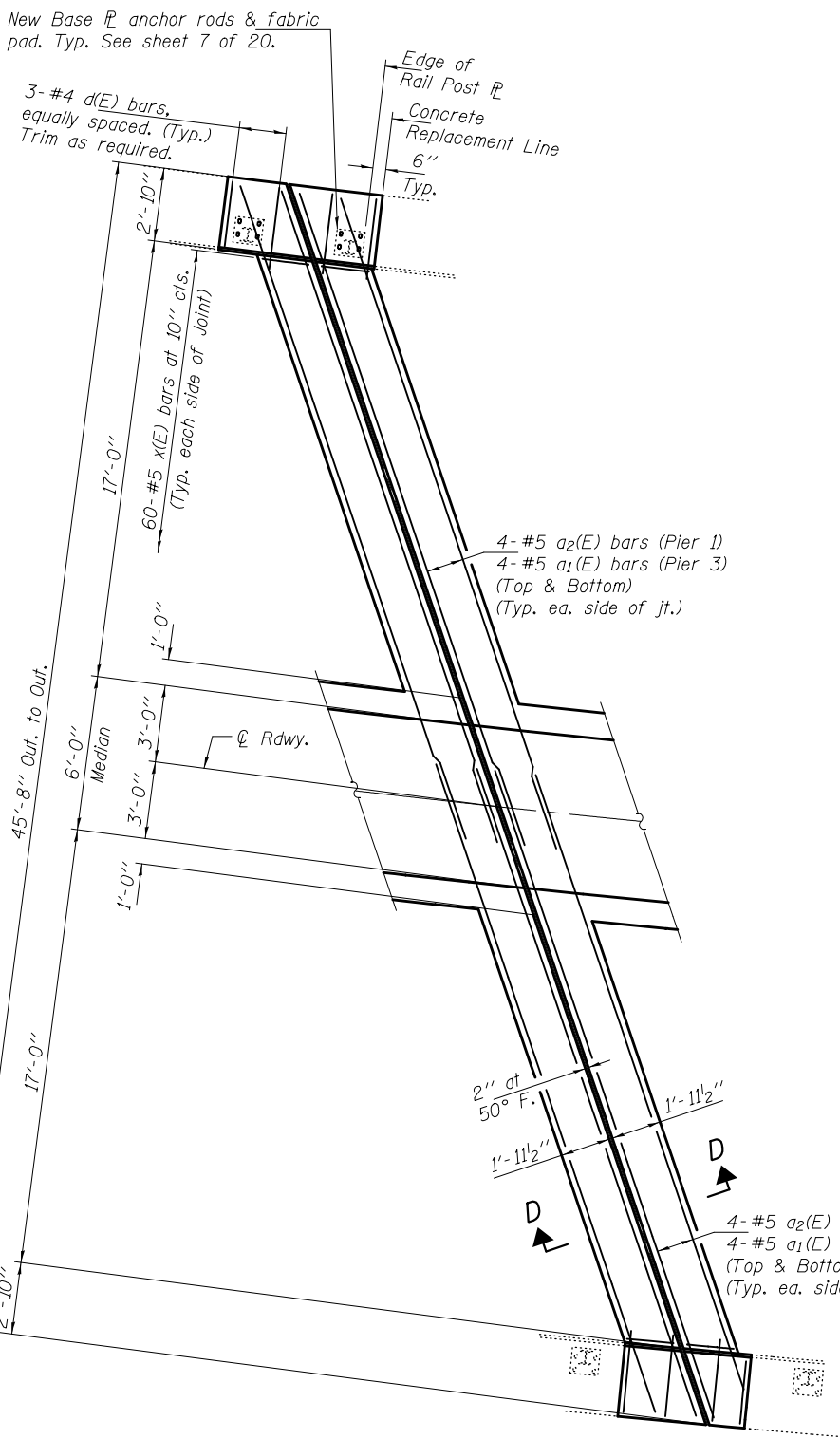


CONCRETE REMOVAL AT PIERS 1 & 3

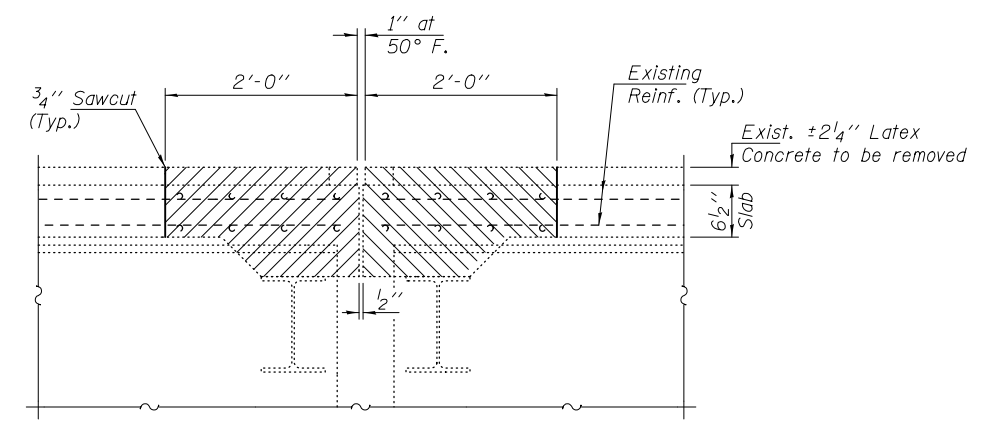
Dimensions measured perpendicular to \perp Roadway.
Pier 1 shown. Pier 3 similar by rotation.

Note:
Hatched areas indicate Concrete Removal.
For Median & Curb reinforcement and details
see sheet 7 of 20.



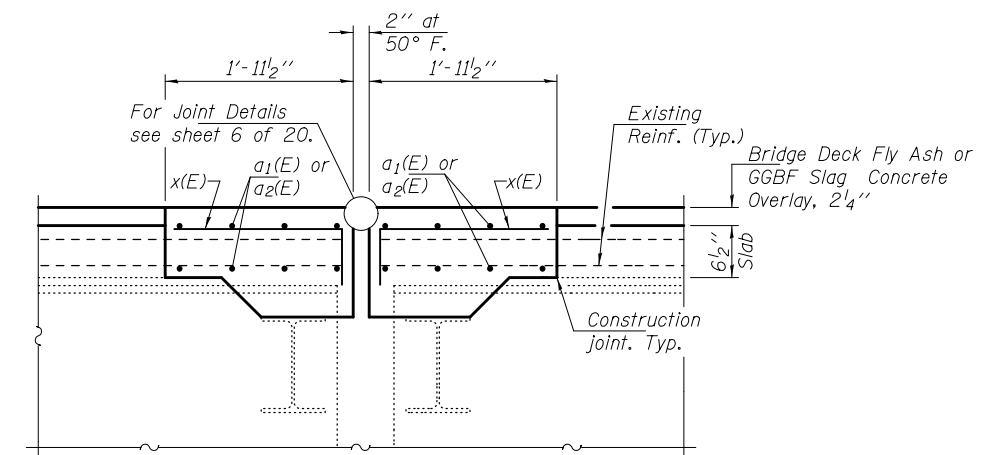
CONCRETE REPLACEMENT AT PIERS 1 & 3

Dimensions measured perpendicular to \perp Roadway.
Pier 1 shown. Pier 3 similar by rotation.



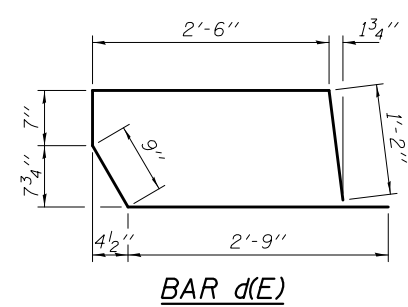
SECTION C-C

Dims. at Rt. L to Abutments



SECTION D-D

Dims. at Rt. L to Abutments



BAR x(E)

MIN. BAR LAP

#5 Bars = 2'-7"

PIER 1 BILL OF MATERIAL

Bar	No.	Size	Length	Shape
a ₂ (E)	32	#5	26'-6"	—
d(E)	12	#4	7'-9"	□
x(E)	120	#5	2'-4"	┌
Concrete Removal		Cu. Yd.	7.9	
Concrete Superstructure		Cu. Yd.	7.9	
Reinforcement Bars, Epoxy Coated		Pounds	1240	

PIER 3 BILL OF MATERIAL

Bar	No.	Size	Length	Shape
a ₁ (E)	32	#5	24'-8"	—
d(E)	12	#4	7'-9"	□
x(E)	120	#5	2'-4"	┌
Concrete Removal		Cu. Yd.	7.0	
Concrete Superstructure		Cu. Yd.	7.0	
Reinforcement Bars, Epoxy Coated		Pounds	1180	

DESIGNED TLC	EXAMINED <i>Timothy A. [Signature]</i>	DATE OCTOBER 16, 2014
CHECKED ATH	PASSED <i>[Signature]</i>	REVISIONS
DRAWN Steffen/baliva	ACTING ENGINEER OF BRIDGES AND STRUCTURES	
CHECKED TLC ATH		

**STATE OF ILLINOIS
DEPARTMENT OF TRANSPORTATION**

**JOINT REMOVAL & REPLACEMENT AT PIERS 1 & 3
SN 025-0042**

SHEET NO. 4 OF 20 SHEETS

F.A.I. RTE.	SECTION	COUNTY	TOTAL SHEETS	SHEET NO.
57	(25-6,7)RS-2	EFFINGHAM	63	53
CONTRACT NO. 74638			ILLINOIS FED. AID PROJECT	