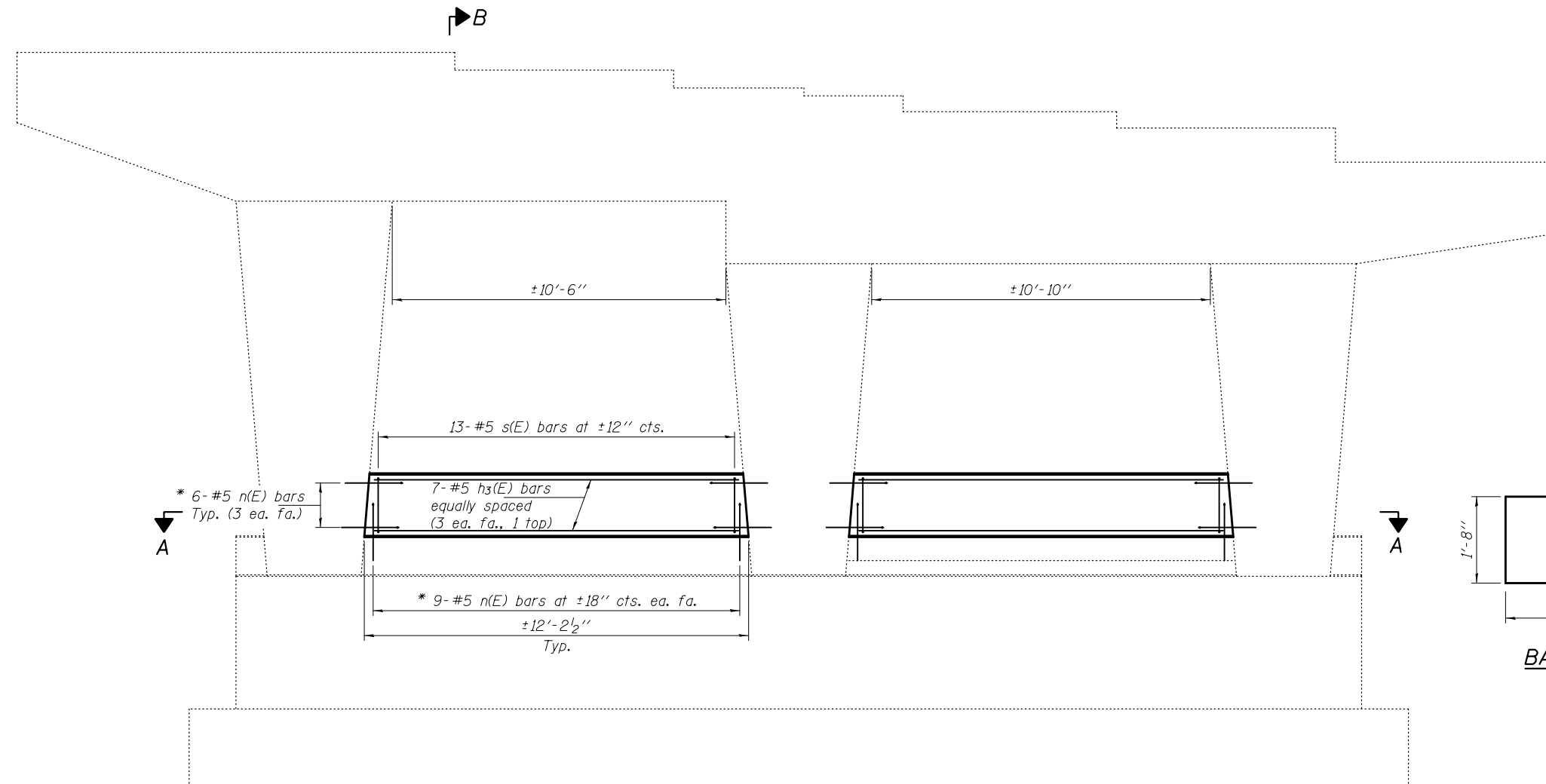
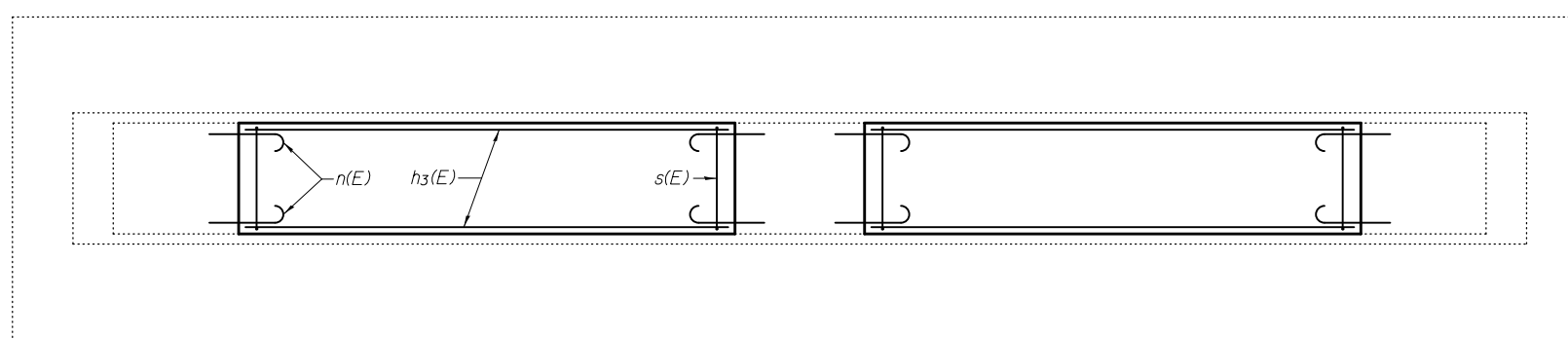


NOTES

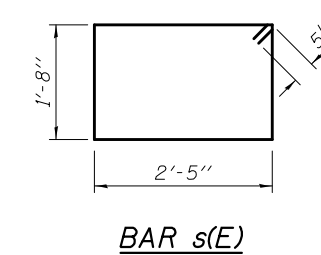
The cost of epoxy grouting threaded rods shall be included with Reinforcement Bars, Epoxy Coated.



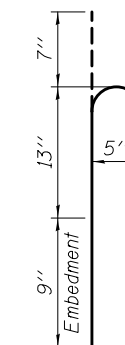
ELEVATION



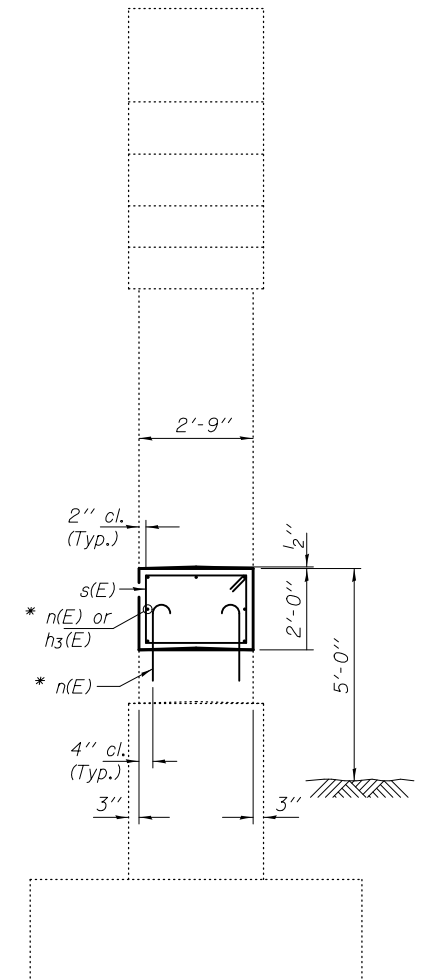
SECTION A-A



BAR s(E)



BAR n(E)



SECTION B-B

* Epoxy grout n(E) bars in 9" min. holes according to Article 584 of the Standard Specifications.

BILL OF MATERIAL

Bar	No.	Size	Length	Shape
h3(E)	14	#5	11'-8"	—
n(E)	60	#5	2'-5"	U
s(E)	26	#5	9'-1"	□
Concrete Structures			Cu. Yd.	4.9
Reinforcement Bars, Epoxy Coated			Pound	570

For additional pier repairs, see sheets 15 & 16 of 20.

DESIGNED <i>TLC</i>	EXAMINED <i>Timothy A. [Signature]</i>	DATE <i>OCTOBER 16, 2014</i>
CHECKED <i>ATH</i>	PASSED <i>[Signature]</i>	REVISIONS
DRAWN <i>Steffen/baliva</i>	ACTING ENGINEER OF BRIDGES AND STRUCTURES	
CHECKED <i>TLC ATH</i>		

**STATE OF ILLINOIS
DEPARTMENT OF TRANSPORTATION**

**PIER 1 CRASHWALL EXTENSION
SN 025-0042**

SHEET NO. 12 OF 20 SHEETS

F.A.I. RTE.	SECTION	COUNTY	TOTAL SHEETS	SHEET NO.
57	(25-6,7)RS-2	EFFINGHAM	63	58C
CONTRACT NO. 74638				

ILLINOIS FED. AID PROJECT