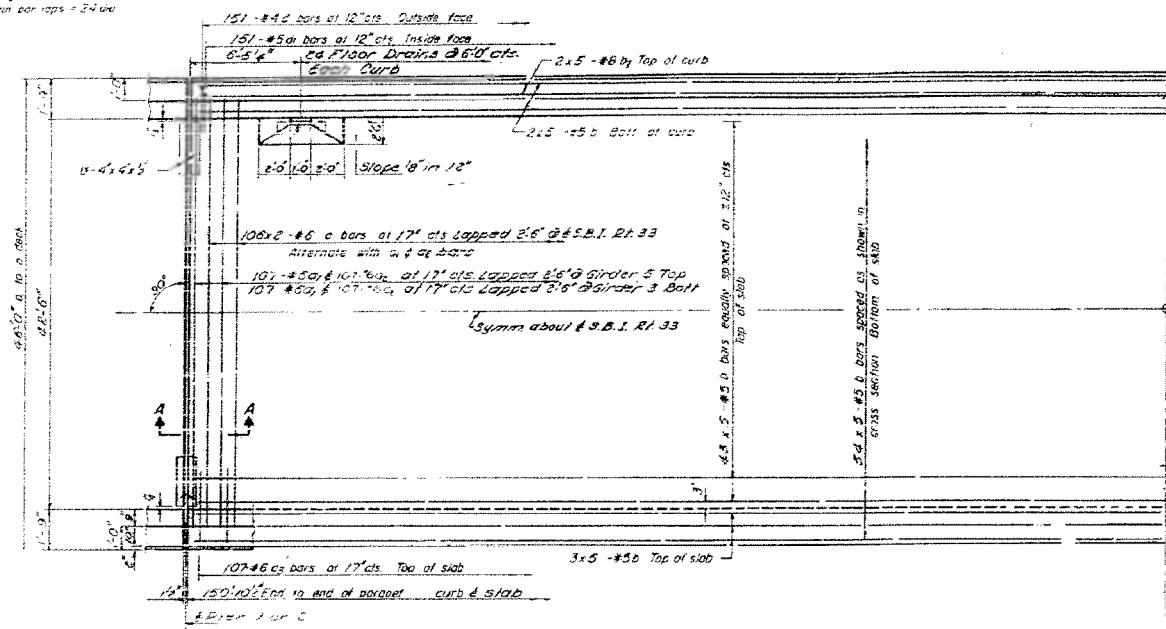
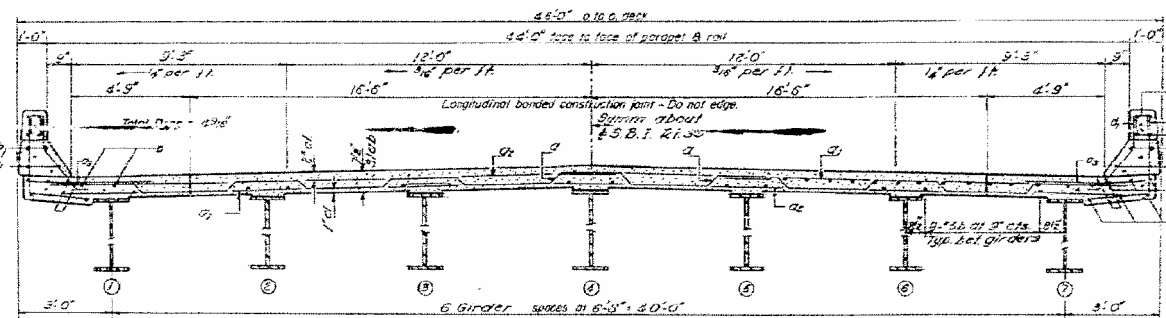


STATE OF ILLINOIS
DEPARTMENT OF PUBLIC WORKS & BUILDINGS
DIVISION OF HIGHWAYS

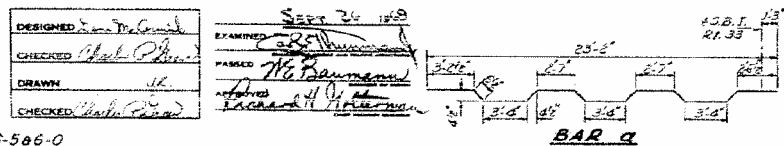
NOTE:
Bars indicated thus 20 x 3 #5 etc.
indicates 20' long bars with 3
repeats per line
See notes on sheet # 24



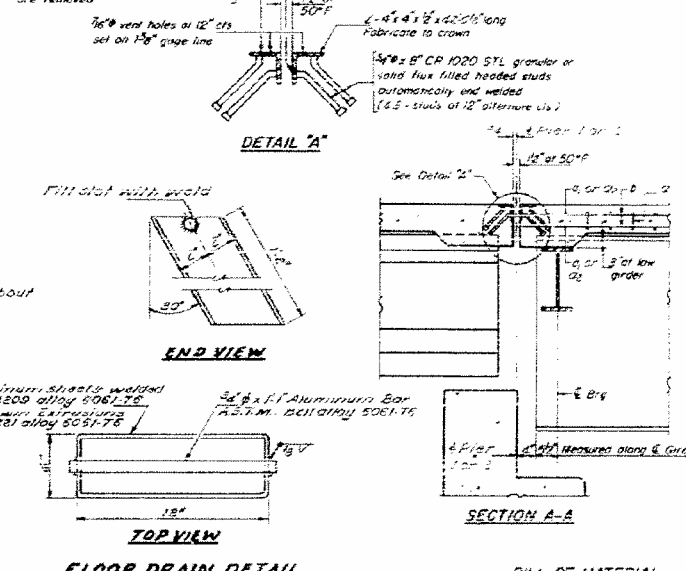
HALF PLAN



CROSS SECTION
(Looking North)

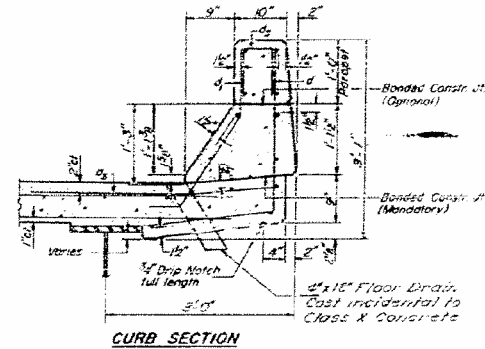


7/8\"/>



FLOOR DRAIN DETAIL

NOTE: For placement of bars d₁ and
e see sheet # 33



CURB SECTION

BILL OF MATERIAL

Bar	No	Size	Length	Shape
a	112	#5	24'-7"	
b	212	#5	16'-5"	
c	218	#6	30'-0"	
d	218	#5	4'-0"	
e	232	#5	31'-2"	
f	20	#6	37'-5"	
Reinforcement Bars Lbs. 44,960				
Class I Concrete Cu Wt. 163.5				
Structural Steel Lbs. 262.430				

* Weight of bearing assemblies with head
plates and anchor bolts are included
as Structural Steel Est Wt = 727.0 Lbs
Parapet Reinforcement and Class X
Concrete are billed on sheet # 33

SUPERSTRUCTURE DETAILS
SPAN 2
F.A. 187 SEC 4-BR
JASPER COUNTY
STATION 57+30

FILE NAME =	USER NAME = steffenk	DESIGNED -	REVISED -
et:\pw_work\pwidot\stefenk\d0403575\074699-sht.pln.dgn		DRAWN -	REVISED -
Default	PLOT SCALE = 100.0000' / in.	CHECKED -	REVISED -
	PLOT DATE = 8/5/2014	DATE -	REVISED -

STATE OF ILLINOIS
DEPARTMENT OF TRANSPORTATION

PLAN
STRUCTURE 040-0016

SCALE: N/A SHEET 9 OF 13 SHEETS STA. TO STA.

* VARIOUS COUNTIES				
F.A.P. RTE.	SECTION	COUNTY	TOTAL SHEETS	SHEET NO.
116	D7 BRIDGE PAINTING 2015-3		19	13
			CONTRACT NO. 74699	
ILLINOIS FED. AID PROJECT				