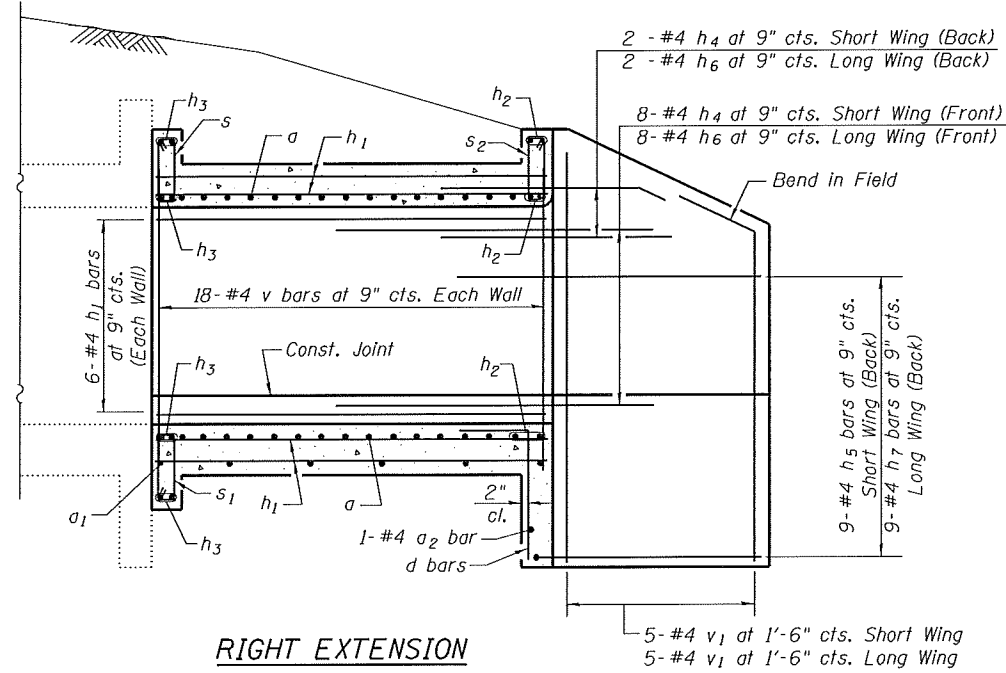
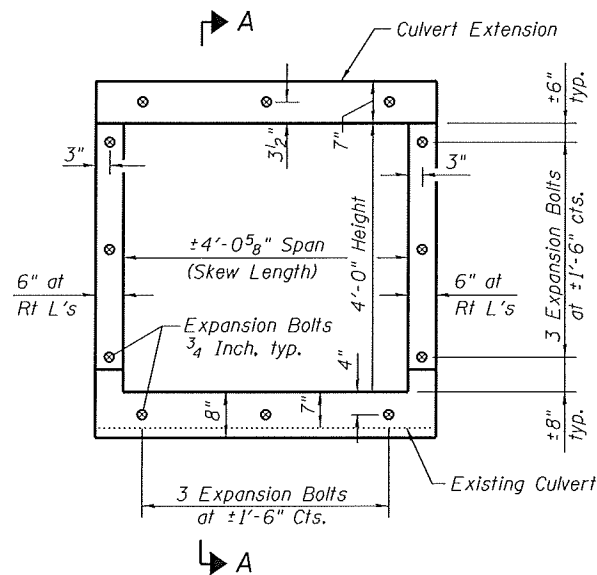


LEFT EXTENSION



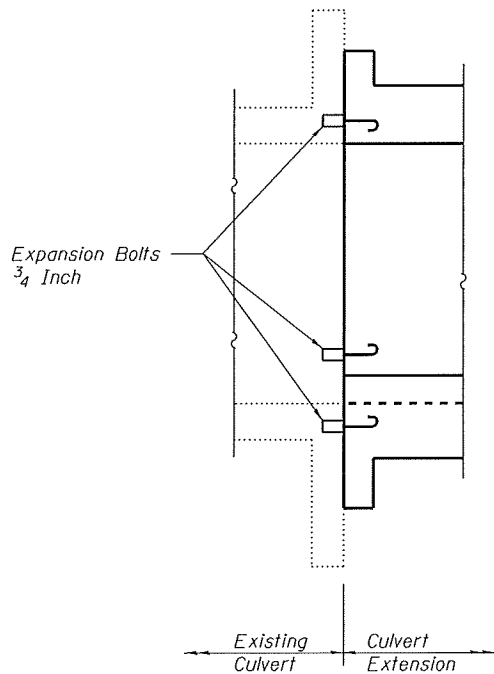
RIGHT EXTENSION

ELEVATION

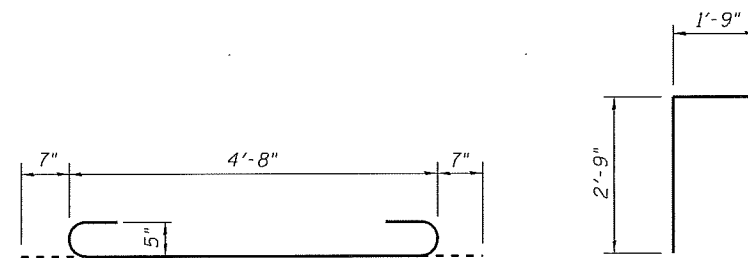


EXPANSION BOLT LAYOUT

Note:  
Expansion Bolts shall be 3/4" hooked bolts. Hooked bolts shall extend a minimum of 9" into the new concrete.

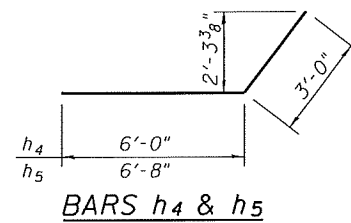


SECTION A-A

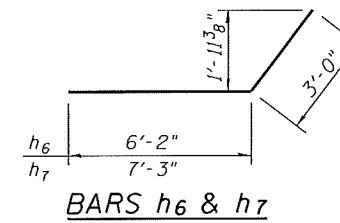


BAR a

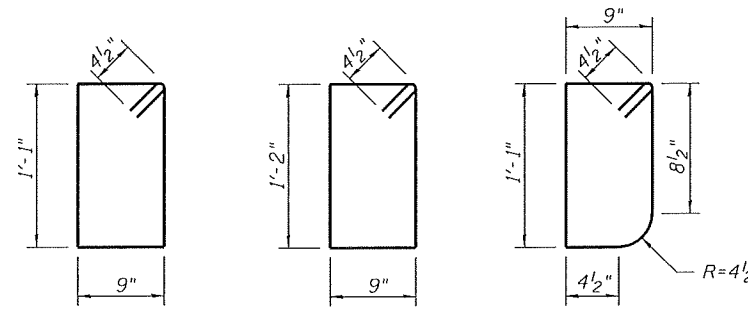
BAR d



BARS h4 & h5



BARS h6 & h7



BAR s

BAR s1

BAR s2

TOTAL BILL OF MATERIAL

Bar	No.	Size	Length	Shape
a	60	#5	5'-10"	
a1	16	#4	4'-8"	
a2	2	#4	4'-11"	
d	10	#4	4'-6"	
h	36	#4	16'-8"	
h1	36	#4	12'-8"	
h2	12	#6	4'-3"	
h3	16	#6	4'-9"	
h4	20	#4	9'-0"	
h5	18	#4	9'-8"	
h6	20	#4	9'-2"	
h7	18	#4	10'-3"	
s	18	#4	4'-5"	
s1	12	#4	4'-7"	
s2	6	#4	4'-3"	
v	88	#4	4'-11"	
v1	24	#4	8'-0"	
Concrete Box Culverts			Cu. Yd.	20.6
Reinforcement Bars			Pound	2360
Expansion Bolts 3/4 Inch			Each	24

FILE NAME = 149+43.87-76789-003.dgn



USER NAME = jdirkelmenn  
Illinois Design Firm Number 184.001670  
PLOT SCALE =  
PLOT DATE = 8/8/2014

DESIGNED - JD  
CHECKED - BB  
DRAWN - WS  
CHECKED - CJF

REVISED -  
REVISED -  
REVISED -  
REVISED -

STATE OF ILLINOIS  
DEPARTMENT OF TRANSPORTATION

BOX CULVERT EXTENSION DETAILS  
STATION 149+43.87

SHEET NO. 3 OF 3 SHEETS

F.A.S. RTE.	SECTION	COUNTY	TOTAL SHEETS	SHEET NO.
752	101-2RS-1	JERSEY	438	203
CONTRACT NO. 76789				
ILLINOIS FED. AID PROJECT				