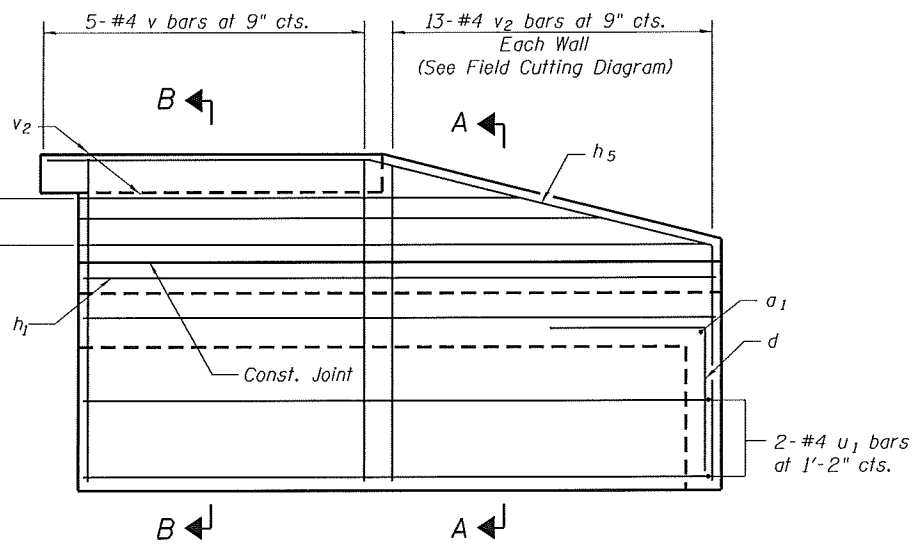
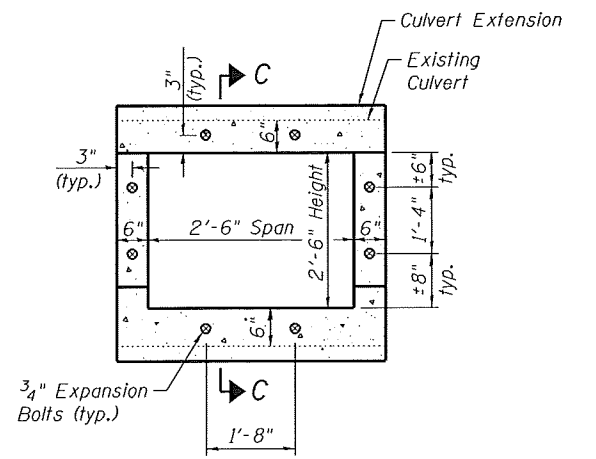


LEFT EXTENSION



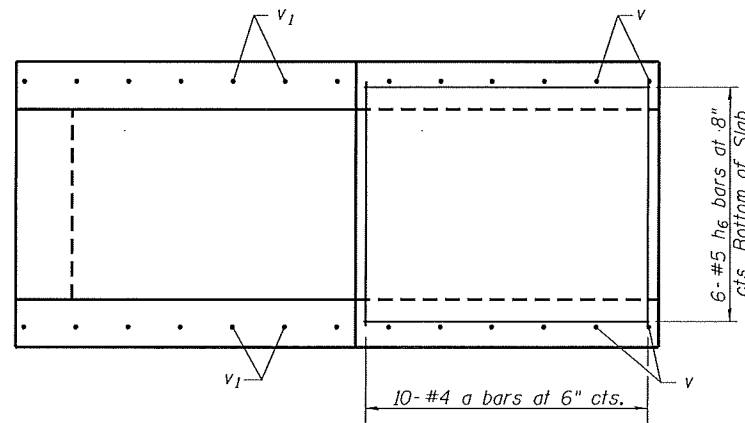
RIGHT EXTENSION

ELEVATION
(Showing Reinforcement)

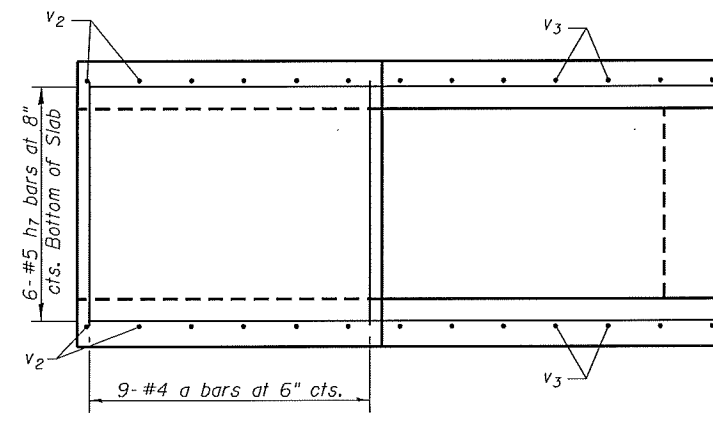


Note - Expansion Bolts shall be 3/4" hooked bolts. Hooked bolts shall extend a minimum of 9" into the new concrete

EXPANSION BOLT LAYOUT

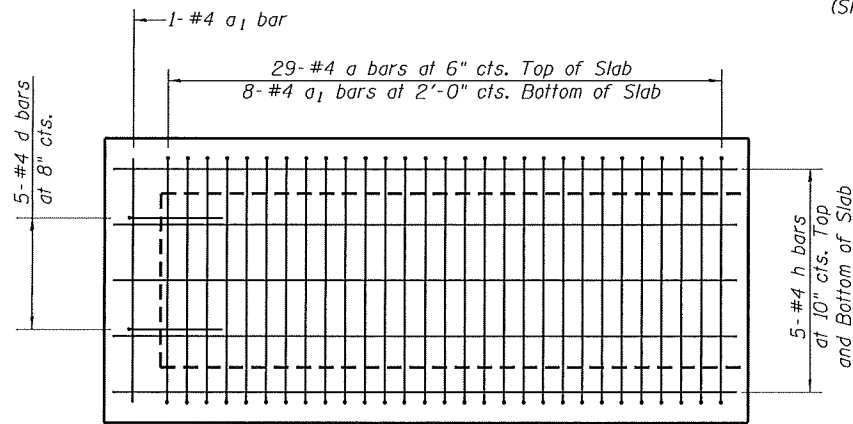


LEFT EXTENSION

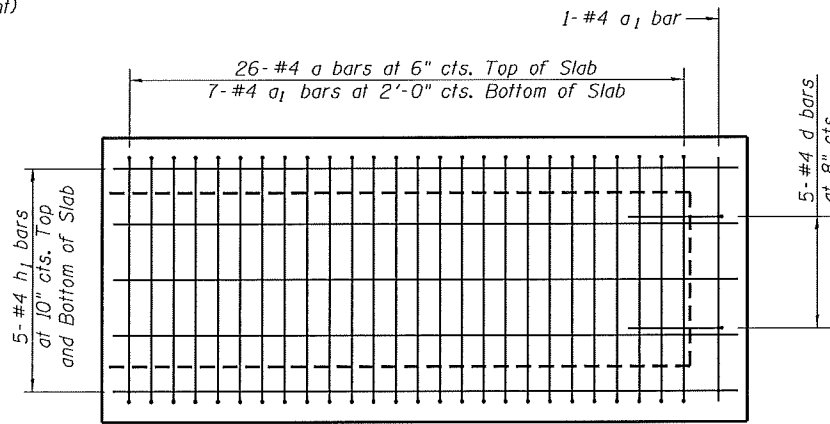


RIGHT EXTENSION

TOP SLAB
(Showing Reinforcement)

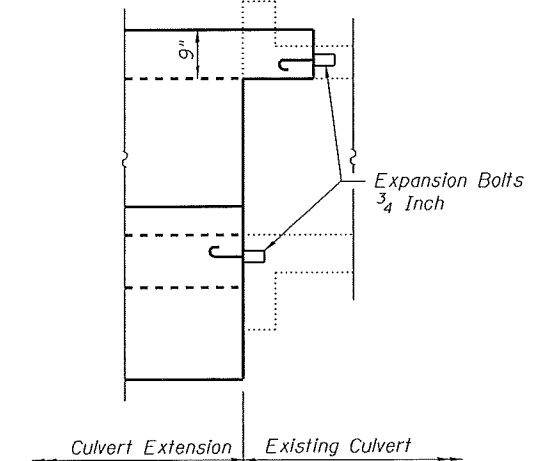


LEFT EXTENSION



RIGHT EXTENSION

BOTTOM SLAB
(Showing Reinforcement)



SECTION C-C

Note:
For Sections A-A and B-B, see sheet 3 of 3.
For Bar Bends and Total Bill of Material, see sheet 3 of 3.

FILE NAME = 242+68.86-76789-002.dgn



| | | |
|--|---------------|-----------|
| USER NAME = jdirkelmann | DESIGNED - JD | REVISED - |
| Illinois Design Firm Number 184.001670 | CHECKED - BB | REVISED - |
| PLOT SCALE = | DRAWN - WS | REVISED - |
| PLOT DATE = 8/8/2014 | CHECKED - CJF | REVISED - |

STATE OF ILLINOIS
DEPARTMENT OF TRANSPORTATION

BOX CULVERT EXTENSION DETAILS,
STATION 242+68.86

SHEET NO. 2 OF 3 SHEETS

| | | | | |
|---------------------------|-----------|--------|--------------------|-----------|
| F.A.S. RTE. | SECTION | COUNTY | TOTAL SHEETS | SHEET NO. |
| 752 | 101-2RS-1 | JERSEY | 438 | 222 |
| ILLINOIS FED. AID PROJECT | | | CONTRACT NO. 76789 | |