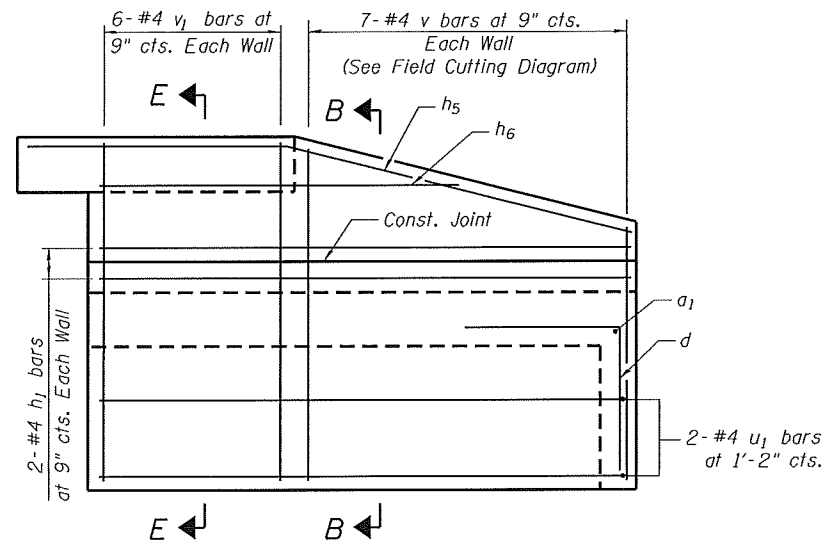
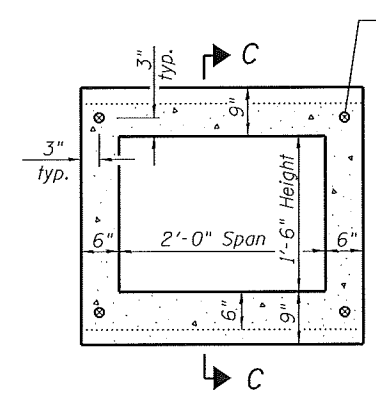


LEFT EXTENSION

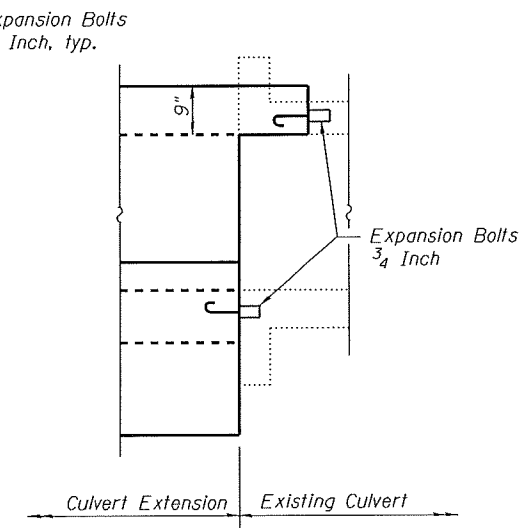


RIGHT EXTENSION

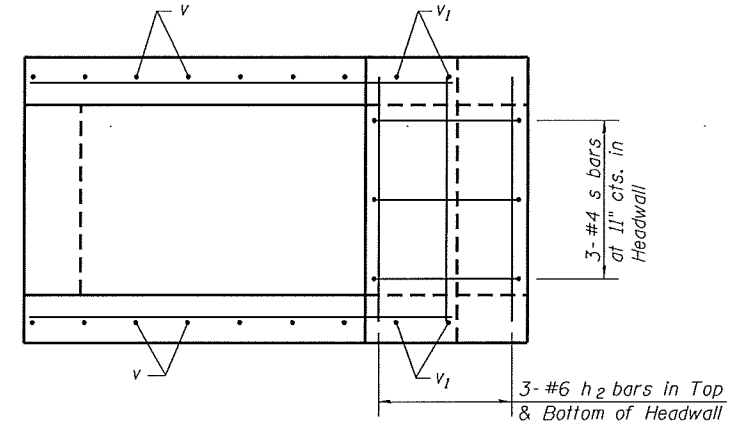
ELEVATION
(Showing Reinforcement)



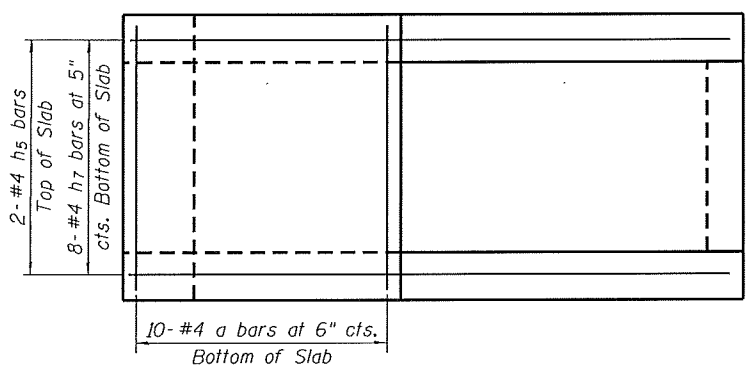
LEFT EXTENSION EXPANSION BOLT LAYOUT



SECTION C-C

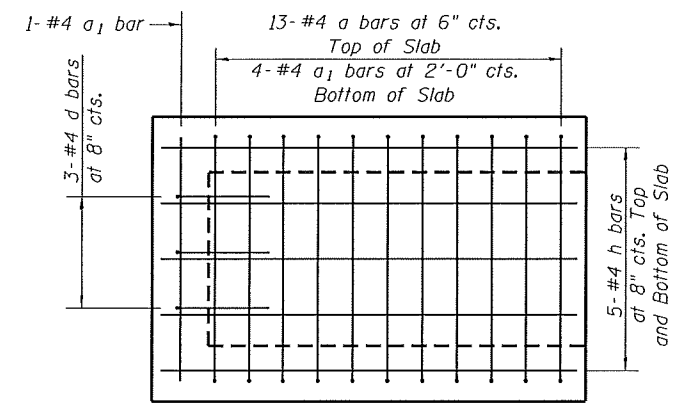


LEFT EXTENSION

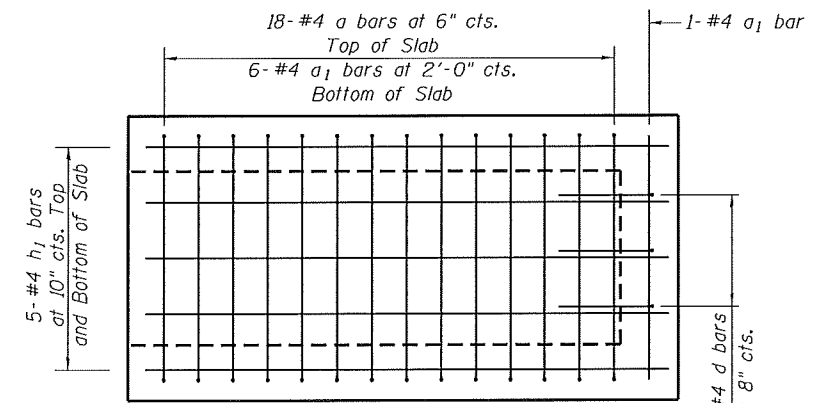


RIGHT EXTENSION

TOP SLAB
(Showing Reinforcement)

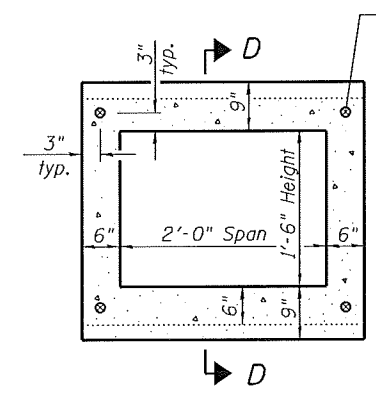


LEFT EXTENSION

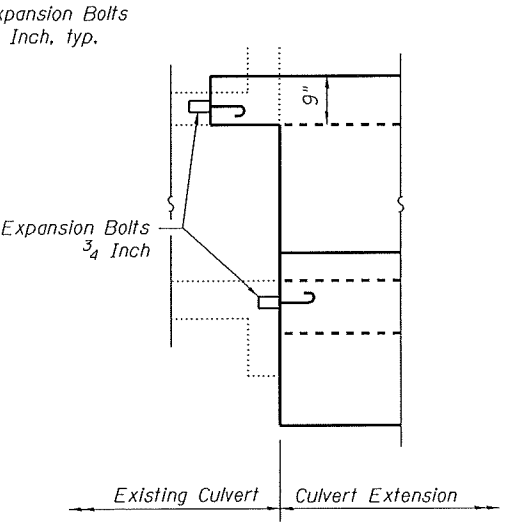


RIGHT EXTENSION

BOTTOM SLAB
(Showing Reinforcement)



RIGHT EXTENSION EXPANSION BOLT LAYOUT



SECTION D-D

Note:
For Section A-A, B-B, and E-E see Sheet 3 of 3.
For Bar Bend and Total Bill of Material, see Sheet 3 of 3.

FILE NAME = 275-57.76-76789-002.dgn



USER NAME = jdirke1mann	DESIGNED - JD	REVISED -
Illinois Design Firm Number 184.001670	CHECKED - BB	REVISED -
PLOT SCALE =	DRAWN - WS	REVISED -
PLOT DATE = 8/8/2014	CHECKED - CJF	REVISED -

STATE OF ILLINOIS
DEPARTMENT OF TRANSPORTATION

BOX CULVERT EXTENSION DETAILS,
STATION 275 + 57.76

SHEET NO. 2 OF 3 SHEETS

F.A.S. RTE. 752	SECTION 101-2RS-1	COUNTY JERSEY	TOTAL SHEETS 438	SHEET NO. 225
CONTRACT NO. 76789				
ILLINOIS FED. AID PROJECT				