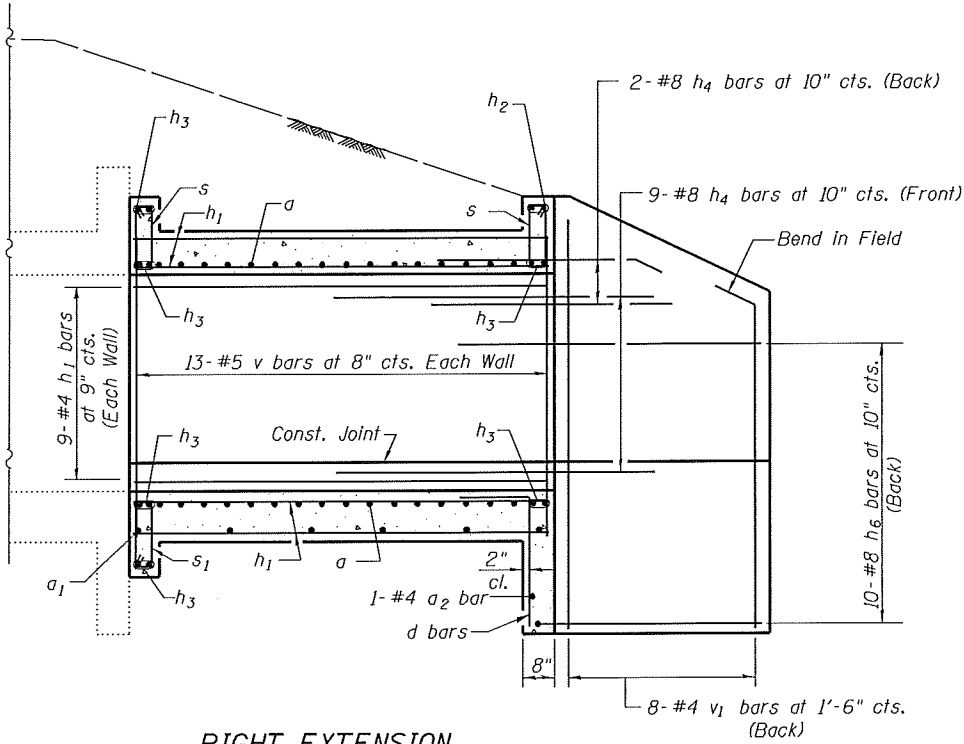
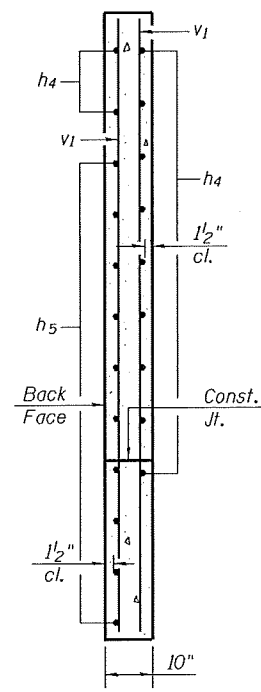


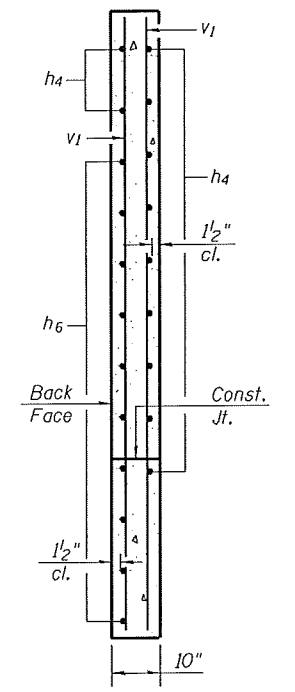
LEFT EXTENSION



RIGHT EXTENSION

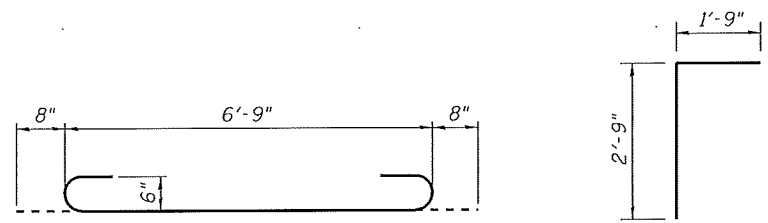


SECTION C-C



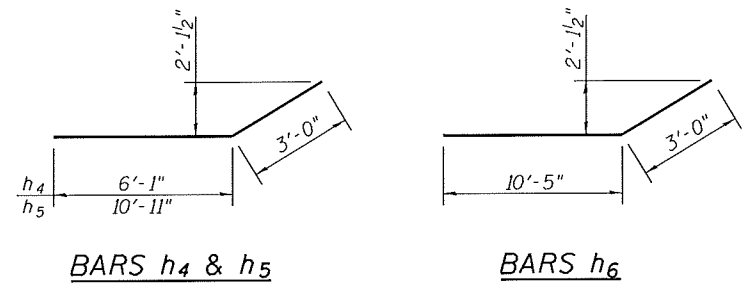
SECTION D-D

ELEVATION
Dimensions at Rt. L's to ∇ Roadway



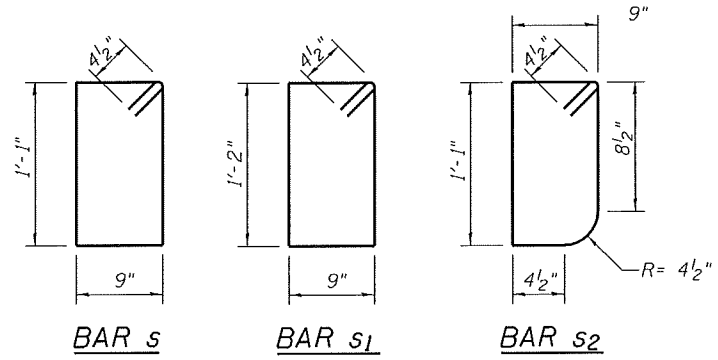
BAR a

BAR d



BARS h4 & h5

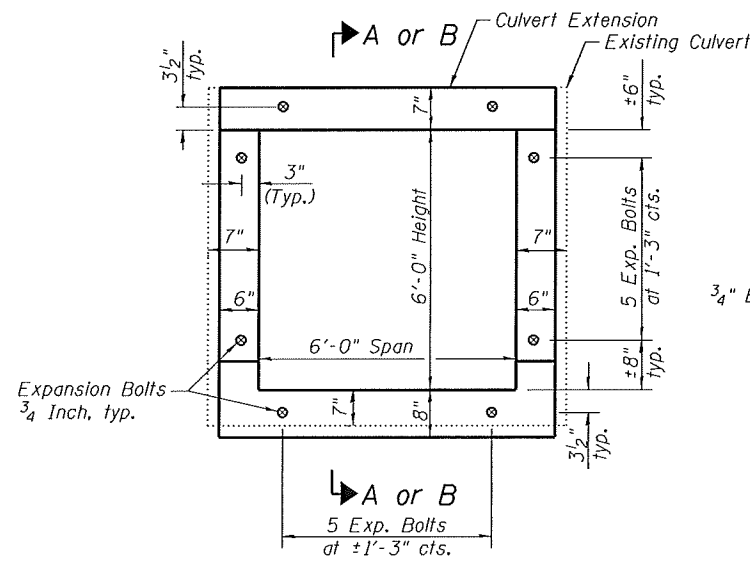
BARS h6



BAR s

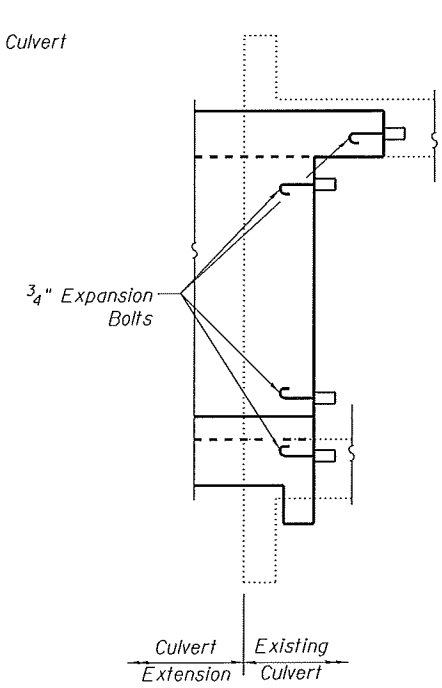
BAR s1

BAR s2

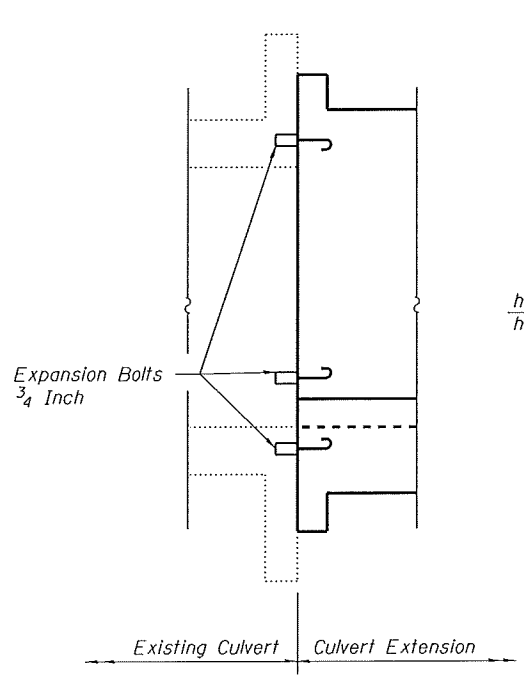


EXPANSION BOLT LAYOUT

Note - Expansion Bolts shall be 3/4" hooked bolts. Hooked bolts shall extend a minimum of 9" into the new concrete



SECTION B-B



SECTION A-A

TOTAL BILL OF MATERIAL

Bar	No.	Size	Length	Shape
a	60	#6	8'-1"	
a1	13	#4	6'-9"	
a2	2	#4	6'-10"	
d	14	#4	4'-6"	
h	15	#4	13'-3"	
h1	49	#4	7'-9"	
h2	4	#6	6'-3"	
h3	20	#6	6'-9"	
h4	44	#8	9'-1"	
h5	20	#8	13'-11"	
h6	20	#8	13'-5"	
h7	34	#4	12'-6"	
s	16	#4	4'-5"	
s1	16	#4	4'-7"	
s2	8	#4	4'-3"	
v	70	#5	6'-11"	
v1	36	#4	10'-0"	
Concrete Removal			Cu. Yd.	9.5
Reinforcement Bars			Pound	5,150
Expansion Bolts 3/4 Inch			Each	40
Concrete Box Culverts			Cu. Yd.	25.6
Epoxy Crack Injection			Foot	6

FILE NAME = 300-01.62-76789-003.dgn



USER NAME = jdirkeImann
Illinois Design Firm Number 184.001670
PLOT SCALE =
PLOT DATE = 8/8/2014

DESIGNED - JD
CHECKED - BB
DRAWN - WS
CHECKED - CJF

REVISED -
REVISED -
REVISED -
REVISED -

STATE OF ILLINOIS
DEPARTMENT OF TRANSPORTATION

BOX CULVERT EXTENSION DETAILS
STRUCTURE NUMBER 042-2473

SHEET NO. 3 OF 4 SHEETS

F.A.S. RTE.	SECTION	COUNTY	TOTAL SHEETS	SHEET NO.
752	101-2RS-1	JERSEY	438	232
CONTRACT NO. 76789				
ILLINOIS FED. AID PROJECT				