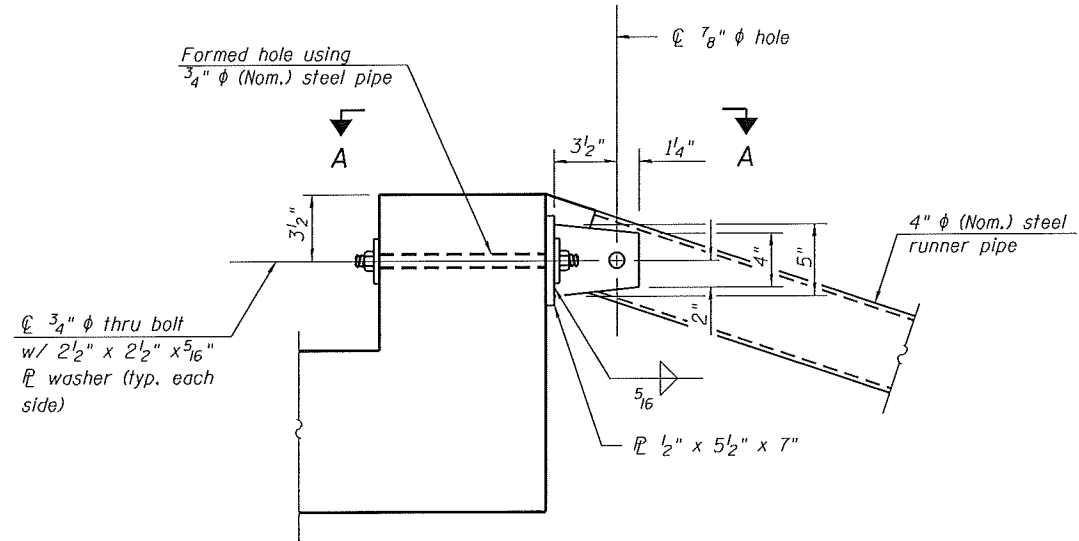
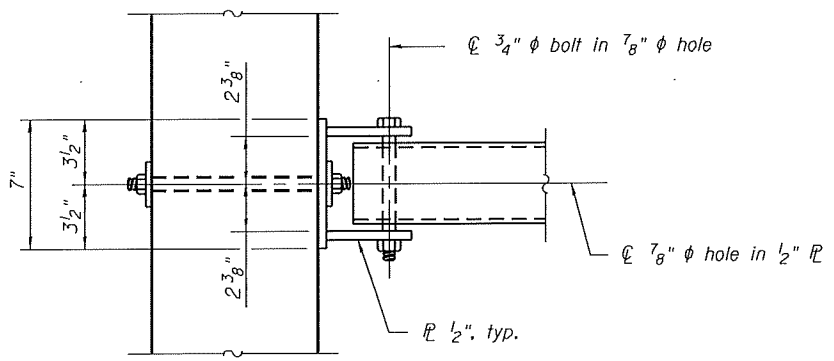


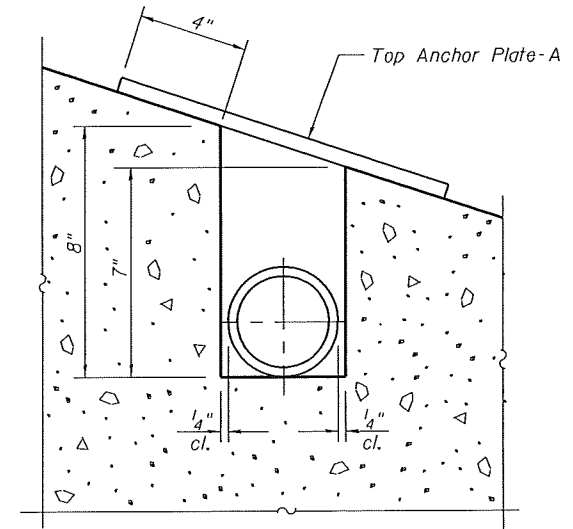
CULVERT GRATE
(2 - required)



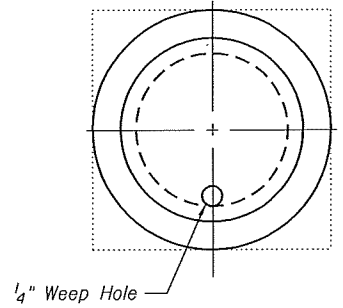
DETAIL A



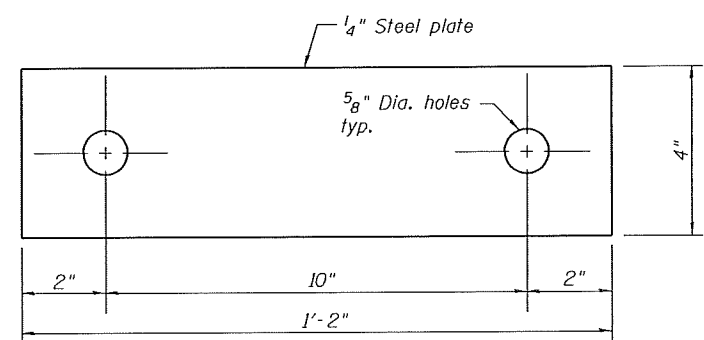
VIEW A-A



DETAIL B



VIEW B-B



TOP ANCHOR PLATE - A
(4 - required)

FILE NAME = 354+11.67-76789-004.dgn



USER NAME = jdyrkeimann	DESIGNED - JD	REVISED -
Illinois Design Firm Number 184.001670	CHECKED - BB	REVISED -
PLOT SCALE =	DRAWN - WS	REVISED -
PLOT DATE = 8/8/2014	CHECKED - CJF	REVISED -

STATE OF ILLINOIS
DEPARTMENT OF TRANSPORTATION

BOX CULVERT EXTENSION DETAILS
STATION 354+11.67

SHEET NO. 4 OF 4 SHEETS

F.A.S. RTE. 752	SECTION 101-2RS-1	COUNTY JERSEY	TOTAL SHEETS 438	SHEET NO. 253
CONTRACT NO. 76789				
ILLINOIS FED. AID PROJECT				