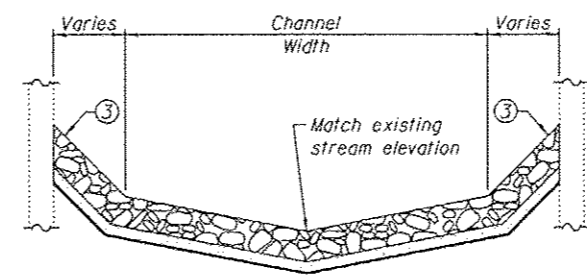
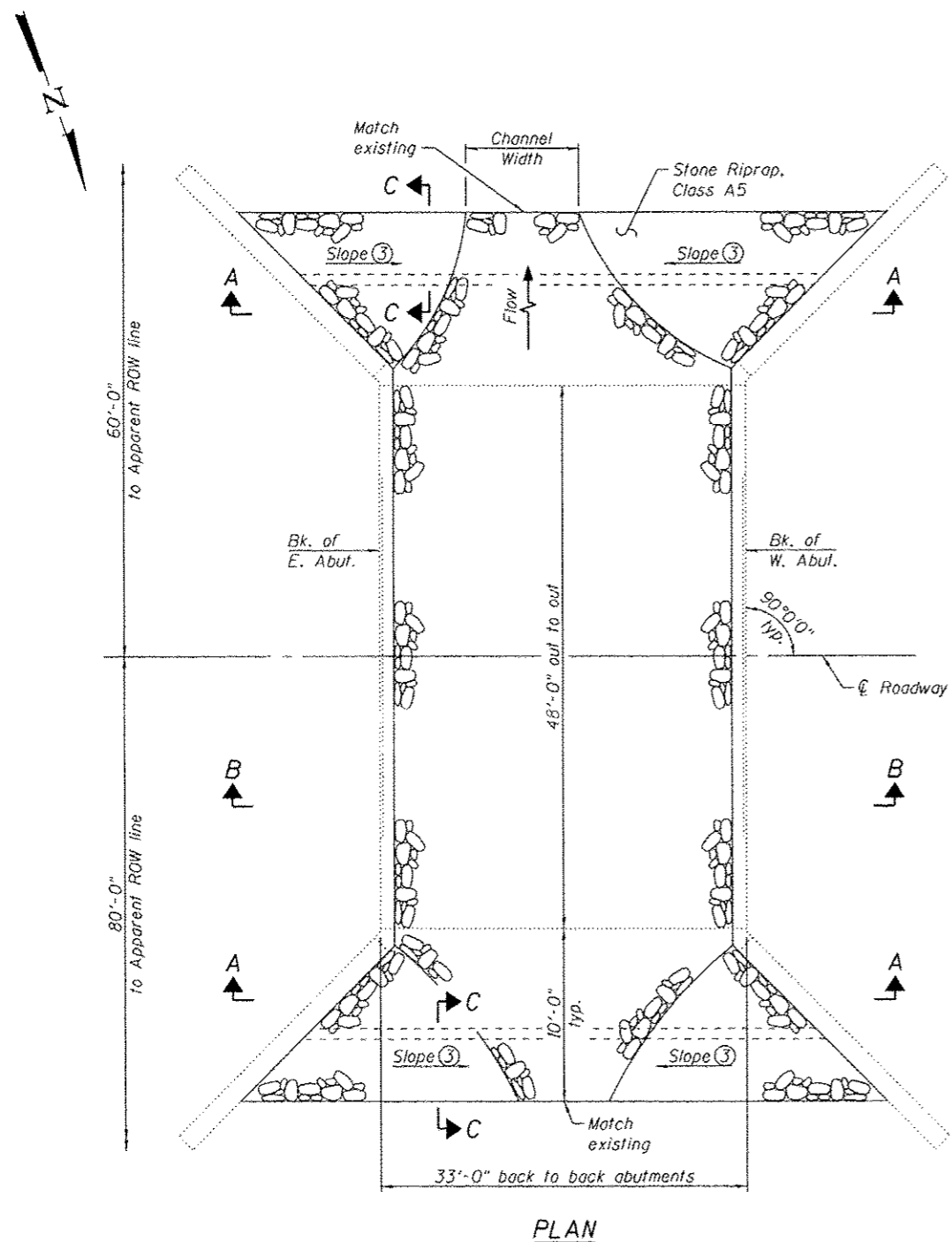
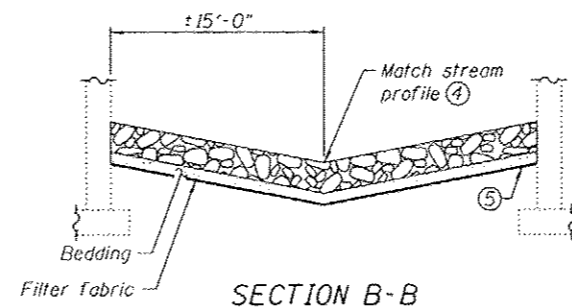


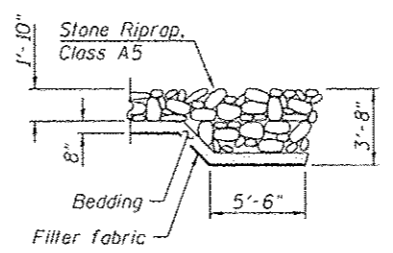
Existing Structure: S.N. 082-0106 consists of a single span slab superstructure supported on concrete closed abutments founded on spread footings.



SECTION A-A



SECTION B-B



SECTION C-C

- Notes:
- ① The Contractor shall field verify existing dimensions, details, and conditions affecting new construction and make necessary approved adjustments prior to construction or ordering of materials. Such variations shall not be cause for additional compensation for a change in scope of the work, however, the Contractor will be paid for the quantity actually furnished based upon the unit price bid for the work.
 - ② Layout of the slope protection system may be varied to suit ground conditions in the field as directed by the Engineer. Slope protection system shall be placed in a manner that does not reduce the total waterway opening.
 - ③ Grade channel bank to a slope that will provide a stable base for riprap as directed by the Engineer. Cost included in Channel Excavation.
 - ④ Grade streambed so that the top of the Stone Riprap approximately matches the existing stream profile as directed by the Engineer. Cost included in Channel Excavation.
 - ⑤ At the abutment face, the filter fabric shall not be lower than the top of footing.
 - ⑥ Additional excavation and reshaping of channel and bank may be required to facilitate proper placement of Stone Riprap as directed by the Engineer.
 - ⑦ Channel Excavation shall include the cost of removing and disposing of existing riprap, brick, block, rubble, or other material as encountered.
 - ⑧ Contractor to locate existing underground utilities. Where existing underground utilities conflict with riprap placement, the Contractor shall adjust the layout as directed by the Engineer.
 - ⑨ Vertical clearance from streambed to bottom of superstructure is approximately 11'. Elevation view shown as of February 3, 2014. Actual conditions may vary.
 - ⑩ Estimated quantities. Actual quantities to be determined in the field.



ELEVATION VIEW ⑨
(Looking South)

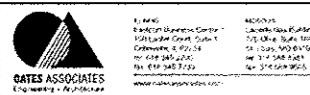
TOTAL BILL OF MATERIAL ⑩

CODE NO.	ITEM	UNIT	TOTAL
20300100	Channel Excavation	Cu. Yd.	25
28100109	Stone Riprap, Class A5	Sq. Yd.	255
28200200	Filter Fabric	Sq. Yd.	255

DANIEL GEORGE LUZZI
062-060383
LICENSED PROFESSIONAL ENGINEER OF ILLINOIS

DATE: 8/15/2014
EXPIRATION: 11/30/2017

IL ROUTE 15 OVER DRUM CREEK
STRUCTURE NO. 082-0106



USER NAME	DESIGNED - MAG	REVISIONS
	CHECKED - JAD	REVISIONS
PLOT SCALE	DRAWN - MAG	REVISIONS
PLOT DATE	CHECKED - JAD	REVISIONS

STATE OF ILLINOIS
DEPARTMENT OF TRANSPORTATION

F.A. RTE.	SECTION	COUNTY	TOTAL SHEETS	SHEET NO.
		ST. CLAIR	10	8
			CONTRACT NO. 76H43	
ILLINOIS FED. AID PROJECT				