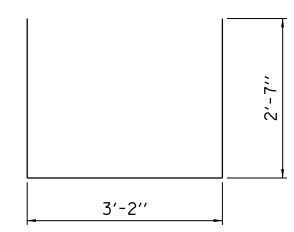
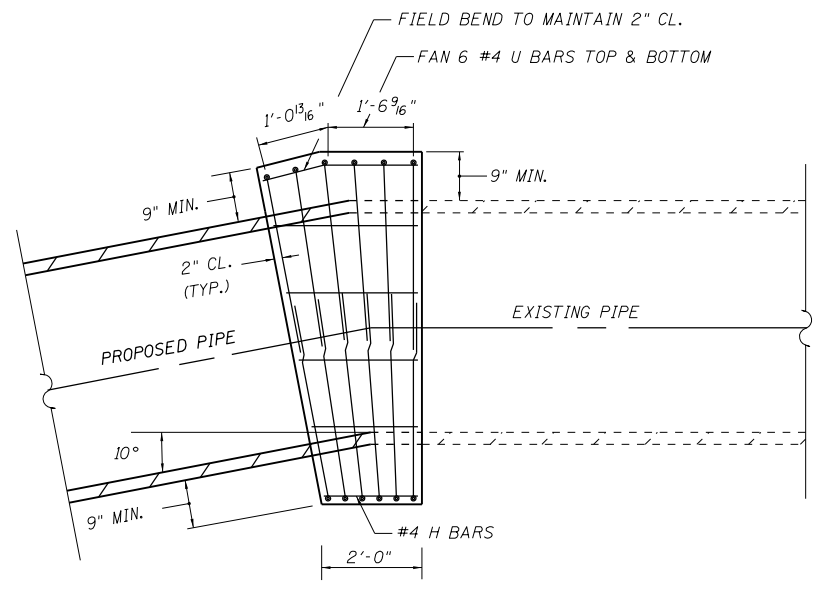


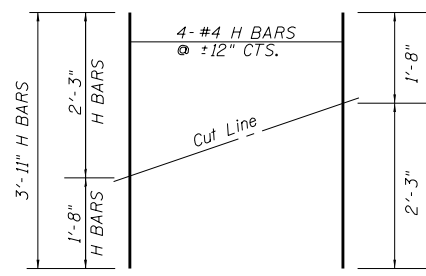
SECTION VIEW



U BAR



ELEVATION VIEW



FIELD CUTTING DIAGRAM

ORDER H BARS FULL LENGTH. CUT AS SHOWN AND USE REMAINDER OF BARS ON OPPOSITE SIDE.

**BILL OF MATERIALS**

Bar	No.	Size	Length	Shape
H	4	#4	3'-11"	—
H <sub>1</sub>	2	#4	2'-3"	—
H <sub>2</sub>	2	#4	1'-8"	—
U	12	#4	8'-4"	U
Concrete Collar			Cu Yd	0.9
Reinforcement Bars			Pound	83*

\* FOR INFORMATION ONLY. INCLUDED IN COST OF CONCRETE COLLAR.

**NOTES:**

- COST FOR STRUCTURE EXCAVATION WILL NOT BE PAID FOR SEPARATELY BUT SHALL BE INCLUDED IN THE UNIT BID PRICE FOR CONCRETE COLLAR.
- THE CONCRETE COLLAR SHALL BE PAID FOR AT THE CONTRACT UNIT PRICE PER CUBIC YARD FOR CONCRETE COLLAR, AS SHOWN ON THE PLANS, WHICH PRICE SHALL INCLUDE THE CUTTING OF EXISTING AND NEW PIPE AS MAY BE REQUIRED.

**CONCRETE COLLAR FOR PIPE CONNECTION DETAIL**

N.T.S.

FILE NAME = D978210-sht-detail.dgn  
 MODEL = Default  
 PLOT DRIVER = IODOT\_PDF.plt



USER NAME = twalker	DESIGNED - MCV	REVISED -
FILE NAME = D978210-sht-details.dgn	DRAWN - CMM	REVISED -
PLOT SCALE = 30.00000' / in.	CHECKED - MTM	REVISED -
PLOT DATE = 5/29/2014	DATE - 4/25/2014	REVISED -

STATE OF ILLINOIS  
 DEPARTMENT OF TRANSPORTATION

CONCRETE COLLAR DETAIL

SCALE: N.T.S. SHEET NO. 1 OF 1 SHEETS STA. TO STA.

F.A.P. RTE.	SECTION	COUNTY	TOTAL SHEETS	SHEET NO.
849	113B-1	JEFFERSON	36	17
CONTRACT NO. 78210				
ILLINOIS FED. AID PROJECT				