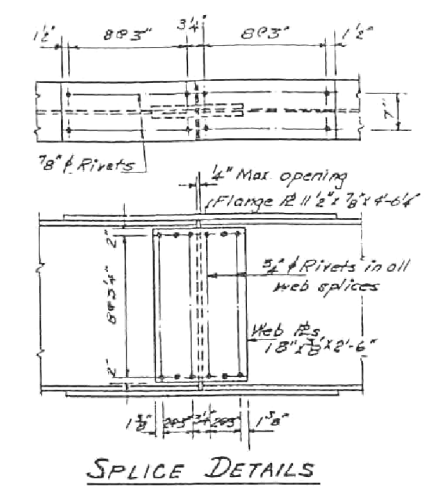
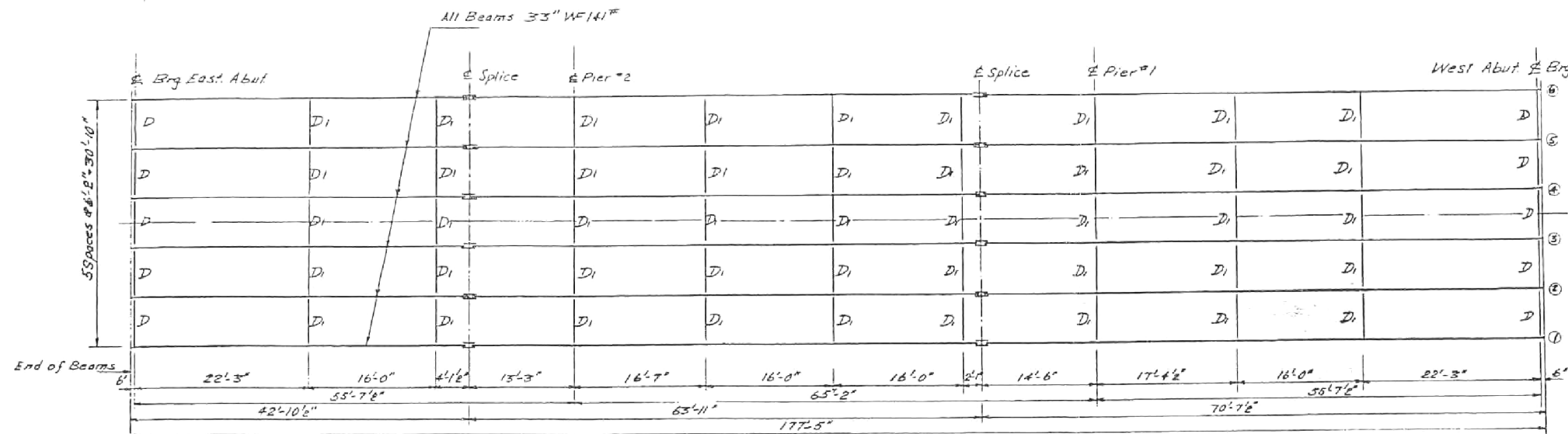
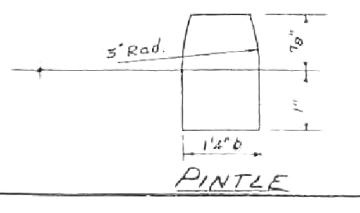
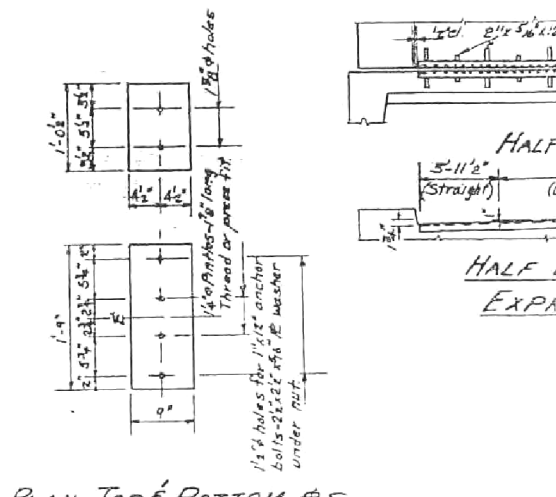
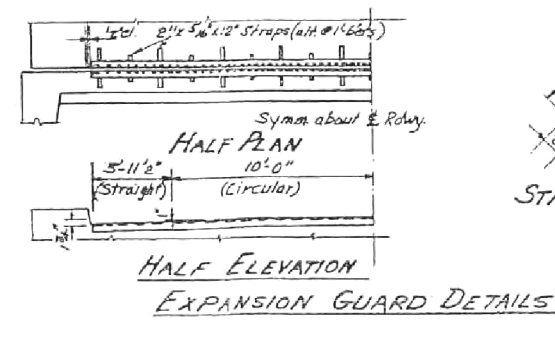
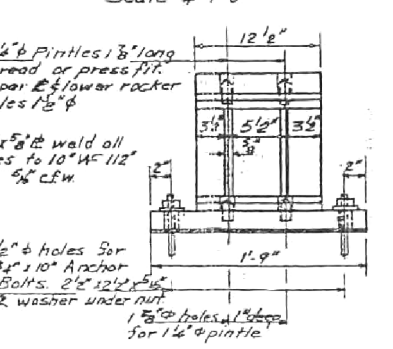
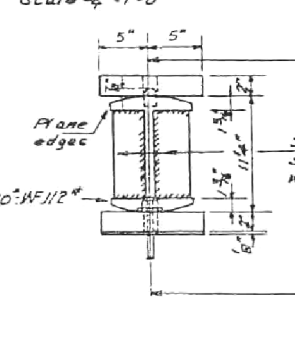
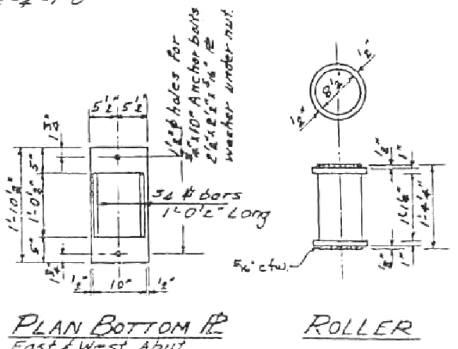
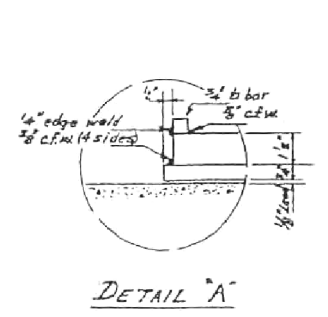
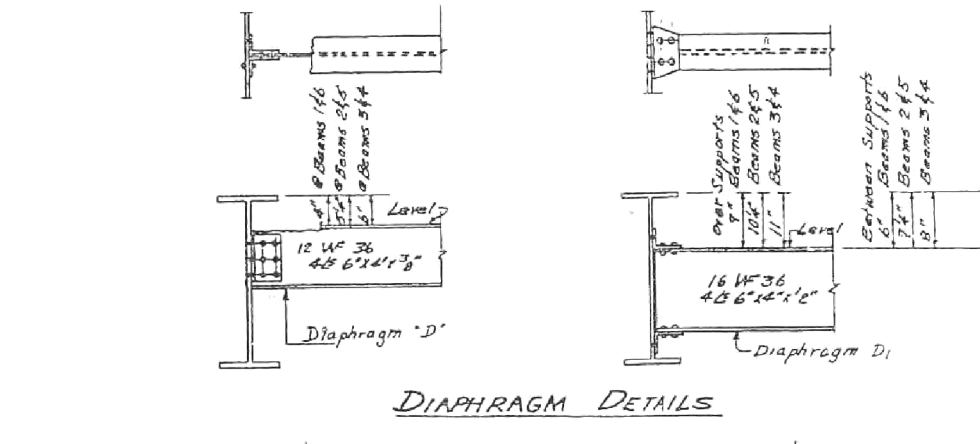
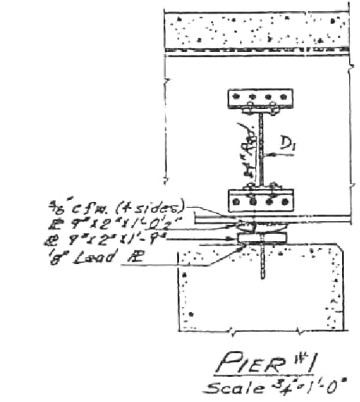
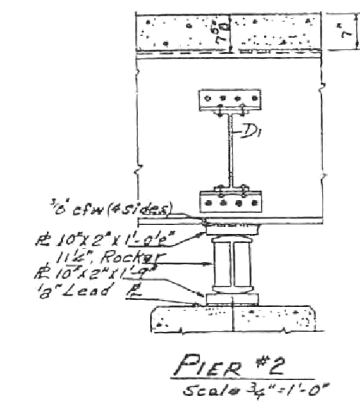
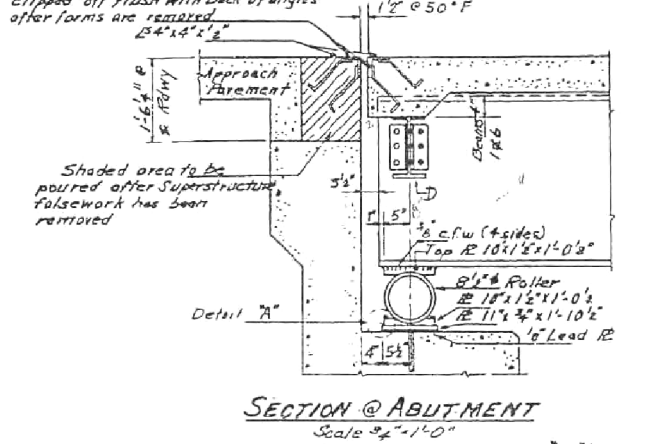


SECTION	COUNTY	TOTAL SHEETS	SHEET NO.	SHEETS
113	White	11	8	8



7/8" holes @ 12" cts for 3/4" bolts. All bolts shall be burned, sawed or clipped off flush with back of angles after forms are removed.



STRUCTURAL STEEL  
FA RTE 113 SECTION 100B  
WHITE COUNTY  
STA 48+70

DESIGNED: M.G. Carroll  
CHECKED: How Shaw  
DRAWN: M. G. Carroll  
CHECKED: How Shaw  
APPROVED: M. G. Carroll

EXAMINED: [Signature]  
PASSED: [Signature]  
APPROVED: [Signature]

DESIGNED - MCV  
DRAWN - CMM  
CHECKED - MTM  
DATE

USER NAME = twalker  
FILE NAME = D978231-sht-existingstructure.dgn  
PLOT SCALE = 48.0000 1/ in.  
PLOT DATE = 7/8/2014

STATE OF ILLINOIS  
DEPARTMENT OF TRANSPORTATION

EXISTING STRUCTURE PLANS  
FOR INFORMATION ONLY

SCALE: NONE  
SHEET NO. 5 OF 8 SHEETS  
STA. TO STA.

F.A.P. RTE.	SECTION	COUNTY	TOTAL SHEETS	SHEET NO.
877	100B-1	WHITE	54	44

CONTRACT NO. 78231  
ILLINOIS FED. AID PROJECT

FILE NAME = D978231-sht-existingstructure.dgn  
MODEL = Default  
PLOT DRIVER = ILOT\_PDF.plt.ctb

QUIGG ENGINEERING INC