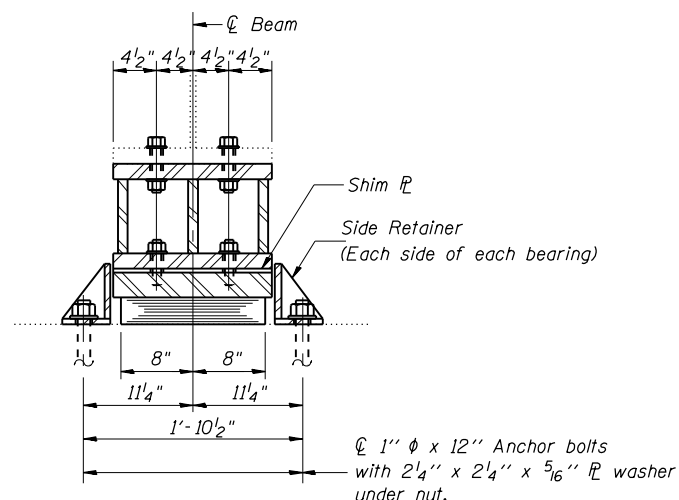


ELEVATION AT ABUT.

TYPE I ELASTOMERIC EXP. BRG.



SECTION A-A

Notes:

Anchor bolts shall be ASTM F1554 all-thread (or an Engineer-approved alternate material) of the grade(s) and diameter(s) specified. ASTM A307 Grade C anchor bolts may be used in lieu of ASTM F1554 Grade 36 (fy=36ksi). The corresponding specified grade of AASHTO M314 anchor bolts may be used in lieu of ASTM F1554.

Drilled and set anchor bolts shall be installed according to Article 521.06 of the Standard Specifications.

Side retainers and other steel members required for the bearing assembly shall be included in the cost of Elastomeric Bearing Assembly, Type I.

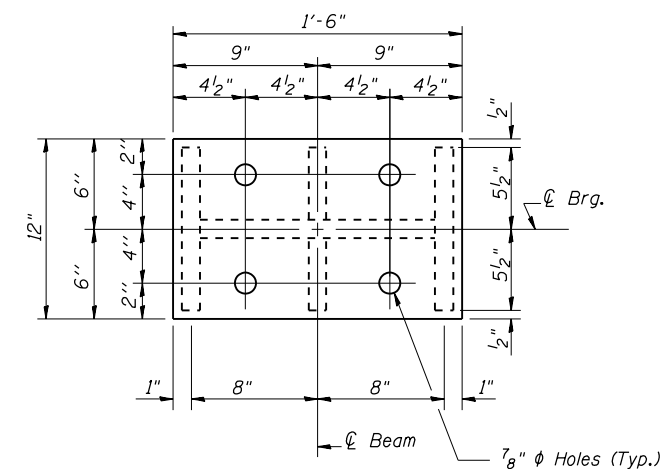
The minimum jack capacity required is 60 Tons.

Existing cross frame removal and reinstallation may be required to facilitate drilling holes, cost to be included with "Jack and Remove Existing Bearings".

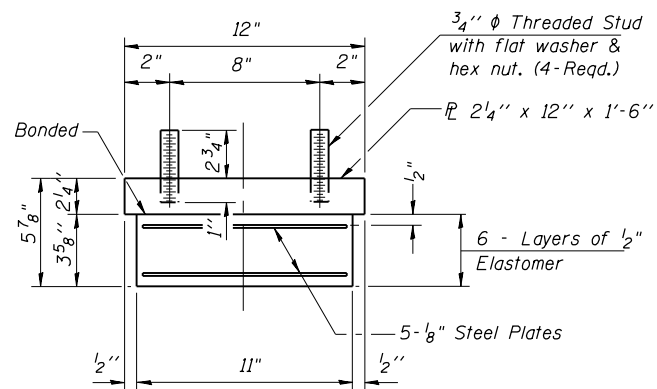
Prior to ordering any material, the Contractor shall verify in the field all bearing height and shim thickness dimensions.

Two 1/8 in. adjusting shims shall be provided for each bearing in addition to all other plates or shims and placed as shown on bearing details.

New steel extensions, connection bolts, Shim P's are included in "Furnishing and Erecting Structural Steel".



PLAN-TOP & BOTTOM PLATE

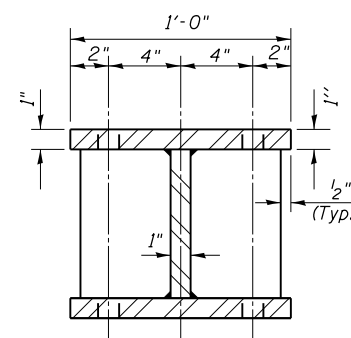


BEARING ASSEMBLY

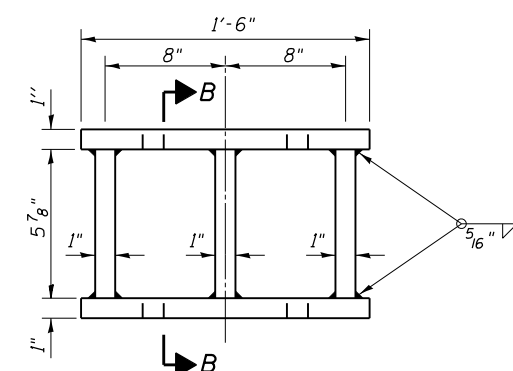
Note: Shim plates shall not be placed under Bearing Assembly.

GIRDER REACTIONS

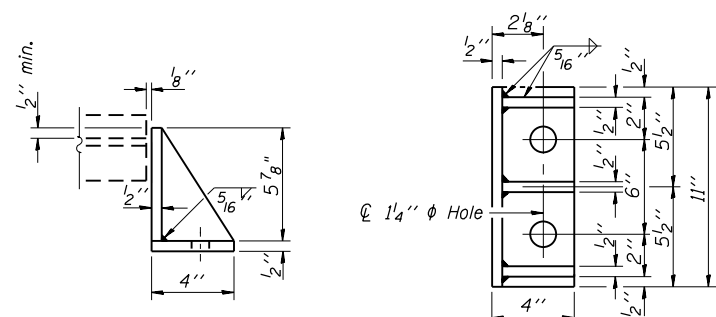
EAST ABUTMENT		
R _D	(K)	78.4
R _L	(K)	56.4
Imp.	(K)	11.6
R (Total)	(K)	146.4



SECTION B-B

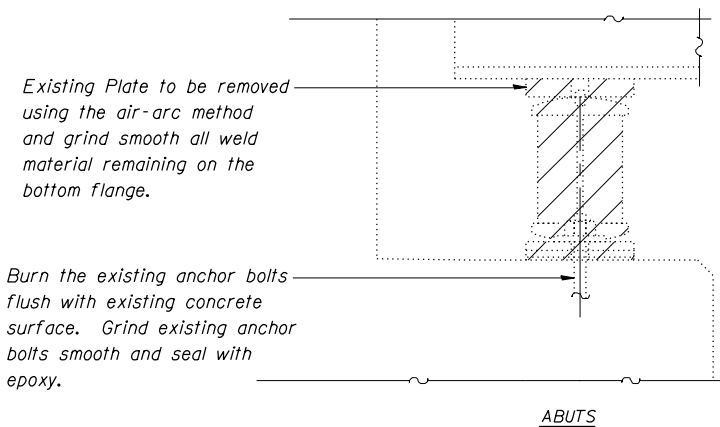


STEEL EXTENSION DETAIL



SIDE RETAINER

Equivalent rolled angle with stiffeners will be allowed in lieu of welded plates.



EXISTING BEARING REMOVAL DETAIL

Cost is included with Jack and Remove Existing Bearings

BILL OF MATERIAL EAST ABUT.

Item	Unit	Total
Elastomeric Bearing Assembly Type I	Each	4
Anchor Bolts, 1"	Each	16
Jack and Remove Existing Bearings	Each	4
Furnishing and Erecting Structural Steel	Pound	890

BEARING DETAILS EAST ABUTMENT STRUCTURE NO. 100-0059

FILE NAME =	USER NAME = Dahmer.ja	DESIGNED -	REVISED -
ei:\pw\work\p\idot\dahmer.ja\10387649\78424-sh-t-plan.dgn		DRAWN -	REVISED -
Default	PLOT SCALE = 100.0000' / in.	CHECKED -	REVISED -
	PLOT DATE = 8/15/2014	DATE -	REVISED -

STATE OF ILLINOIS DEPARTMENT OF TRANSPORTATION

BEARING DETAIL EAST ABUTMENT

SCALE: SHEET 5 OF 8 SHEETS STA. TO STA.

F.A.I. RTE.	SECTION	COUNTY	TOTAL SHEETS	SHEET NO.
24	D9 CM BRIDGE REP. 2015-1	WILLIAMSON	19	13
			CONTRACT NO. 78424	
ILLINOIS FED. AID PROJECT				