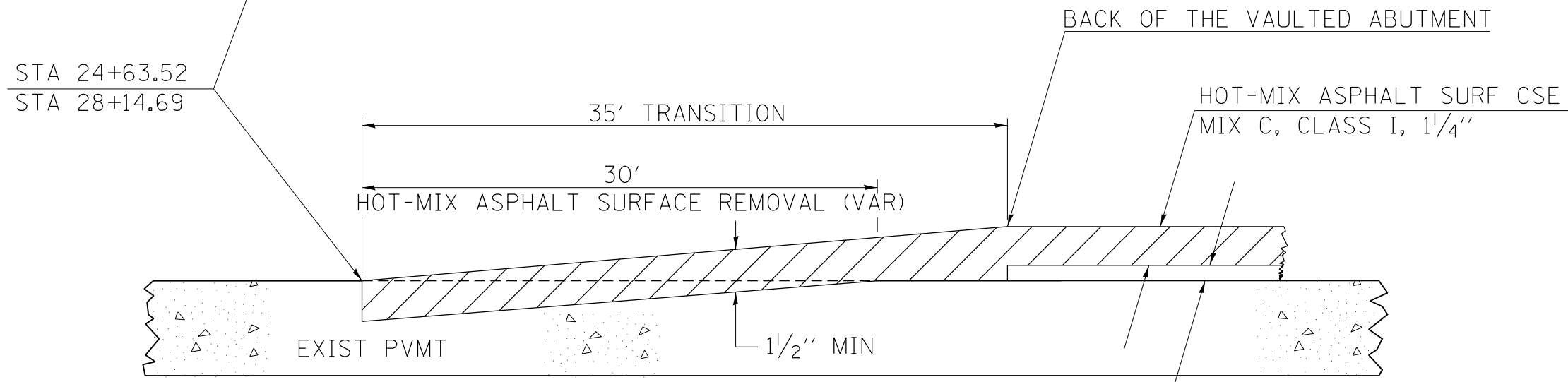
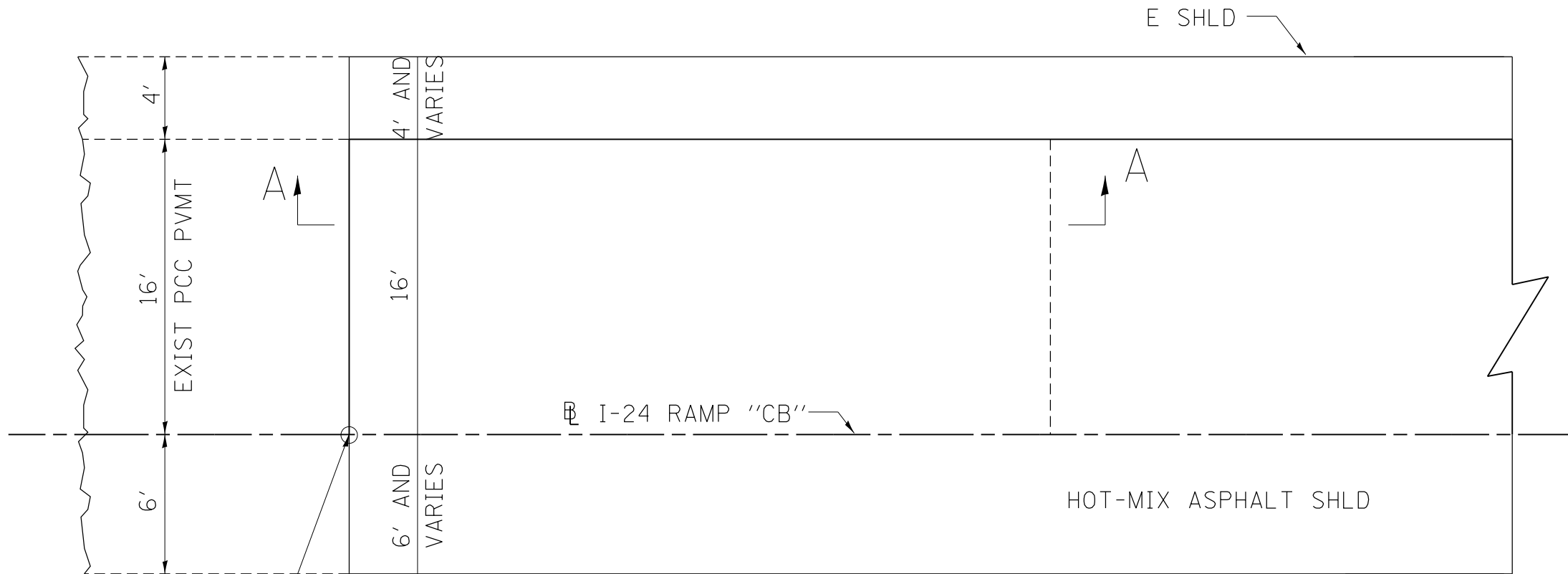


BUTT JOINT



SECTION A-A

REVISIONS	
DRAWN	10-17-90
REVISED	01-11-07
REVISED	3-25-08
REVISED	5-17-13

STD. 9-86

FILE NAME =	USER NAME = Dahmer.ja	DESIGNED -	REVISED -	STATE OF ILLINOIS DEPARTMENT OF TRANSPORTATION	BUTT JOINT DETAIL	SCALE:	SHEET OF SHEETS	STA. TO STA.	F.A.I. RTE. SECTION COUNTY TOTAL SHEETS SHEET NO.
c:\pw\work\p1dot\dahmer.ja\d0387649\78424-sh1-plan.dgn	PLOT SCALE = 100.0000' / in.	DRAWN -	REVISED -			24 09 CM BRIDGE REP. 2015-1 WILLIAMSON 19 17			
Default	PLOT DATE = 8/15/2014	CHECKED -	REVISED -			CONTRACT NO. 78424			
		DATE -	REVISED -			ILLINOIS FED. AID PROJECT			