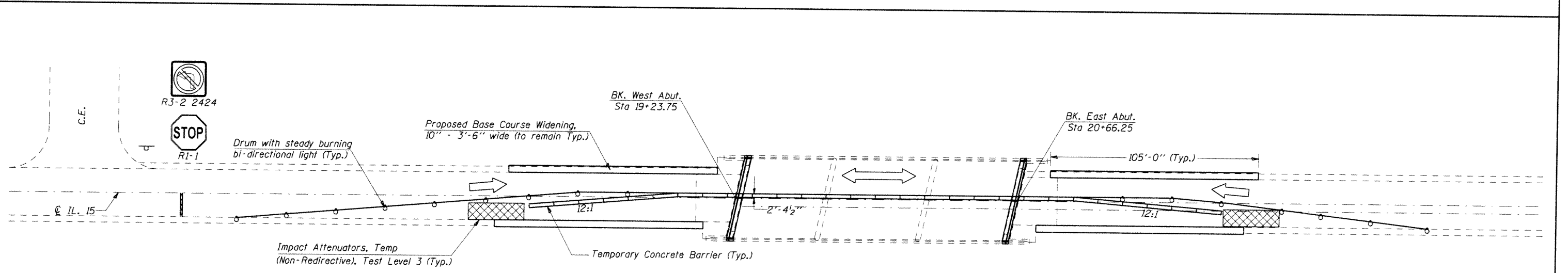


STAGE I TRAFFIC

Notes:
See Standard 701321 for additional details.



STAGE II TRAFFIC

Notes:
See Standard 701321 for additional details.

FILE NAME =	USER NAME = halsteadtw	DESIGNED -	REVISED -
at:\pw\work\p\p\dot\halsteadtw\d0398007\7432-sha-p\in.dgn	432-sha-p\in.dgn	DRAWN -	REVISED -
Default	PLOT SCALE = 58.0000 1/ in.	CHECKED -	REVISED -
	PLOT DATE = 7/30/2014	DATE -	REVISED -

**STATE OF ILLINOIS
DEPARTMENT OF TRANSPORTATION**

STAGING DETAILS

SCALE: SHEET OF SHEETS STA TO STA

* D9 CM BRIDGE REPAIR 2015-2				
F.A.P. RTE.	SECTION	COUNTY	TOTAL SHEETS	SHEET NO.
821	*	JEFFERSON	12	7
CONTRACT NO. 78432				