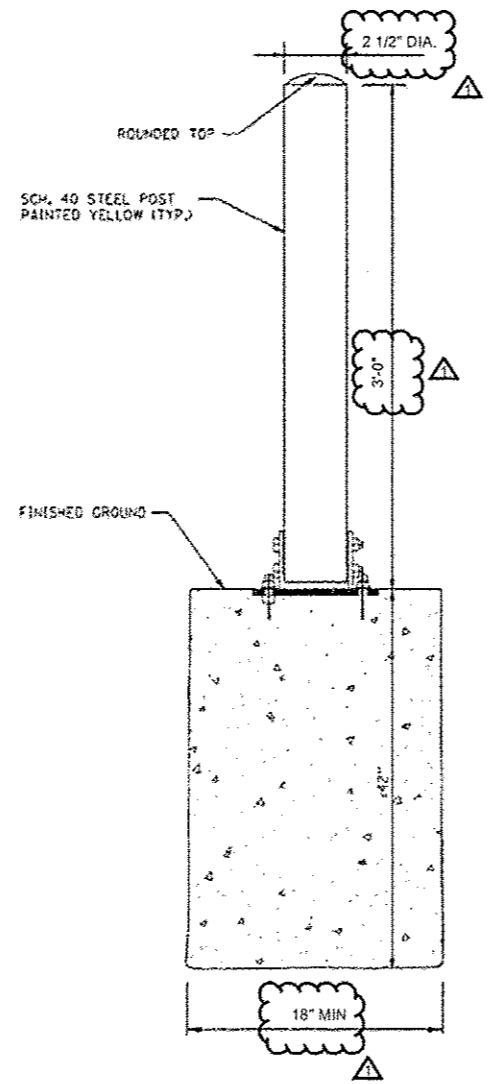
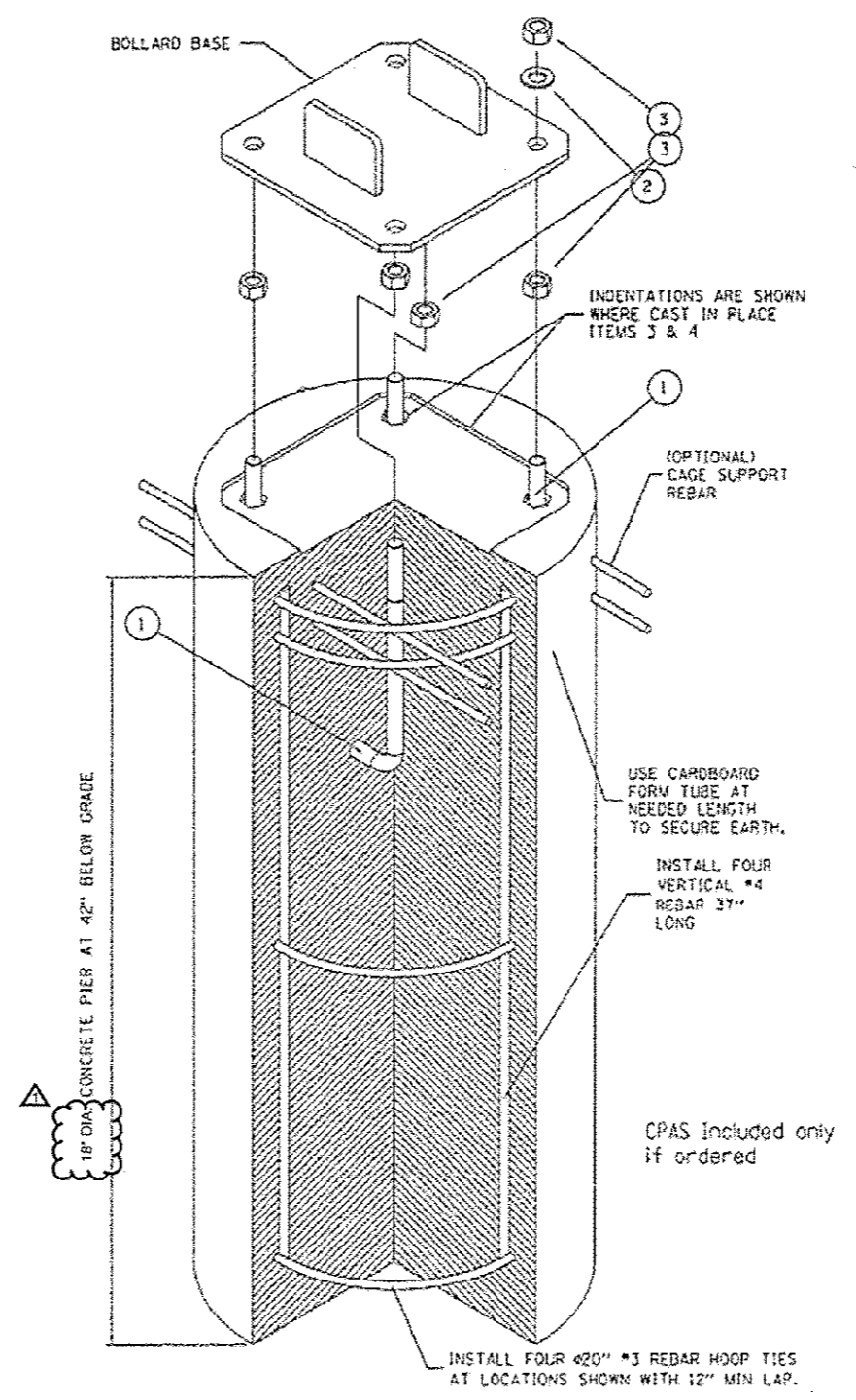


6" DIAMETER BOLLARD DETAIL



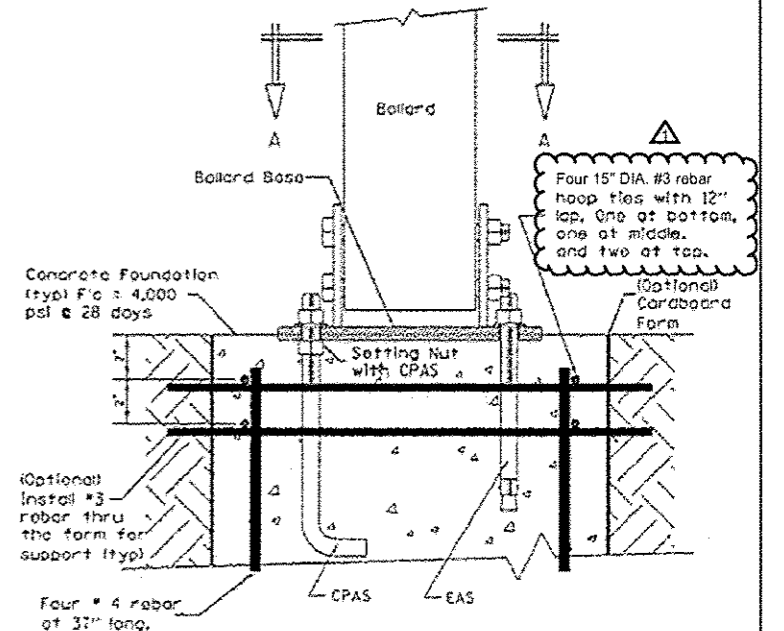
FOLD DOWN BOLLARD DETAIL



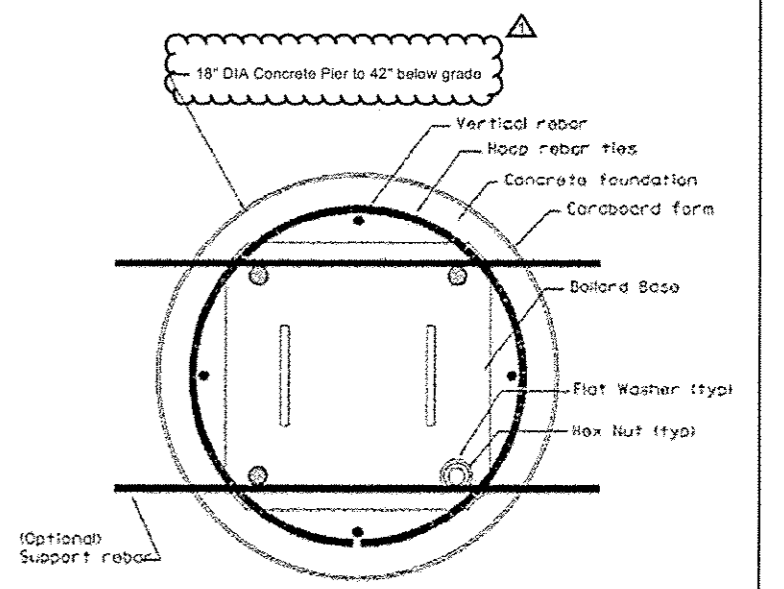
CONCRETE PIER ANCHOR SYSTEM (CPAS)

BILL OF MATERIAL		
ITEM PART #	DESCRIPTION	QTY.
9001	CPAS KIT - INCLUDES THE FOLLOWING PART NUMBERS	
1 0002	#3/4" x 12" TYPE L ANCHOR BOLT-H.D.C.	4
2 0007	#3/4" TYPE A FLAT NARROW WASHER GALVANIZED STEEL	4
3 0006	#3/4" HEX NUT GALVANIZED STEEL	8

NOTE: CONCRETE, FORM AND REBAR PROVIDED BY OTHERS



Front Elevation Section



Plan Section "A-A"

DESIGNED	DLC	8/19/2014
DRAWN	RLA	8/17/2014
CHECKED	DLC	8/17/2014
REVIEWED		

FILE NAME	USER NAME	DESIGNED	REVISED
\\p\me\pk\do_not_delete\237185\04	ander28840	- DLC	- 10/30/2014
		- RLA	-
		- DLC	-
		-	-
		-	-
		-	-

STATE OF ILLINOIS
DEPARTMENT OF TRANSPORTATION

CANTON PARK DISTRICT BICYCLE AND PEDESTRIAN TRAIL
BOLLARD DETAILS

F.A. RTE.	SECTION	COUNTY	TOTAL SHEETS	SHEET NO.
	10-P4002-00-BT	FULTON	95	55
CONTRACT NO. 89603				
ILLINOIS FED. AID PROJECT TED400115				