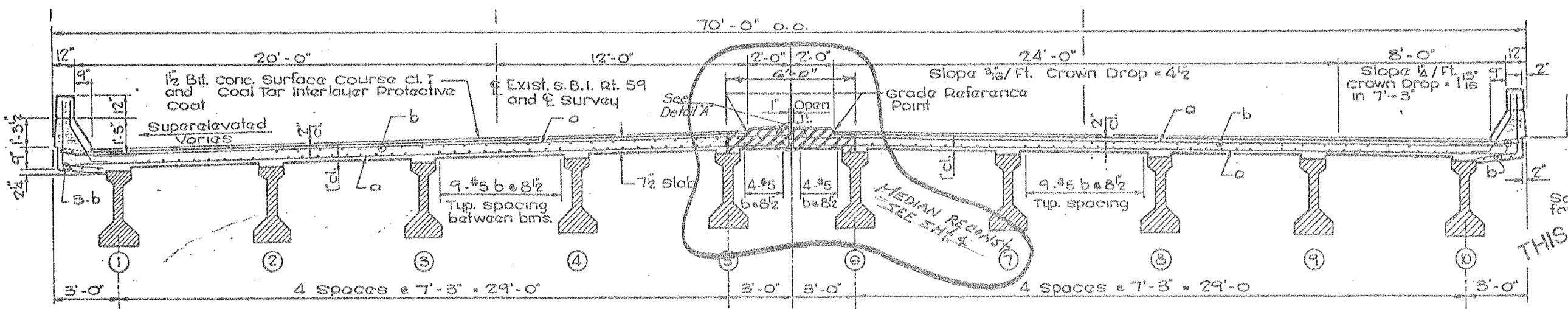


PLAN VIEW



NORTHBOUND LANES

TYPICAL CROSS SECTION

SOUTHBOUND LANES

FILE NAME : c:\pwwork\pwwork\gulloumefp\0388342\134814-shr-plan.dgn	USER NAME : gulloumefp	DESIGNED -	REVISED -	STATE OF ILLINOIS DEPARTMENT OF TRANSPORTATION	TYPICAL CROSS SECTION & DECK PLAN VIEW			ROUTE	SECTION	COUNTY	TOTAL SHEETS	SHEET NO.
	Default	PLOT SCALE = 100.0000' / in.	CHECKED -		REVISED -	LOCATION NO. 3 (SN 022-0037)			VARIOUS	2014-0371	DUPAGE	37
	PLOT DATE = 8/22/2014	DATE -	REVISED -		SCALE: NTS	SHEET 1	OF 1 SHEETS	STA.	TO STA.	CONTRACT NO. 60Y31		
											ILLINOIS FED. AID PROJECT	