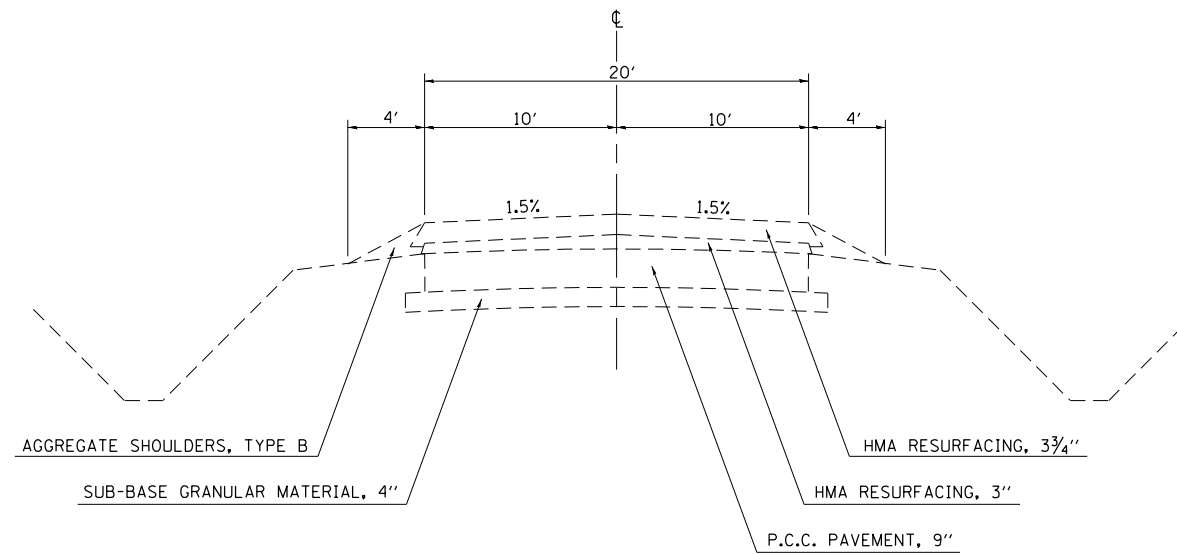


EXISTING TYPICAL CROSS SECTION

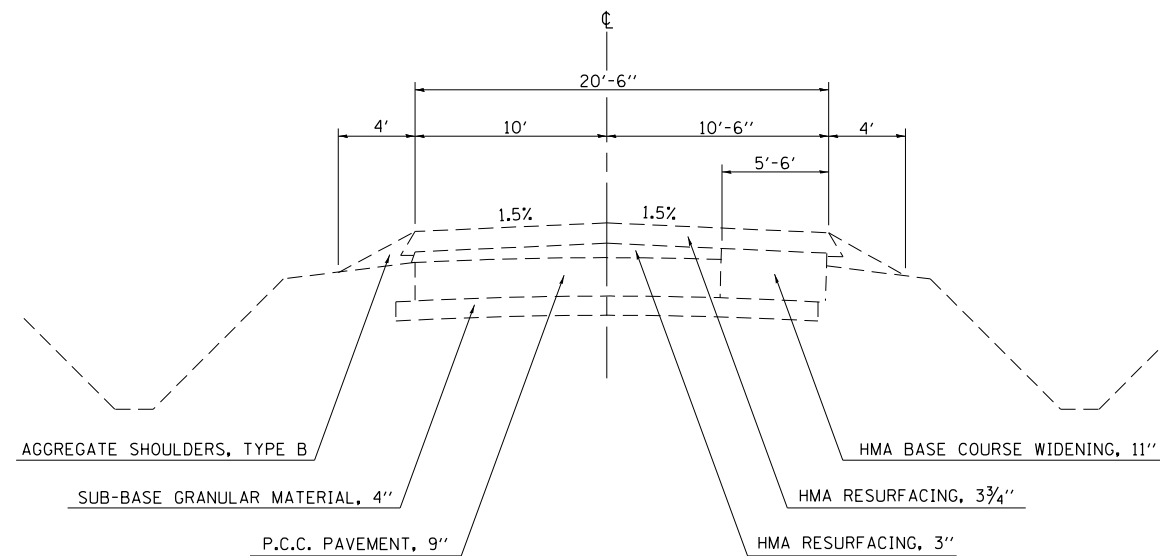
E. Harrison Ave. (30+43 TO 76+95)
E. Harrison Ave. (87+07 TO 87+51)



NOTE: NOT DRAWN TO SCALE

EXISTING TYPICAL CROSS SECTION

E. Harrison Ave. (76+95 TO 87+07)



NOTE: NOT DRAWN TO SCALE

FILE NAME =	USER NAME = steffenmk	DESIGNED -	REVISED -	STATE OF ILLINOIS DEPARTMENT OF TRANSPORTATION	EXISTING TYPICAL CROSS SECTIONS			F.A.P. RTE.	SECTION	COUNTY	TOTAL SHEETS	SHEET NO.
ci:\pw\work\p\dot\steffenmk\d0158776\074423-sh-typical.dgn		DRAWN -	REVISED -		91	5N	Coles	271	12			
PLOT SCALE = 100.0000' / 1in.		CHECKED -	REVISED -		CONTRACT NO. 74423			ILLINOIS FED. AID PROJECT				
PLOT DATE = 5/7/2014		DATE -	REVISED -		SCALE: NA	SHEET 3	OF 10 SHEETS	STA.	TO STA.			