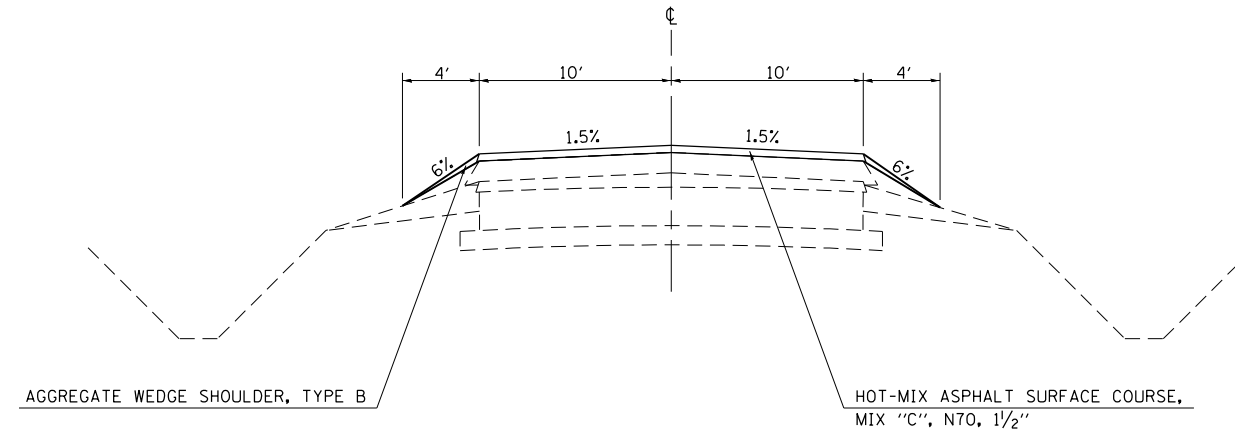


**PROPOSED TYPICAL CROSS SECTION**

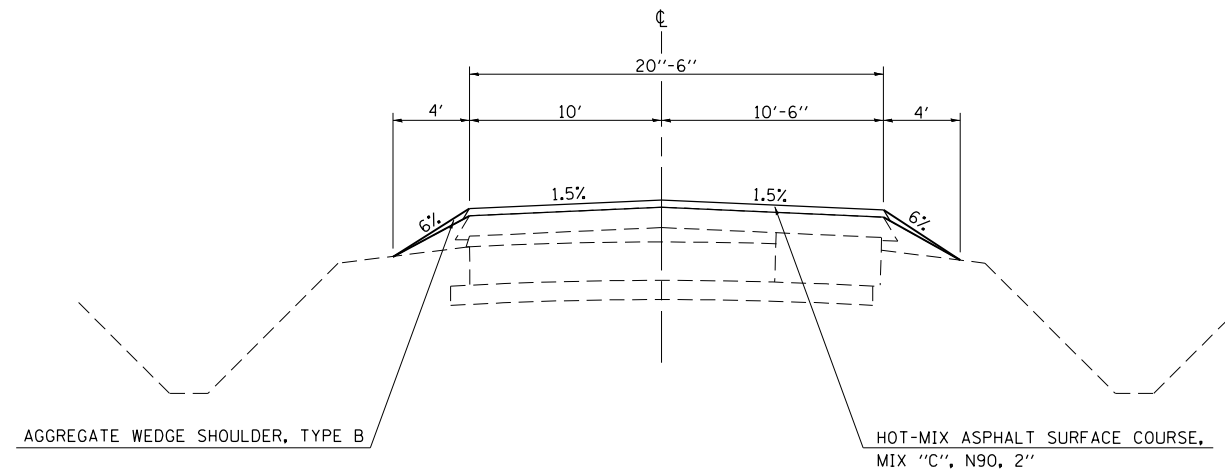
E. Harrison Ave.  
34+70.87 TO 87+51.00



NOTE: NOT DRAWN TO SCALE

**PROPOSED TYPICAL CROSS SECTION**

E. Harrison Ave. (A)  
5+90.00 TO 6+00.00



NOTE: NOT DRAWN TO SCALE

FILE NAME =	USER NAME = steffenmk	DESIGNED -	REVISED -	<b>STATE OF ILLINOIS DEPARTMENT OF TRANSPORTATION</b>	<b>PROPOSED TYPICAL CROSS SECTIONS</b>			F.A.P. RTE.	SECTION	COUNTY	TOTAL SHEETS	SHEET NO.
ci:\pwork\pwork\stevfenmk\d0158776\0774423-sh-typical.dgn		DRAWN -	REVISED -					91	5N	Coles	271	16
PLOT SCALE = 100.0000' / 1"		CHECKED -	REVISED -		SCALE: NA			SHEET 7 OF 10 SHEETS STA. TO STA.			CONTRACT NO. 74423	
PLOT DATE = 5/7/2014		DATE -	REVISED -		ILLINOIS FED. AID PROJECT							