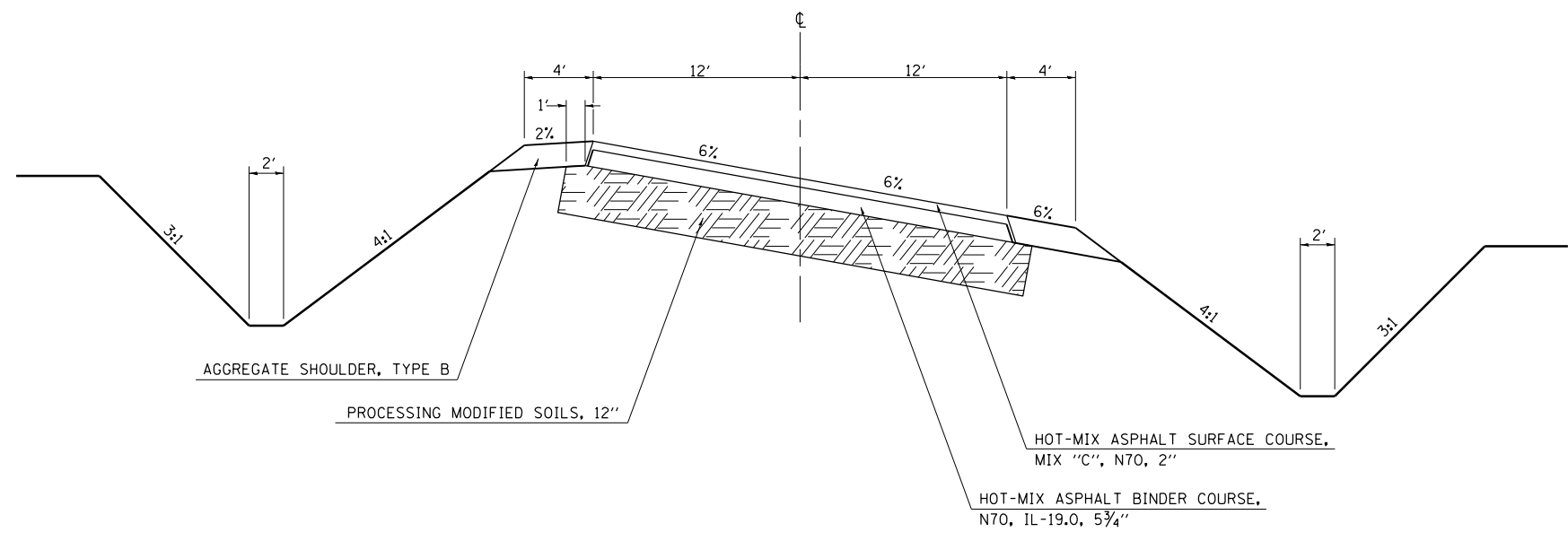


PROPOSED TYPICAL CROSS SECTION

E. Harrison Ave. (B)
63+98.31 TO 70+74.97



NOTE: NOT DRAWN TO SCALE

PROCESSING MODIFIED SOILS, 12"

FILE NAME =	USER NAME = steffenmk	DESIGNED -	REVISED -	STATE OF ILLINOIS DEPARTMENT OF TRANSPORTATION	PROPOSED TYPICAL CROSS SECTIONS			F.A.P. RTE.	SECTION	COUNTY	TOTAL SHEETS	SHEET NO.			
	ci:\pwork\pwork\steffenmk\d0158776\074423-sh-typical.dgn	DRAWN -	REVISED -		SCALE: NA	SHEET 10	OF 10	SHEETS	STA.	TO STA.	91	5N	Coles	271	19
	PLOT SCALE = 100.0000' / 1in.	CHECKED -	REVISED -								CONTRACT NO. 74423				
	PLOT DATE = 5/7/2014	DATE -	REVISED -								ILLINOIS FED. AID PROJECT				