

**LEGEND**

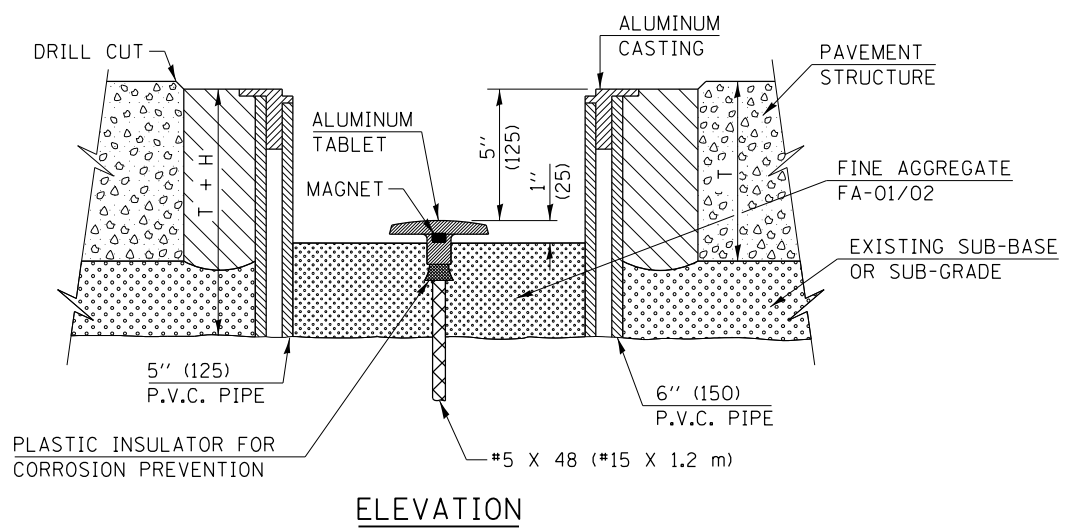
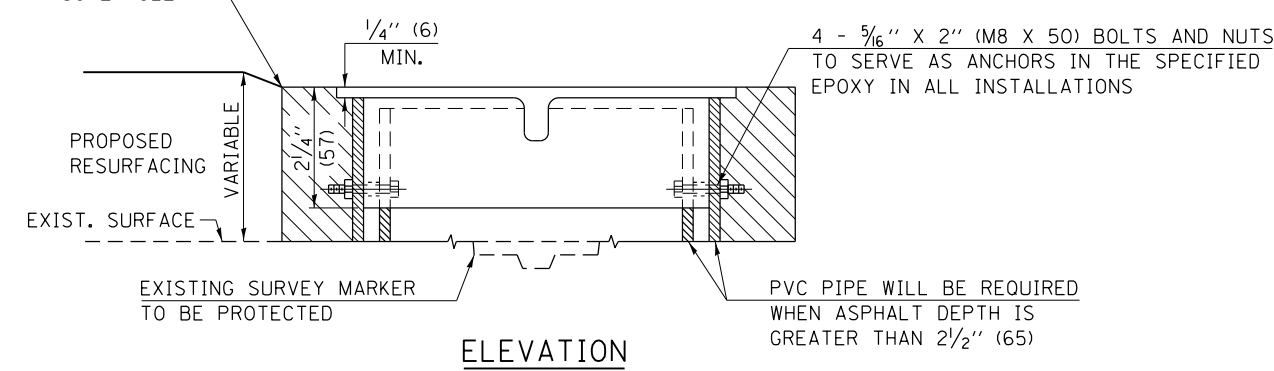
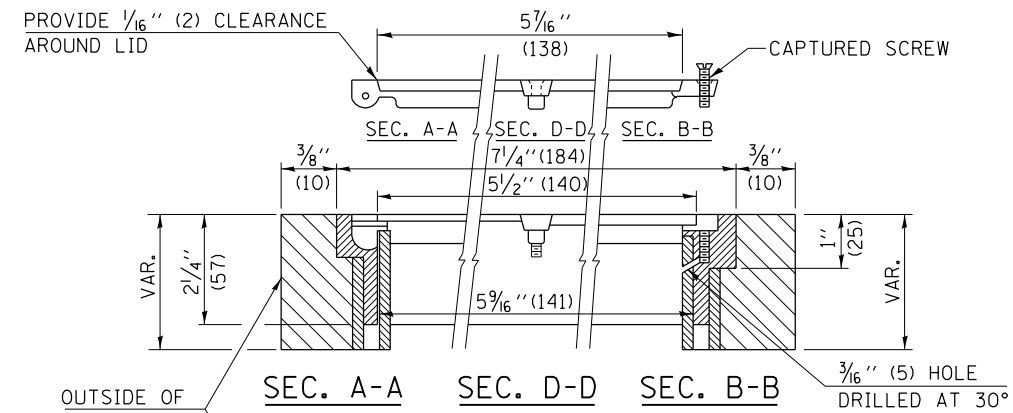
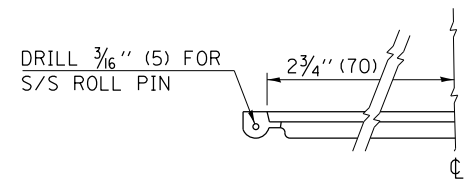
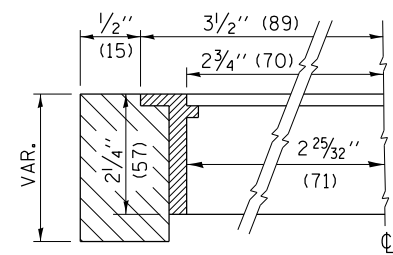
- ALUMINUM CASTING  
 - 5" (125) OR 6" (150) P.V.C. PIPE  
 - TWO-COMPONENT EPOXY

T = THICKNESS OF PAVEMENT STRUCTURE

H = THE THICKNESS OF THE SUB-BASE GRANULAR + 1" (25)

**BILL OF MATERIAL**

ALUMINUM CASTING OF THE DIMENSIONS AND SPECIFICATIONS SHOWN OR OTHER SUBJECT TO ENGINEER'S APPROVAL OF SHOP DRAWINGS, 4 EACH - 5/16" X 2" (M8 X 50) BOLTS WITH NUTS, EPOXY, 5" OR 6" (125 mm OR 150 mm) DIAMETER P.V.C. PIPE, SCHEDULE 40 (WHEN REQUIRED).



NOT TO SCALE

Note: All dimensions are in INCHES (millimeters) unless otherwise shown.

|   |                             |            |                    |
|---|-----------------------------|------------|--------------------|
| FILE NAME =   | USER NAME = steffenmk       | DESIGNED - | REVISED - MAD 6-11 |
| ci:\pw\work\p\id\stef\mk\d0158776\074423-sh1-detail.dgn |                             | DRAWN -    | REVISED -          |
|   | PLOT SCALE = 100.0000' / 1" | CHECKED -  | REVISED -          |
|   | PLOT DATE = 5/7/2014        | DATE -     | REVISED -          |

STATE OF ILLINOIS  
DEPARTMENT OF TRANSPORTATION

SURVEY MARKER VAULT

SCALE: N/A

SHEET NO. 1 OF 1 SHEETS

STA. TO STA.

| DISTRICT 7 DETAIL NO. Z0070202                |         |        |              |           |
|---|---------|--------|--------------|-----------|
| F.A.P. RTE.                                   | SECTION | COUNTY | TOTAL SHEETS | SHEET NO. |
| 91  | 5N      | Coles  | 271          | 123       |
| CONTRACT NO. 74423                            |         |        |              |           |
| FED. ROAD DIST. NO. ILLINOIS FED. AID PROJECT |         |        |              |           |