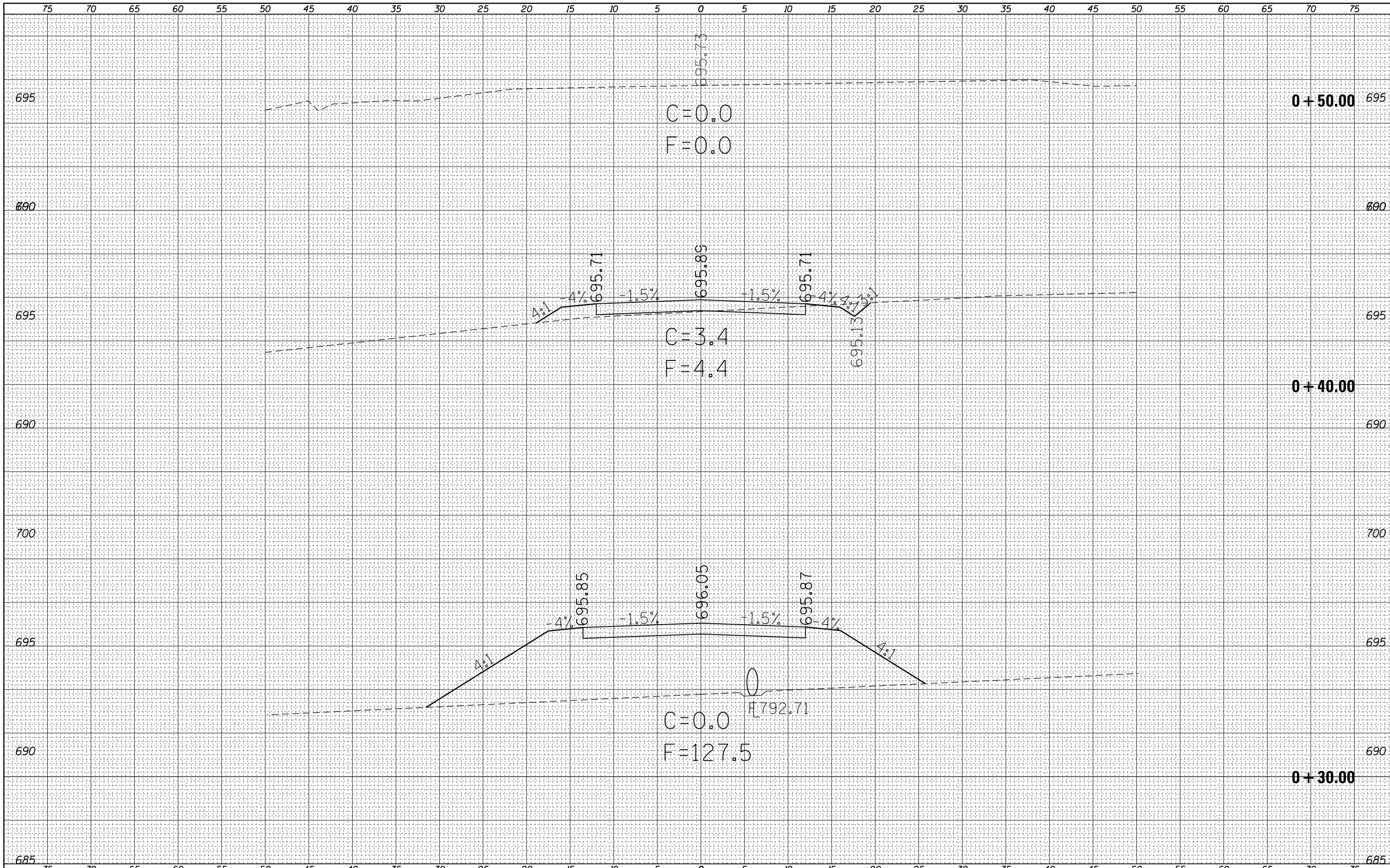


DATE	
BY	
FINAL SURVEY NO.	
SURVEYED	
PLOTTED	
TEMPLATE	
NOTE BOOK	
AREAS	
CHECKED	

DATE	
BY	
ORIGINAL SURVEY NO.	
SURVEYED	
PLOTTED	
TEMPLATE	
NOTE BOOK	
AREAS	
CHECKED	



FILE NAME =	USER NAME = steffenmk	DESIGNED -	REVISED -
c:\pw_work\pwidth\steffenmk\d0158776\0774423-xsc-sh1t-FE1.dgn		DRAWN -	REVISED -
		CHECKED -	REVISED -
Default	PLOT DATE = 5/7/2014	DATE -	REVISED -

**STATE OF ILLINOIS
DEPARTMENT OF TRANSPORTATION**

**CROSS SECTIONS
F.E. #1**

SCALE: 5 SHEET 2 OF 2 SHEETS STA. 0+30.00 TO STA. 0+50.00

F.A.P. RTE.	SECTION	COUNTY	TOTAL SHEETS	SHEET NO.
91	5N	Coles	271	251
			CONTRACT NO. 74423	
ILLINOIS FED. AID PROJECT				