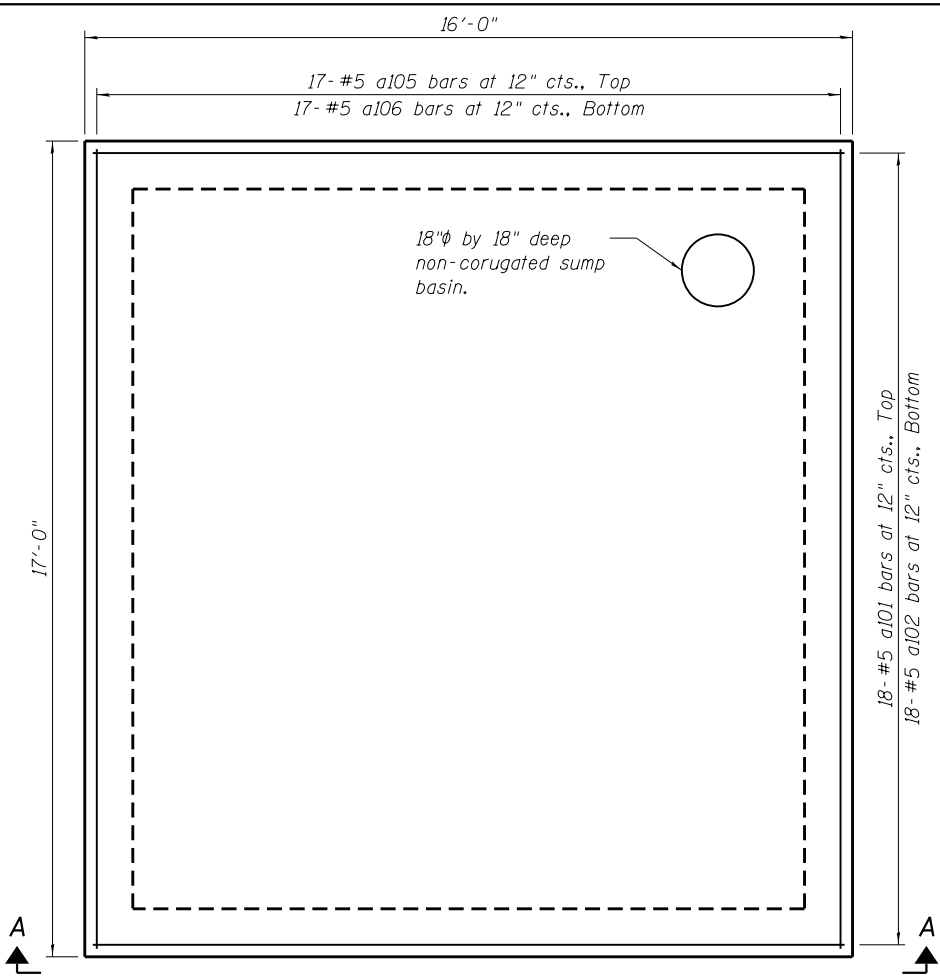
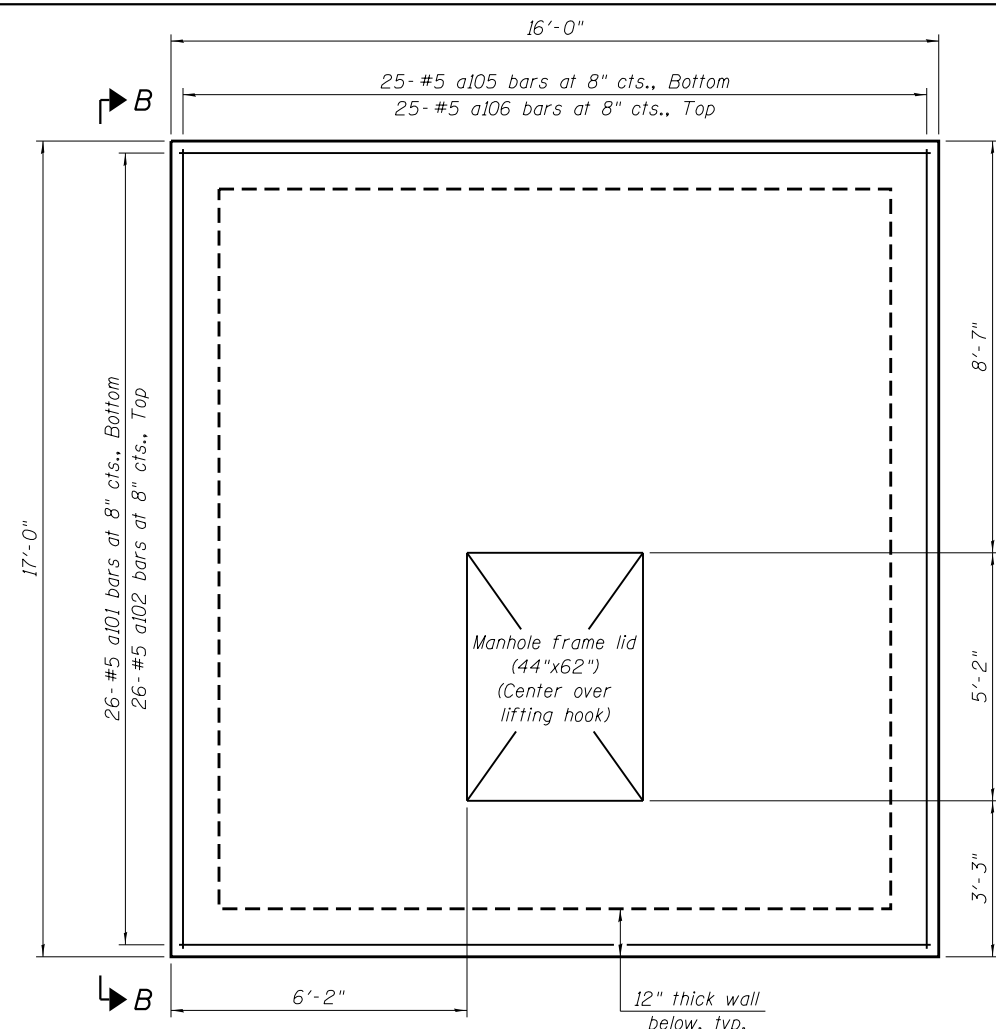


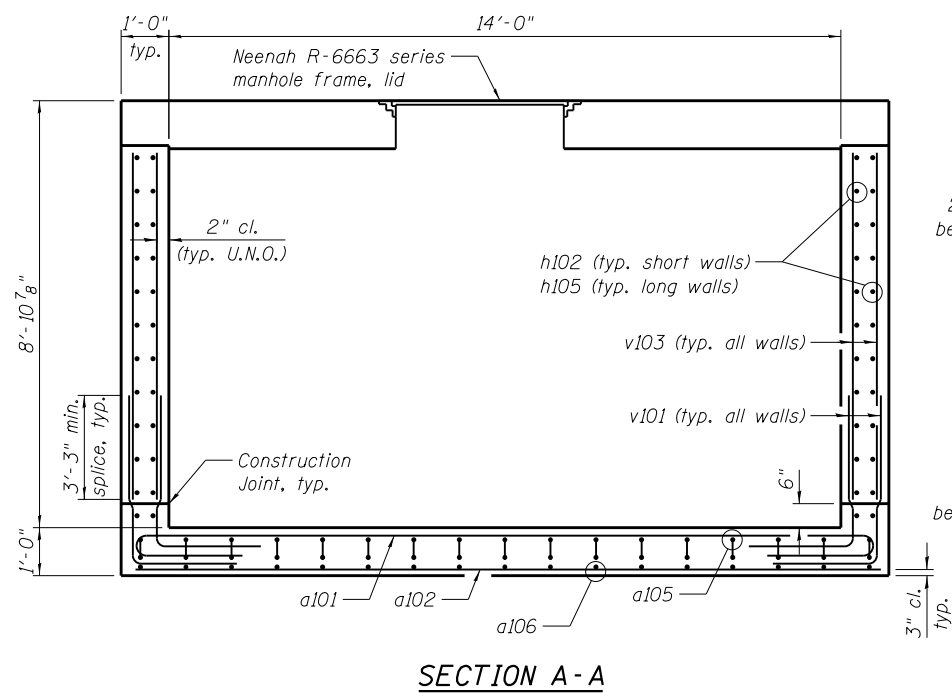
PLAN VIEW SHOWING WALL REINFORCEMENT



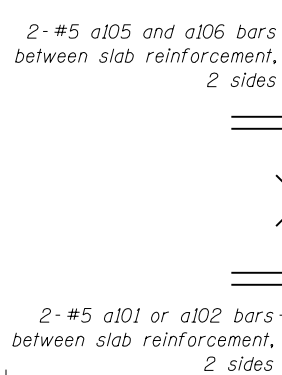
PLAN VIEW SHOWING FOOTING REINFORCEMENT



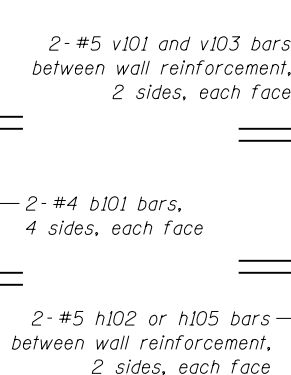
PLAN VIEW SHOWING TOP SLAB REINFORCEMENT



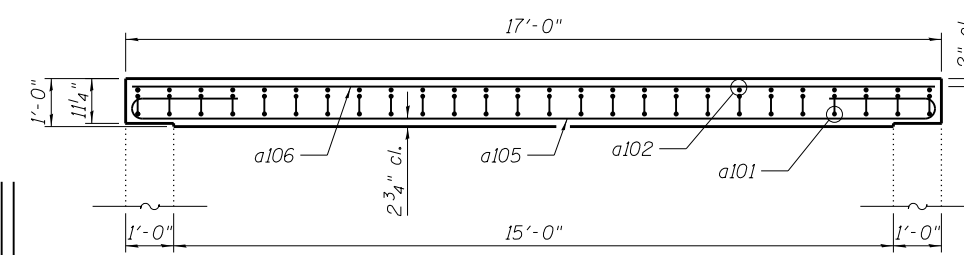
SECTION A-A



TYPICAL ADDITIONAL REINFORCEMENT AROUND MANHOLE FRAME LID



TYPICAL ADDITIONAL REINFORCEMENT AROUND PIPE PENETRATIONS



SECTION B-B

**NOTES:**

All reinforcement to have 2" clear cover unless noted otherwise.  
Cost of sump pits included with Concrete Structures.

$f'_c = 3,500$  psi

$f_y = 60,000$  psi (Reinforcement)

U.N.O. - Unless Noted Otherwise

FILE NAME = C:\Users\A\OneDrive\Downloads\1188-3.dgn