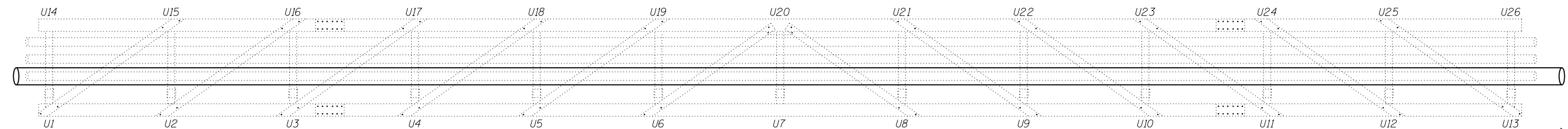
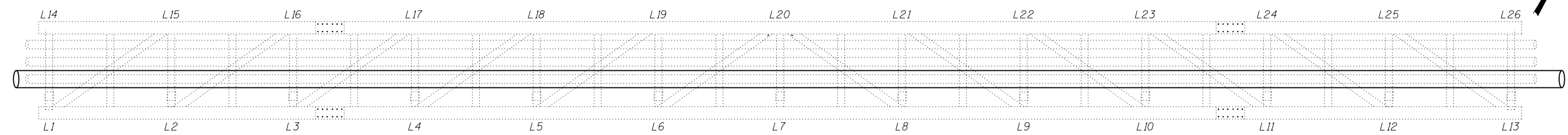


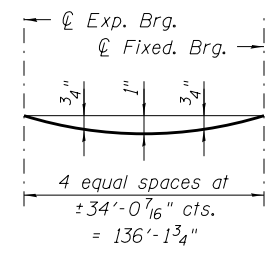
**ELEVATION**  
(Looking North)



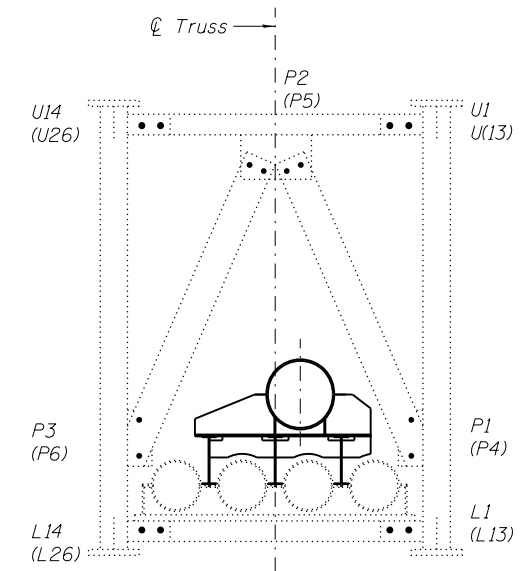
**UPPER CHORD PLAN**



**LOWER CHORD PLAN**

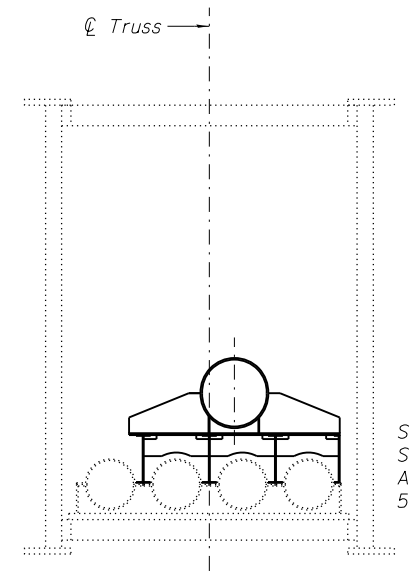


**TRUSS DEFLECTION DUE TO NEW 24" Ø WATERMAIN**

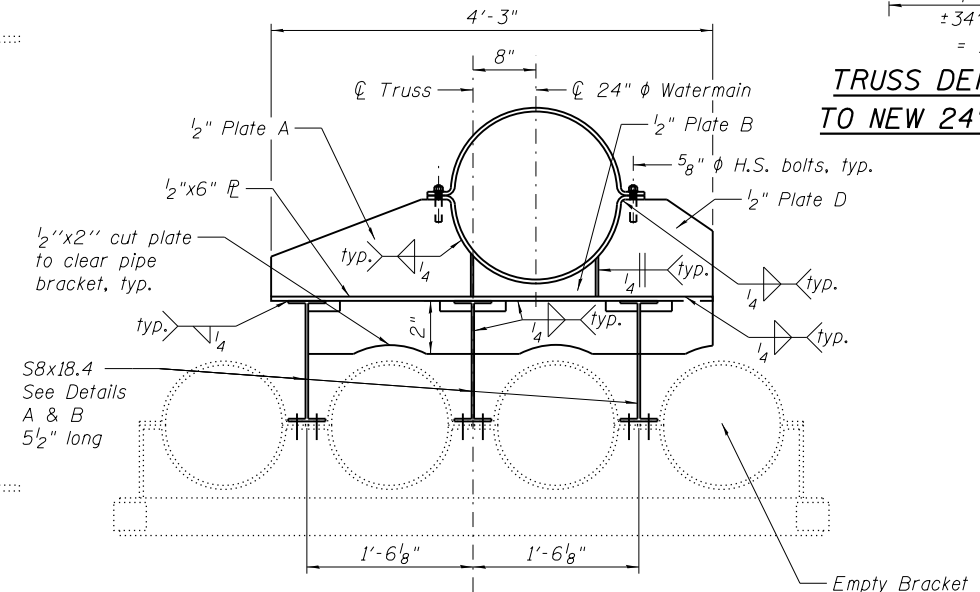


**CROSS SECTION AT END PORTAL**  
(Looking East)

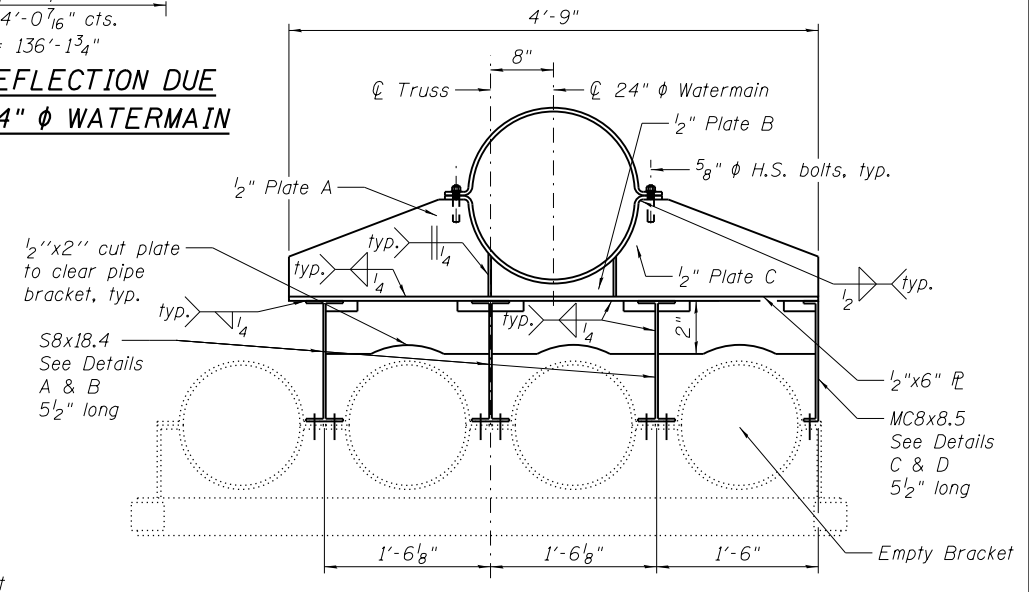
(The nodes shown in parenthesis are at fixed bearing)



**CROSS SECTION AT INTERIOR PIPE SUPPORT**  
(Looking East)



**CROSS SECTION**  
(Looking East)



**CROSS SECTION**  
(Looking East)

FILE NAME = C:\Users\seb\K1\ENGINEER\Downloads\1188-3.dgn



USER NAME = seb	DESIGNED - RGB	REVISED -
PLOT SCALE = 0:2.0000 '1' / in.	DRAWN - AJF	REVISED -
PLOT DATE = 9/23/2014	CHECKED - LMS	REVISED -
	DATE - 08/22/2014	REVISED -

STATE OF ILLINOIS  
DEPARTMENT OF TRANSPORTATION

PIPE BRIDGE PLAN & DETAILS - TRUSS DETAILS  
MISSOURI AVENUE DEEP WELL FACILITY

SCALE: SHEET 02 OF 04 SHEETS STA. TO STA.

F.A.I. RTE. 64	SECTION 82-4T-1	COUNTY ST. CLAIR	TOTAL SHEETS 185	SHEET NO. 52
CONTRACT NO. 76C99				
ILLINOIS FED. AID PROJECT				