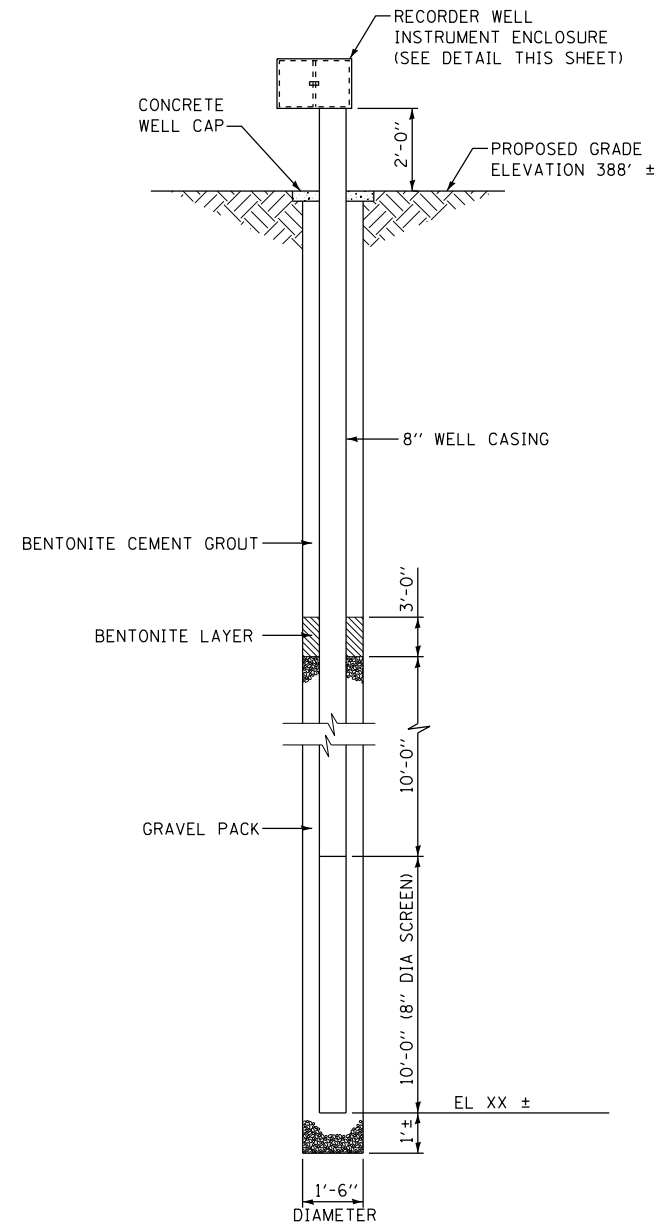
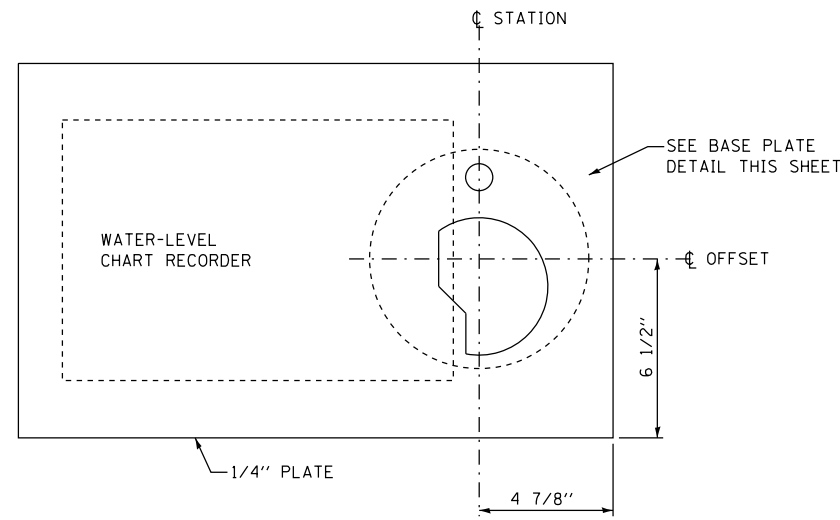


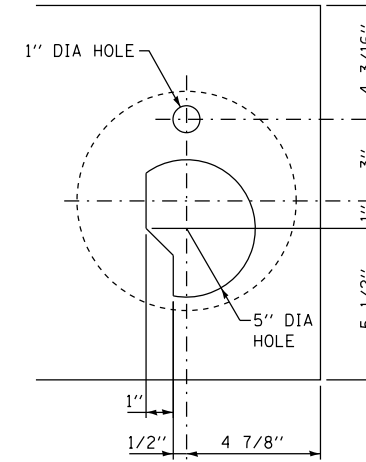
FILE NAME = G:\115\1150223\Work\Drawn_3_M0_Ave_P12\ACADD_Sheets\DWG\6699-ah-rec-well.dwg



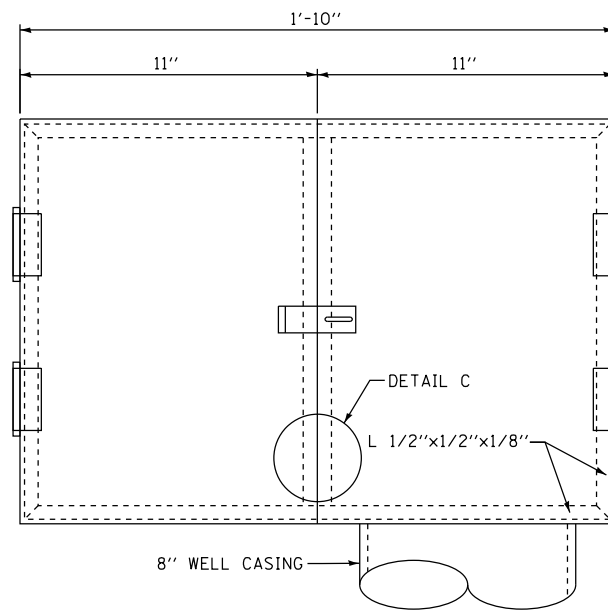
RECORDER WELL NO. 1A
NOT TO SCALE



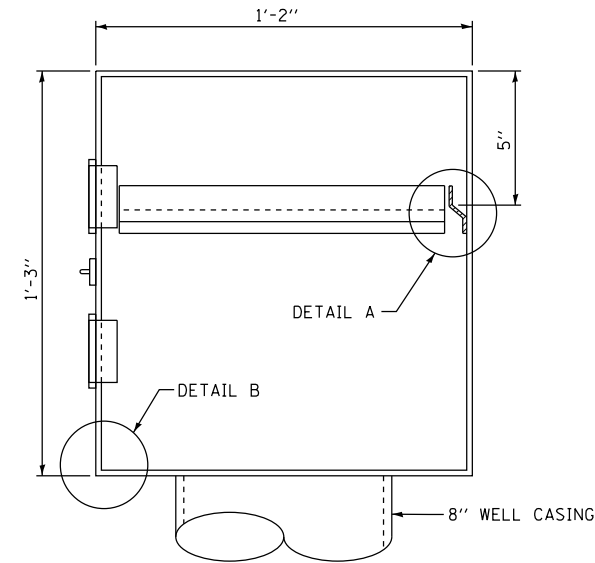
BASE PLATE PLAN
NOT TO SCALE



BASE PLATE DETAIL
NOT TO SCALE



ENCLOSURE ELEVATION



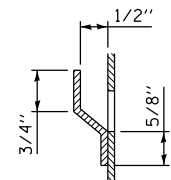
ENCLOSURE SIDE VIEW

TYPICAL RECORDER WELL INSTRUMENT ENCLOSURE
NOT TO SCALE

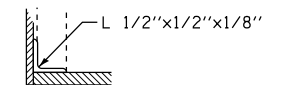
NOTES:

1. CONSTRUCT THE PROPOSED RECORDER WELLS AT THE LOCATIONS INDICATED ON THIS DRAWING. REFER TO SPECIAL PROVISIONS FOR INSTALLATION PROCEDURES.
2. BRACKET INSTALLED ON BACK AND BOTH SIDES OF ENCLOSURE.

RECORDER WELL NUMBER	STATION	OFFSET
RW NO. 1	121+93.0 ROADWAY B	26.4' RT



DETAIL A
NOTE 2



DETAIL B



DETAIL C