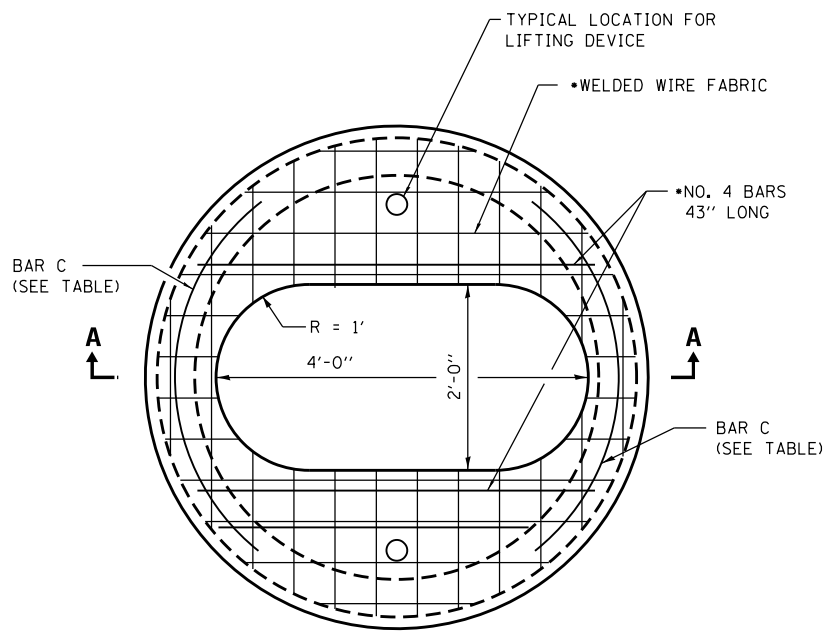
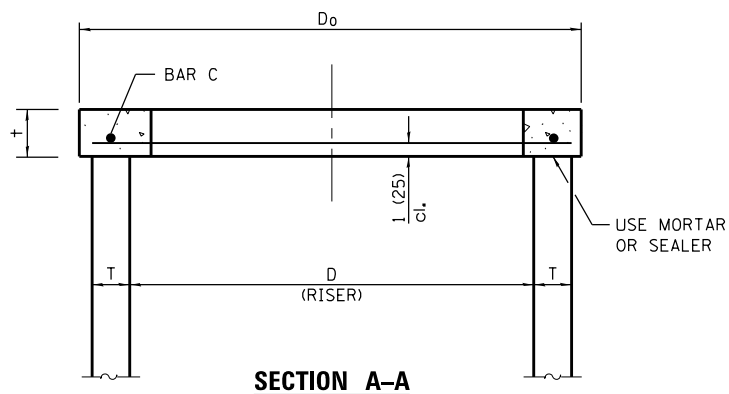


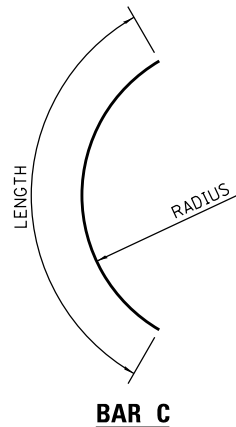
**FLAT SLAB TOP DETAIL**



• PRECAST CONCRETE MANUFACTURER SHOULD BE CONSULTED REGARDING THE PLACEMENT AND SIZE OF THE REINFORCEMENT.

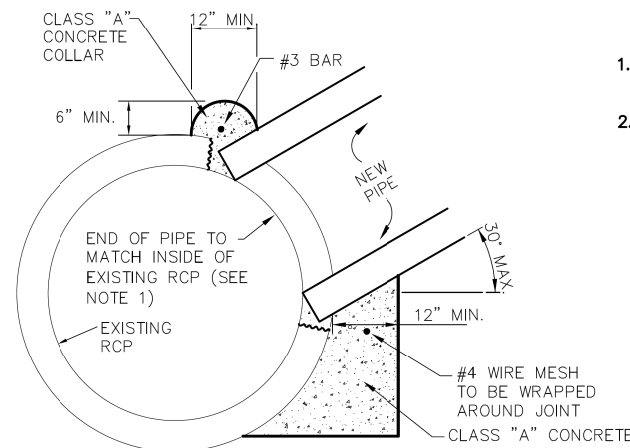


**SECTION A-A**



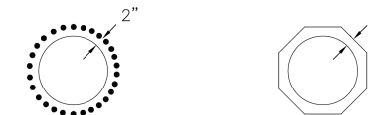
**TABLE**

D	T	Do (min.)	t	Reinforcement "As" W.W.F. or Bar each direction	Bar size	No. 4 Bar C Length	Radius
36	See applicable Standards	D + 2T	6	0.20 sq. in./ft.	No. 4	4'-0"	19
4'-0"			6	0.35 sq. in./ft.	No. 5	4'-6"	26
5'-0"			8	0.35 sq. in./ft.	No. 5	5'-0"	32



**CONNECTION TO EXISTING RCP 90" STORM SEWER**

- NOTES:**
1. MAXIMUM DIAMETER OF NEW PIPE EQUALS ONE HALF OF EXISTING PIPE'S DIAMETER.
  2. REMOVAL OF PLUG FROM EXISTING RCP TO BE ACCOMPLISHED BY USING A MASONRY DRILL AT A SPACING EQUAL TO THE DRILL BIT DIAMETER IN A CIRCULAR PATTERN OR A MASONRY SAW IN AN OCTAGONAL PATTERN PER DETAIL.



IDOT HWY STD.

602001-02 CATCH BASIN TYPE A  
602701-02 MANHOLE STEPS

FILE NAME = G:\11\110223\Work\_Drwnr\_3\_M0\_Ave\_P12\AC000\_Sheets\0876099-ahc-misc.dgn