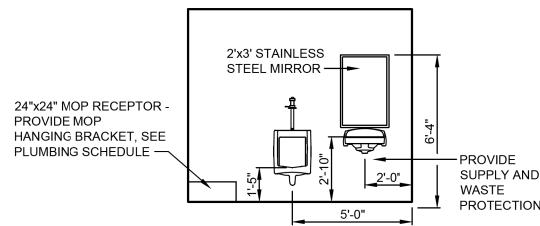
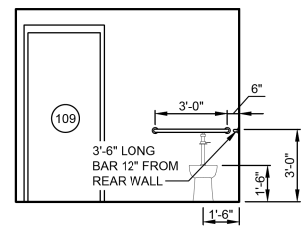


ROOM FINISH SCHEDULE									
ROOM OR AREA	FLOOR		BASE	WALLS		CEILING		FINISHED CEILING HEIGHT	REMARKS
	MATL	FINISH	FINISH	MATL	FINISH	MATL	FINISH		
101 GENERATOR ROOM	CONC	EPOXY-3	NONE	CMU	EPOXY-2	CONC	EPOXY-1	27'-8"	--
102 ELECTRICAL CONTROL ROOM	CONC	EPOXY-3	NONE	CMU	EPOXY-2	CONC	EPOXY-1	27'-8"	--
103 TOILET	CONC	EPOXY-3	NONE	CMU	EPOXY-2	CONC	EPOXY-1	8'-0"	CAP TOILET ROOM - SEE STRUCTURAL
104 WELL ROOM	CONC	EPOXY-3	NONE	CMU	EPOXY-2	CONC	EPOXY-1	27'-8"	--

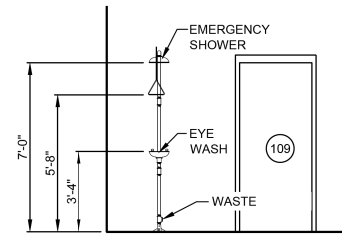
DOOR AND OPENING SCHEDULE										
MARK	DOOR		FRAME				HDW GRP	FIRE RATING	REMARKS	MARK
	SIZE	MATL	MATL	HEAD HIGHT	HEAD DETAIL	JAMB DETAIL				
101	3'-8" x 7'-0" x 1-3/4"	FRP	FRP	4"	7/A401	2/A401	1	--	LOUVER ABOVE DOOR FRAME	101
102	12'-0" W X 16'-0" H COILING	FRP	STL	--	5/A401	6/A401	--	--	INSULATED SLATS	102
103	3'-0" x 7'-0" x 1-3/4"	FRP	FRP	4"	1/A401	2/A401	1	--	--	103
104	3'-0" x 7'-0" x 1-3/4"	HM	HM	3"	3/A401	4/A401	3	3 HR	--	104
105	3'-0" x 7'-0" x 1-3/4"	FRP	FRP	3"	1/A401	2/A401	1	--	--	105
106	(2) 3'-0" x 8'-4" x 1-3/4"	FRP	FRP	3"	1/A401	2/A401	2	--	--	106
107	3'-0" x 7'-0" x 1-3/4"	FRP	FRP	3"	3/A401	4/A401	4	--	WITH HALF LITE, SEE ELEVATION BELOW	107
108	3'-0" x 7'-0" x 1-3/4"	FRP	FRP	4"	3/A401	4/A401	4	--	WITH HALF LITE, SEE ELEVATION BELOW	108
109	3'-0" x 7'-0" x 1-3/4"	FRP	FRP	4"	3/A401	4/A401	5	--	--	109
110	12'-0" W X 12'-0" H SECTIONAL	ALUM	STL	--	5/A401	6/A401	--	--	INSULATED SECTIONAL WITH HIGH LIFT TRACK	110
111	3'-0" x 7'-0" x 1-3/4"	FRP	FRP	4"	1/A401	2/A401	1	--	--	111
112	4'-0" X 4'-0" FLOOR ACCESS HATCH	ALUM	ALUM	--	8/A401					112
113	4'-0" X 4'-0" FLOOR ACCESS HATCH	ALUM	ALUM	--	8/A401					113
114	2'-6" X 4'-0" ROOF ACCESS HATCH	ALUM	ALUM	--	8/A401					114
115	4'-0" X 8'-0" ROOF ACCESS HATCH	ALUM	ALUM	--	5/A102					115
116	4'-0" X 8'-0" ROOF ACCESS HATCH	ALUM	ALUM	--	5/A102					116



**A** INTERIOR ELEVATION  
A401 SCALE: 1/4"=1'-0"



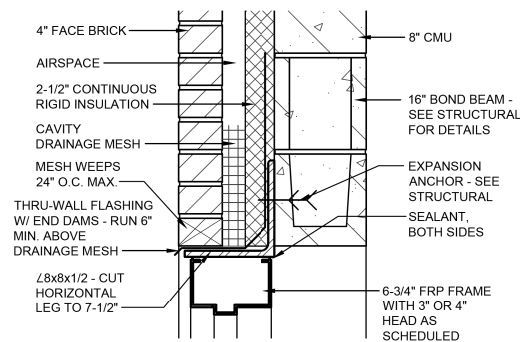
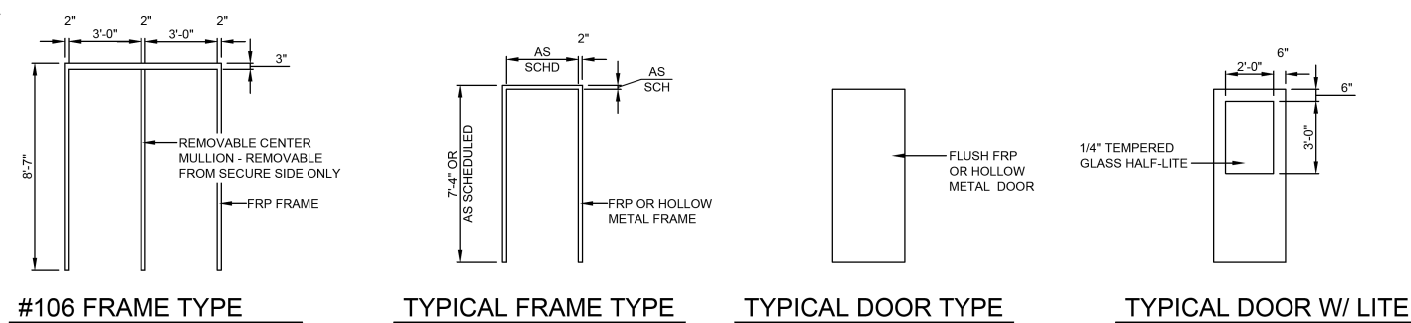
**B** INTERIOR ELEVATION  
A401 SCALE: 1/4"=1'-0"



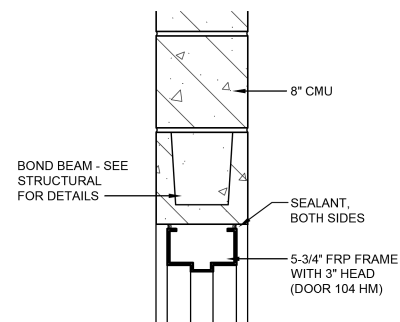
**C** EMER. SHOWER/EYE WASH  
A401 SCALE: 1/4"=1'-0"

**ABBREVIATIONS**

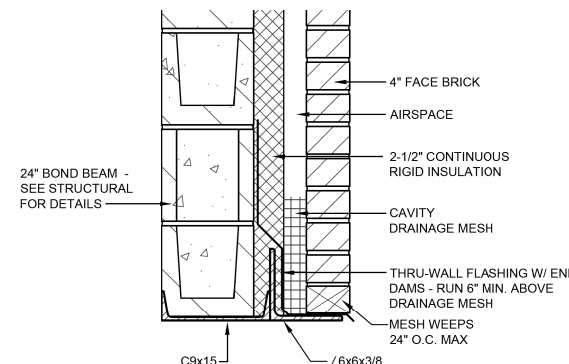
- ALUM ALUMINUM
- CONC CONCRETE
- EPOXY-1 HI-BUILD EPOXY COATING, COLOR: WHITE
- EPOXY-2 HI-BUILD EPOXY COATING, COLOR: TANNERY
- EPOXY-3 NON-SLIP EPOXY COATING, COLOR: LIGHT GRAY
- FRP FIBERGLASS REINFORCED POLYMER
- HM HOLLOW METAL



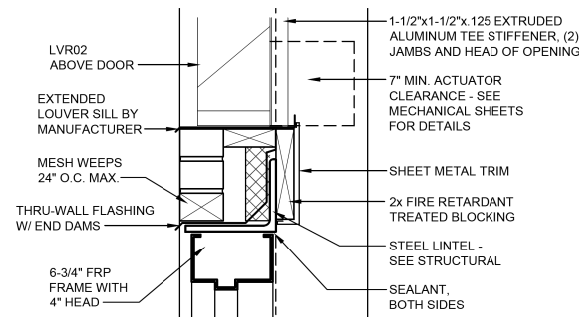
**1** HEAD DETAIL  
A401 SCALE: 1-1/2"=1'-0"



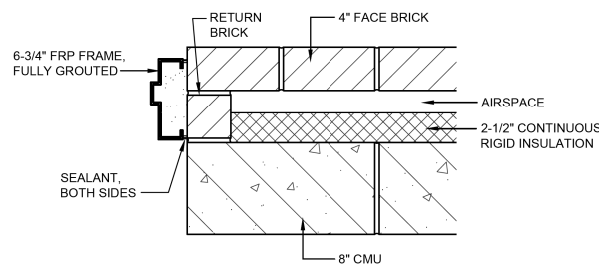
**3** HEAD DETAIL  
A401 SCALE: 1-1/2"=1'-0"



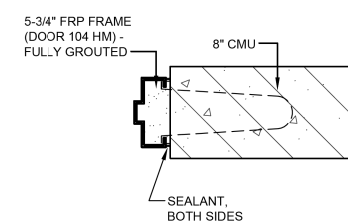
**5** HEAD DETAIL  
A401 SCALE: 1-1/2"=1'-0"



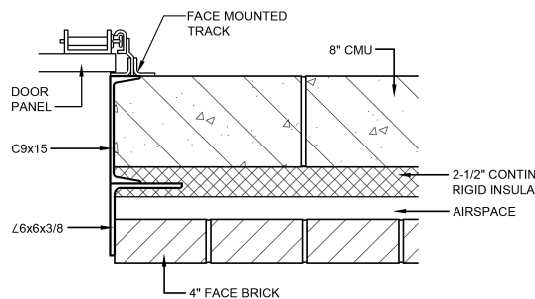
**7** HEAD DETAIL  
A401 SCALE: 1-1/2"=1'-0"



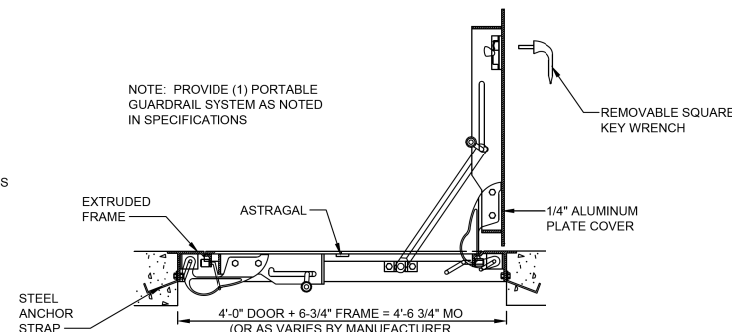
**2** JAMB DETAIL  
A401 SCALE: 1-1/2"=1'-0"



**4** JAMB DETAIL  
A401 SCALE: 1-1/2"=1'-0"



**6** JAMB DETAIL  
A401 SCALE: 1-1/2"=1'-0"



**8** FLOOR HATCH DETAIL  
A401 SCALE: 3/4"=1'-0"

FILE NAME = G:\115\1150223\Work - Drawn - 3 MO Ave - R12\ACADD Sheets\0876599-arch-KL.A Architect.dgn