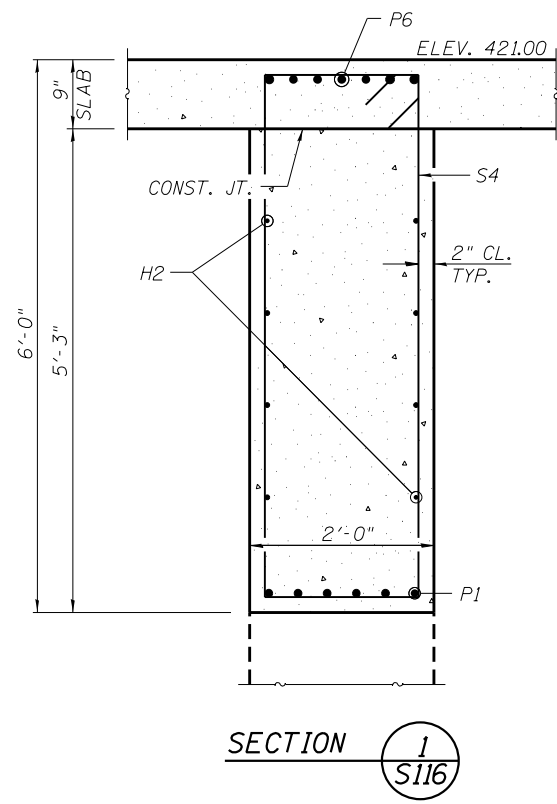
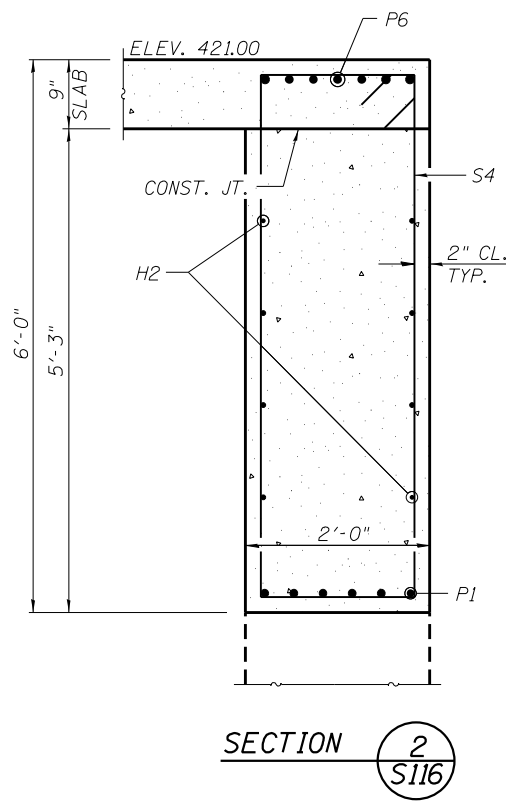


**BEAM RB6**  
(LOOKING SOUTH)



**SECTION 1**  
**S116**



**SECTION 2**  
**S116**

FILE NAME = G:\115\110223\Work\_Drwn\_3\_MO\_Ave\_R12\ACDD\_Street\Grade\_Beam\_Plan.dgn

**KLINGNER & ASSOCIATES, P.C.**  
Engineers • Architects • Surveyors

USER NAME = seb	DESIGNED - RJP	REVISED -
PLOT SCALE = 25.0000' / in.	DRAWN - ADL	REVISED -
PLOT DATE = 8/23/2014	CHECKED - RJP	REVISED -
	DATE - ADL	REVISED -

**STATE OF ILLINOIS**  
**DEPARTMENT OF TRANSPORTATION**

**WELL HOUSE BLDG - CONCRETE BEAM DETAILS**  
**MISSOURI AVENUE DEEP WELL FACILITY**

SCALE: SHEET OF SHEETS STA. TO STA.

F.A.I. RTE.	SECTION	COUNTY	TOTAL SHEETS	SHEET NO.
64	82-4T-1	ST. CLAIR	185	94
CONTRACT NO. 76C99				
ILLINOIS FED. AID PROJECT				

**S116**