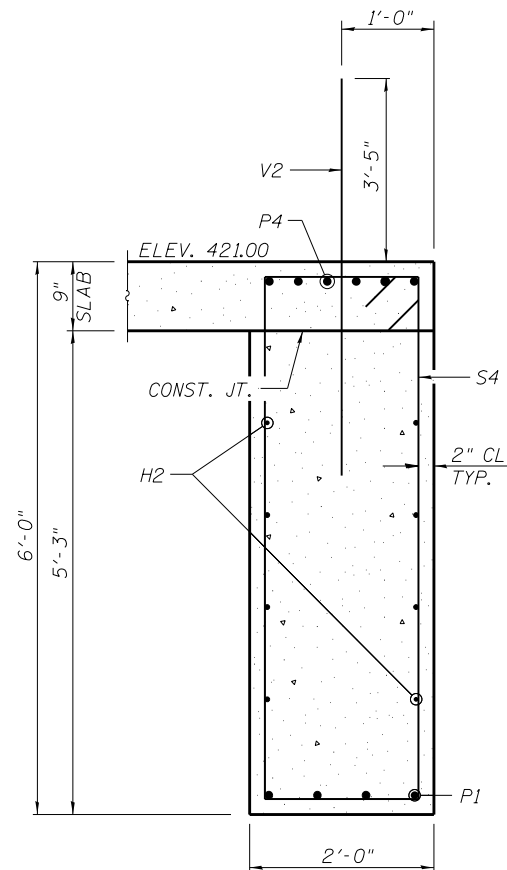
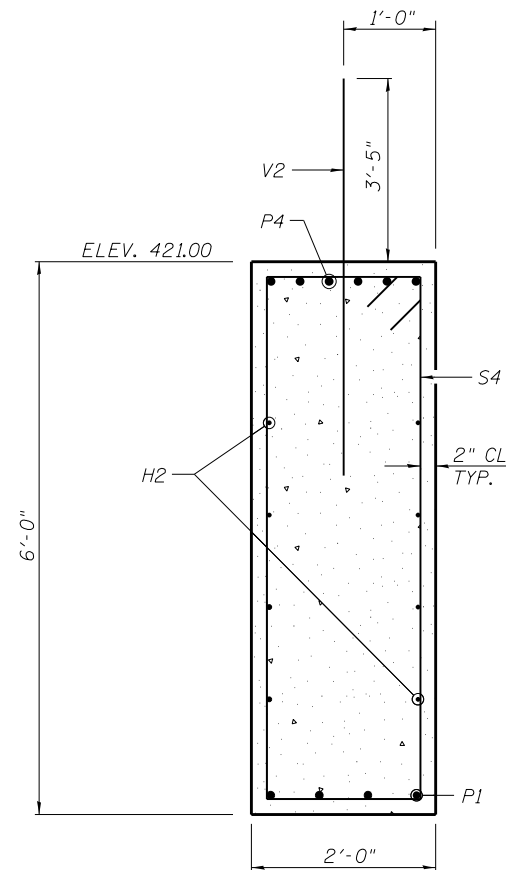


**BEAM RB7**  
(LOOKING SOUTH)



SECTION **1**  
S117



SECTION **2**  
S117

FILE NAME = G:\115\115023\Work\_Drwn\_3\_M0\_Ave\_R12\AC000\_Street\Grade\_Beam\_Plan.dgn

**KLINGNER & ASSOCIATES, P.C.**  
Engineers • Architects • Surveyors

USER NAME = seb	DESIGNED - RJP	REVISED -
PLOT SCALE = 25.0007' / in.	DRAWN - ADL	REVISED -
PLOT DATE = 8/23/2014	CHECKED - RJP	REVISED -
	DATE - ADL	REVISED -

STATE OF ILLINOIS  
DEPARTMENT OF TRANSPORTATION

WELL HOUSE BLDG - CONCRETE BEAM DETAILS  
MISSOURI AVENUE DEEP WELL FACILITY

SCALE: SHEET OF SHEETS STA. TO STA.

F.A.I. RTE.	SECTION	COUNTY	TOTAL SHEETS	SHEET NO.
64	82-4T-1	ST. CLAIR	185	95
CONTRACT NO. 76C99				
ILLINOIS FED. AID PROJECT				

S117