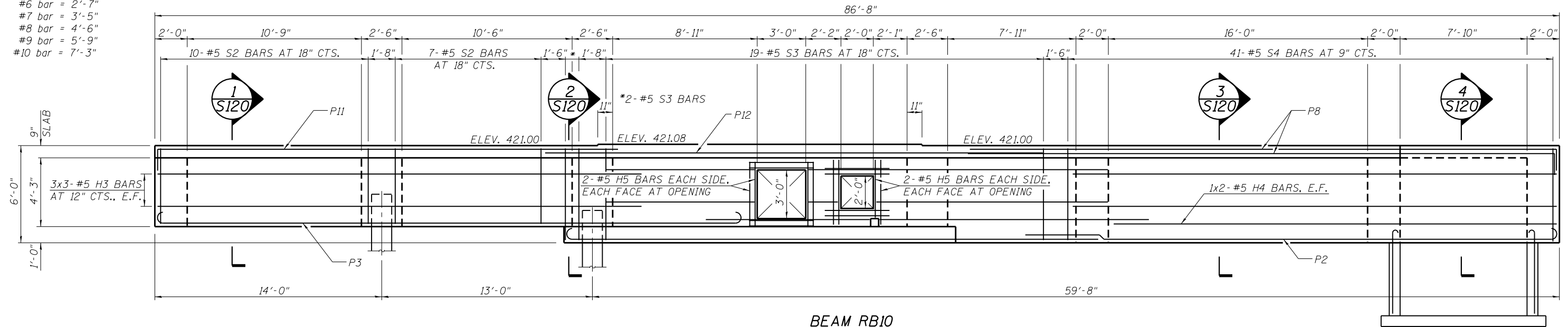


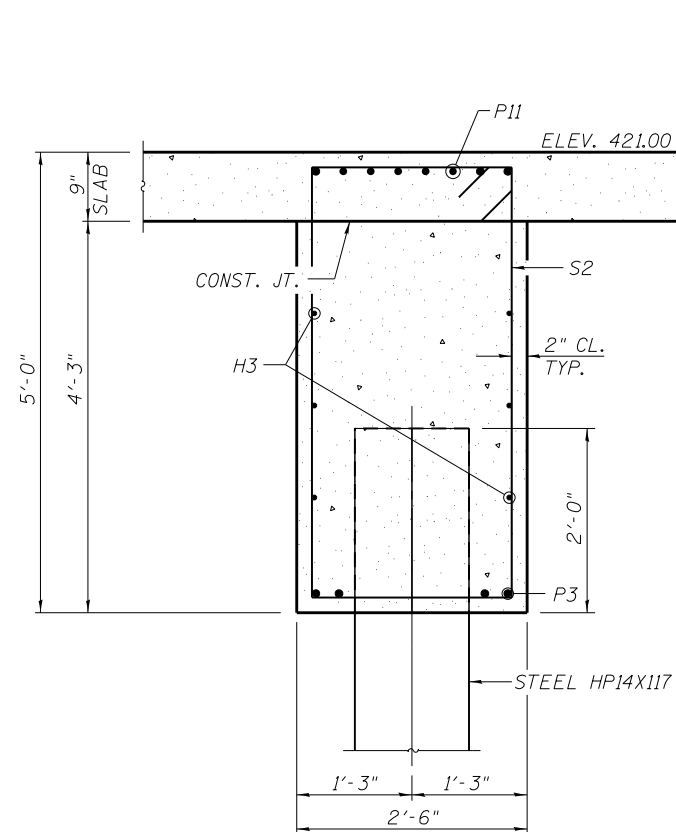
MINIMUM BAR LAP

- #5 bar = 2'-2"
- #6 bar = 2'-7"
- #7 bar = 3'-5"
- #8 bar = 4'-6"
- #9 bar = 5'-9"
- #10 bar = 7'-3"

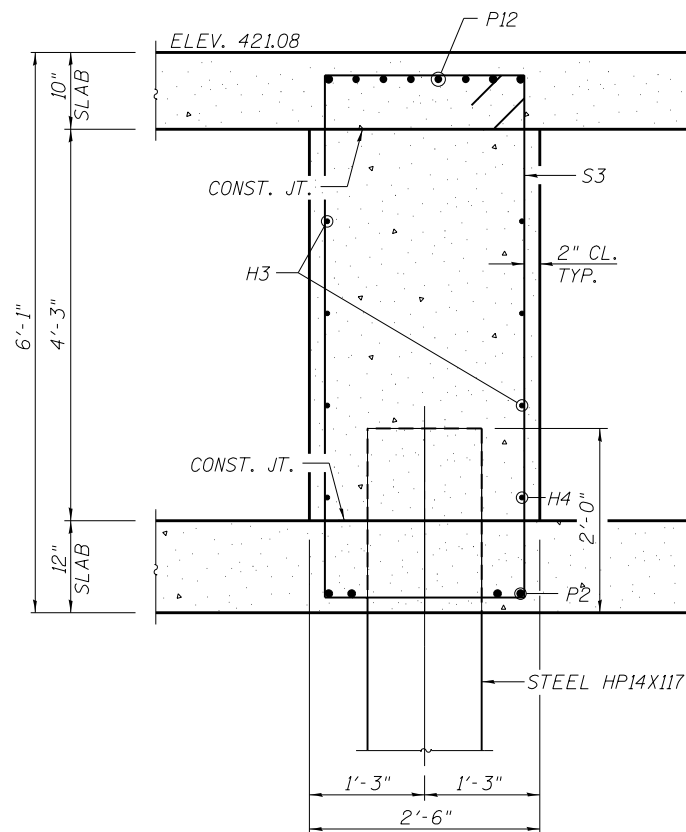


BEAM RB10
(LOOKING EAST)

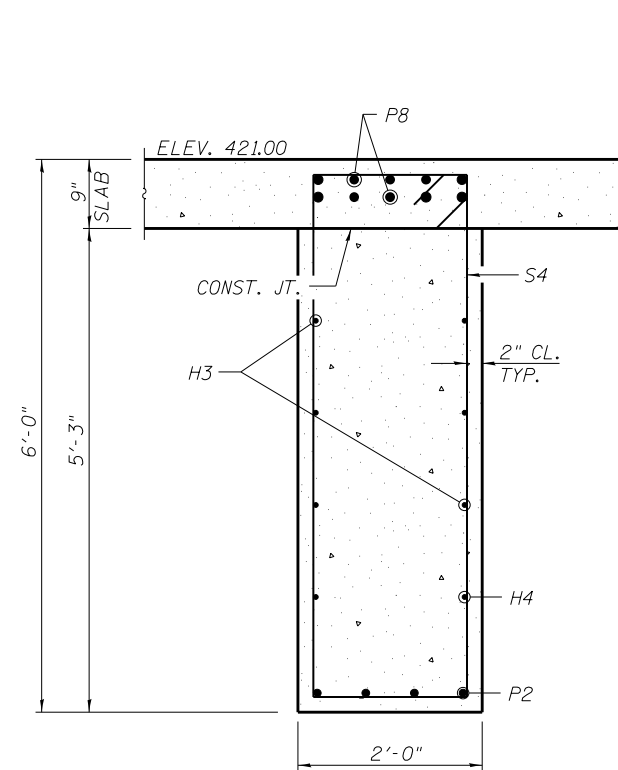
NOTE:
BARS INDICATED THUS 3X3-#5 ETC. INDICATES
3 LINES OF BARS WITH 3 LENGTHS PER LINE.



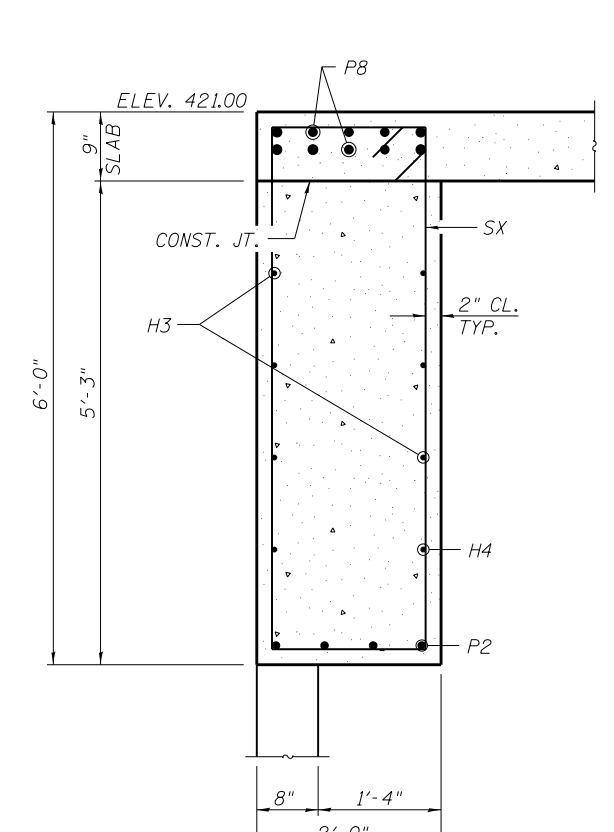
SECTION **1**
S120



SECTION **2**
S120



SECTION **3**
S120



SECTION **4**
S120

FILE NAME = G:\115\1150223\Work_Drwnr_3 MO Ave_R12\AC000 Streets\Grade Beam_R12.dgn