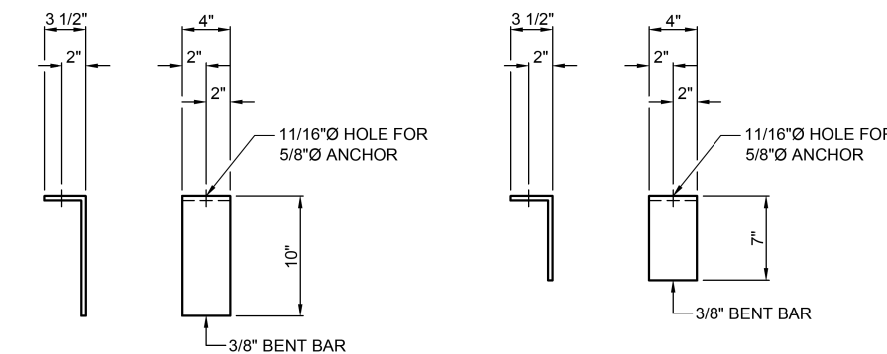
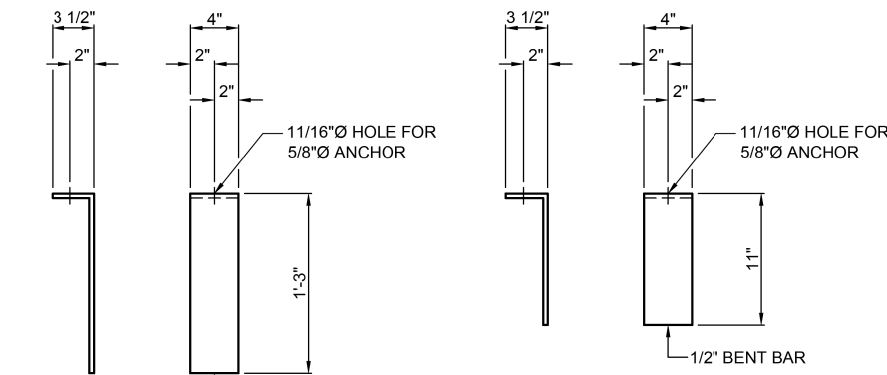


7 MEZZANINE HANDRAIL LAYOUT
S303 SCALE: 1/2"=1'-0"



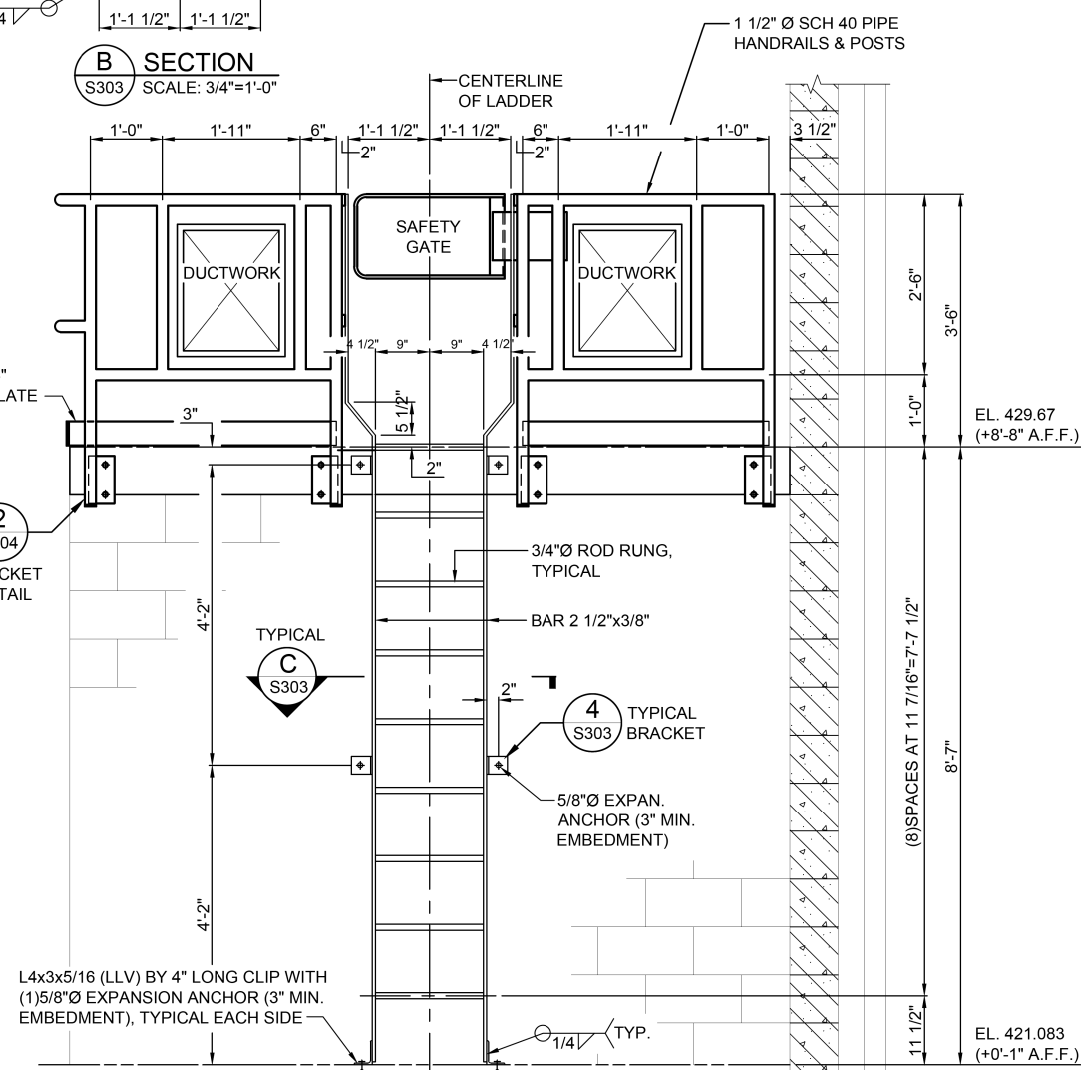
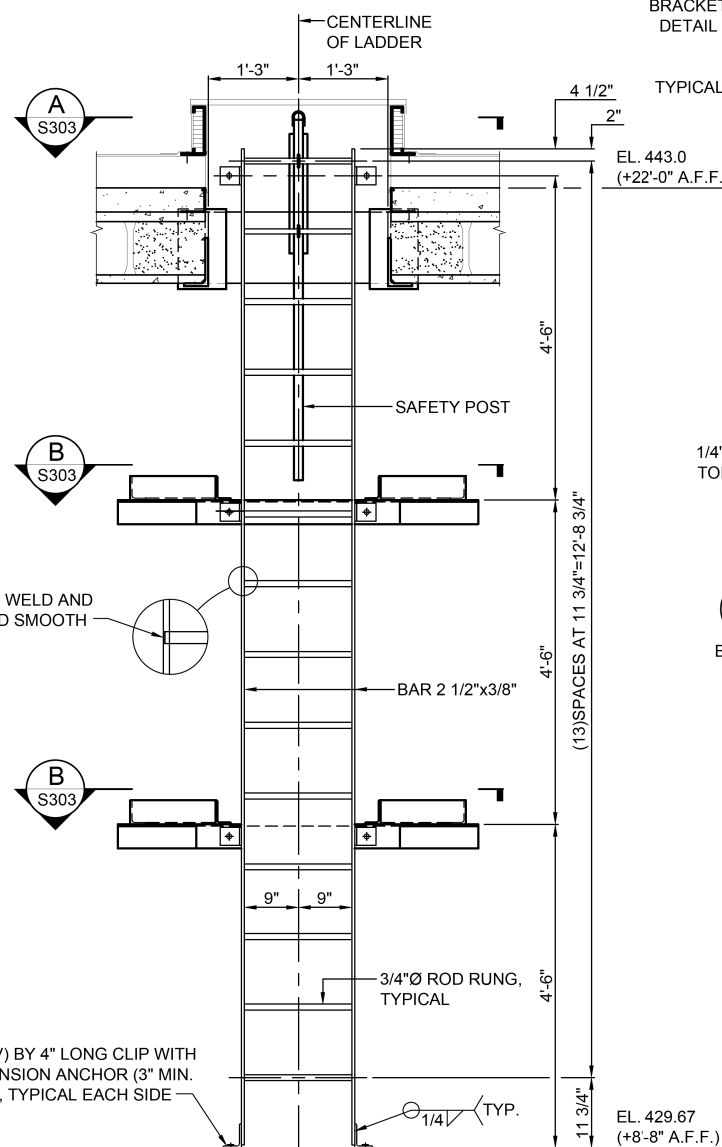
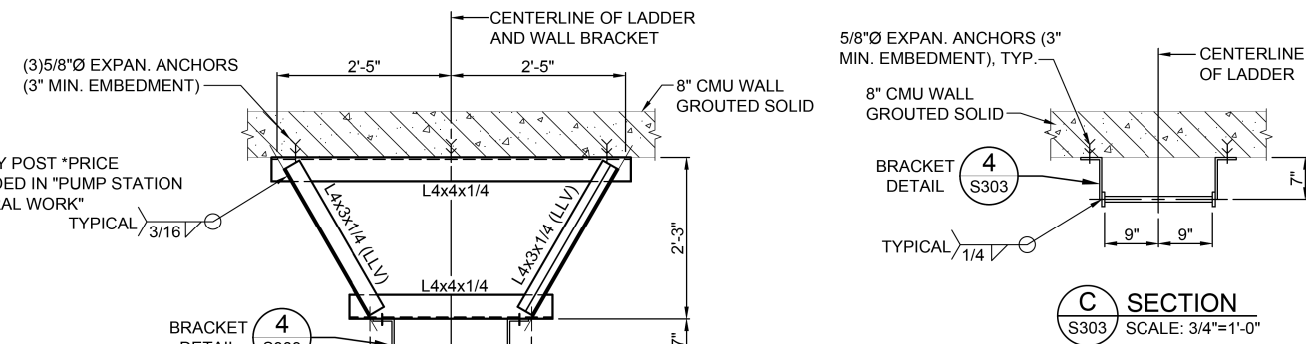
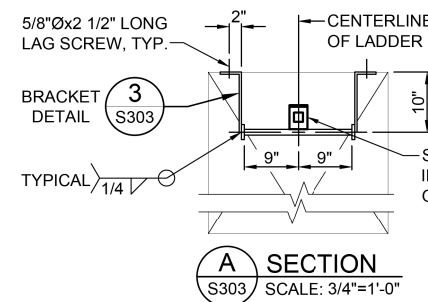
3 BRACKET DETAIL
S303 SCALE: 1 1/2"=1'-0"

4 BRACKET DETAIL
S303 SCALE: 1 1/2"=1'-0"

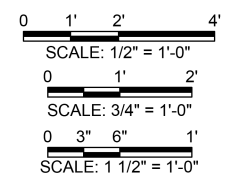


5 BRACKET DETAIL
S303 SCALE: 1 1/2"=1'-0"

6 BRACKET DETAIL
S303 SCALE: 1 1/2"=1'-0"



- *NOTE:
- 1) THE PRICE OF ALL ALUMINUM MATERIAL, SHAPES AND GRATING SHALL BE INCLUDED IN "PUMP STATION GENERAL WORK"
 - 2) THE PRICE OF ALL STAINLESS STEEL BOLTS AND MATERIAL SHALL BE INCLUDED IN "PUMP STATION GENERAL WORK"
 - 3) THE PRICE OF SAFETY GATE SHALL BE INCLUDED IN "PUMP STATION GENERAL WORK"
 - 4) THE PRICE OF ALL HANDRAILS AND GRADES 36 AND 50 STRUCTURAL STEEL SHALL BE INCLUDED IN "PUMP STATION GENERAL WORK"



FILE NAME = G:\115\115023\Work - Drawn - R12\ACADD - Sheets\115023\115023.dwg

USER NAME = bgj	DESIGNED - seb	REVISED -
PLOT SCALE = 40.0000' / in.	DRAWN - seb	REVISED -
PLOT DATE = 8/23/2014	CHECKED -	REVISED -
	DATE -	REVISED -