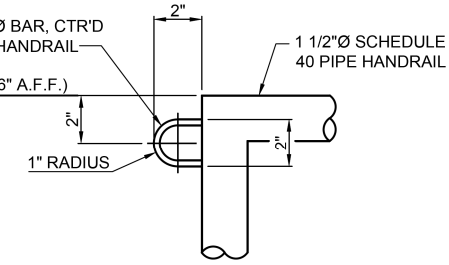
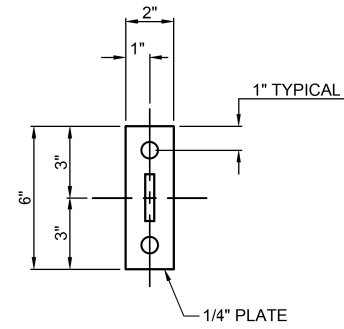
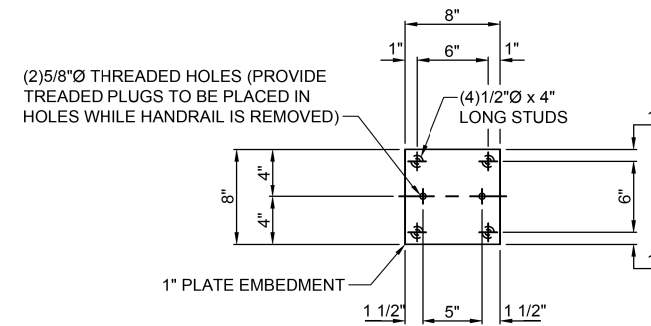


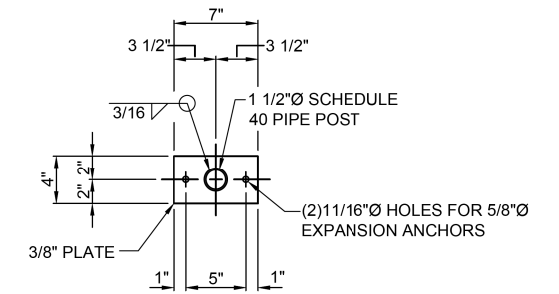
1 CHAIN BRACKET DETAIL  
S306 SCALE: 3"=1'-0"



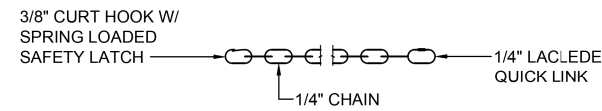
2 CHAIN LOOP DETAIL  
S306 SCALE: 3"=1'-0"



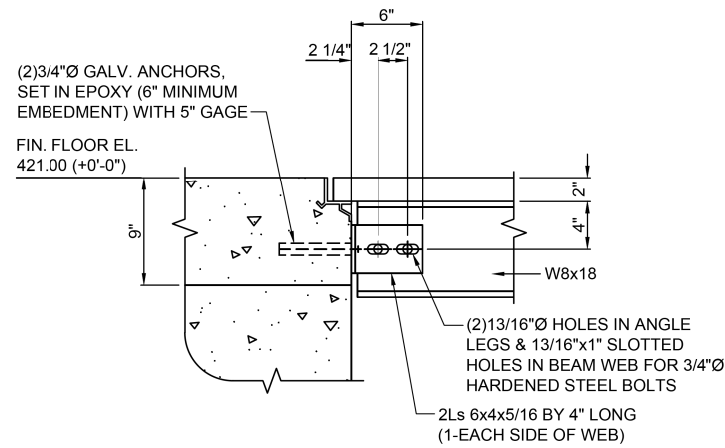
4 EMBEDMENT PLATE  
S306 SCALE: 1 1/2"=1'-0"



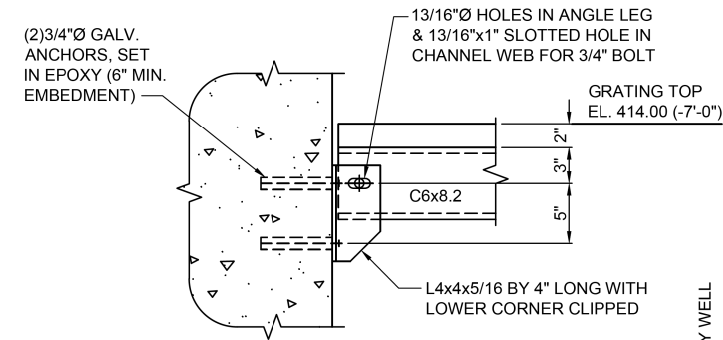
5 HANDRAIL BASE PLATE  
S306 SCALE: 1 1/2"=1'-0"



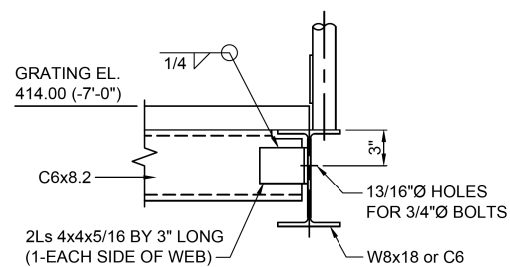
3 CHAIN DETAIL  
S306 SCALE: 3"=1'-0"



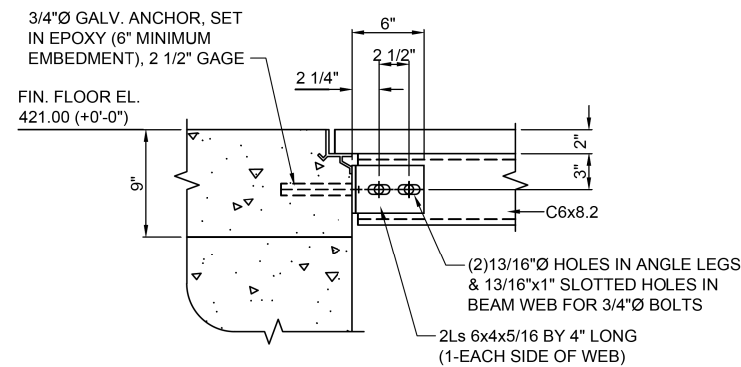
6 END CONNECTION DETAIL  
S306 SCALE: 1 1/2"=1'-0"



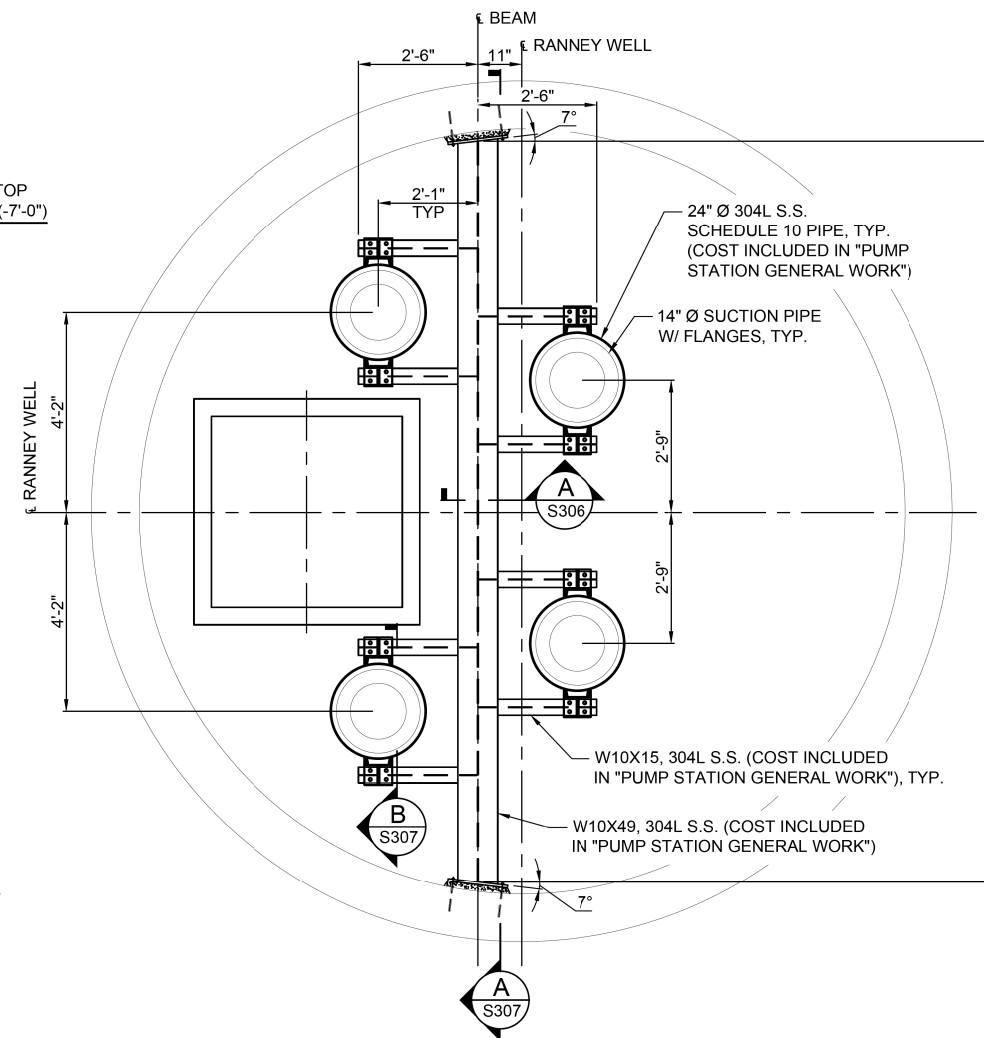
7 END CONNECTION DETAIL  
S306 SCALE: 1 1/2"=1'-0"



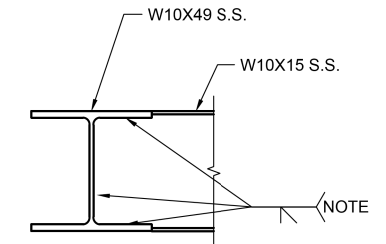
8 END CONNECTION DETAIL  
S306 SCALE: 1 1/2"=1'-0"



9 END CONNECTION DETAIL  
S306 SCALE: 1 1/2"=1'-0"



10 DETAIL - SEISMIC RESTRAINT (4 LOCATIONS)  
S306 SCALE: 1/2"=1'-0"



A SECTION  
S306 SCALE: 1 1/2"=1'-0"

NOTE:  
1) THE PRICE OF ALL HANDRAILS AND GRADES 36 AND 50 STRUCTURAL STEEL SHALL BE INCLUDED IN "PUMP STATION GENERAL WORK"  
2) THE PRICE OF SEISMIC RESTRAINTS SHALL BE INCLUDED IN "PUMP STATION GENERAL WORK"

0 1' 2' 4'  
SCALE: 1/2" = 1'-0"

0 3" 6" 1'  
SCALE: 1 1/2" = 1'-0"

0 3" 6"  
SCALE: 3" = 1'-0"

FILE NAME = G:\115\110023\Work\Drawn\3 MO Ave\_R12\CAD\Struct\DR76099-struct.kla\_S306.dgn

**KLINGNER & ASSOCIATES, P.C.**  
Engineers • Architects • Surveyors

USER NAME = seb  
PLOT SCALE = 40.0000' / in.  
PLOT DATE = 9/25/2014

DESIGNED - ADL	REVISED - AMS - 9/25/14
DRAWN - ADL	REVISED -
CHECKED -	REVISED -
DATE -	REVISED -

STATE OF ILLINOIS  
DEPARTMENT OF TRANSPORTATION

WELL HOUSE BUILDING - STRUCTURAL DETAILS  
MISSOURI AVENUE DEEP WELL FACILITY

SCALE: AS NOTED SHEET 6 OF 10 SHEETS STA. TO STA.

F.A.I. RTE. 64	SECTION 82-4T-1	COUNTY ST. CLAIR	TOTAL SHEETS 185	SHEET NO. 110
CONTRACT NO. 76C99			ILLINOIS FED. AID PROJECT	

S306