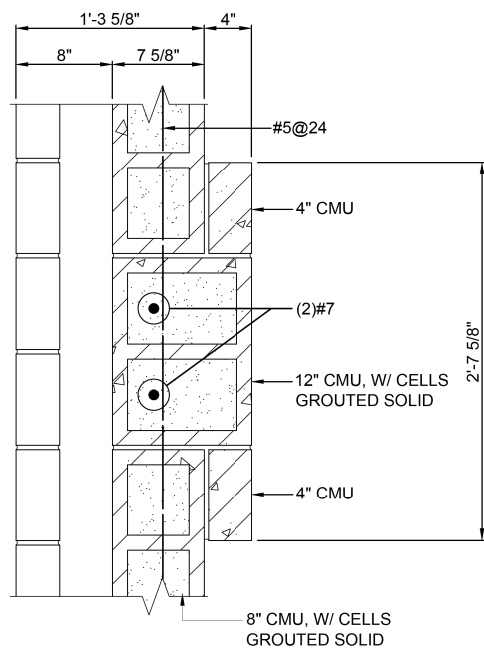
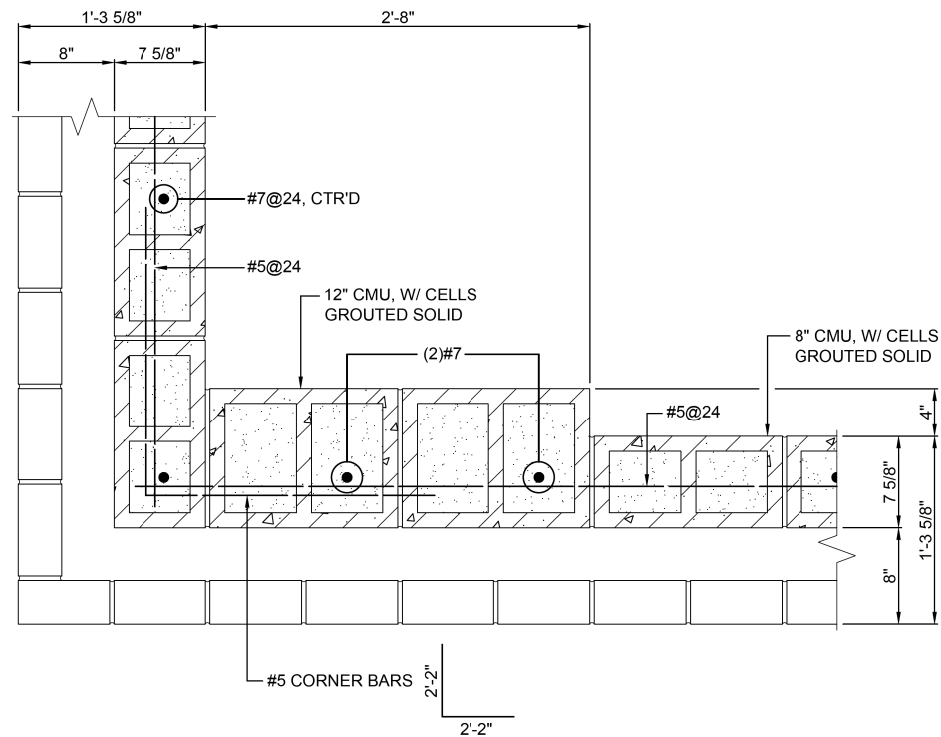


1 CORNER PILASTER DETAIL  
S404 SCALE: 1 1/2"=1'-0"

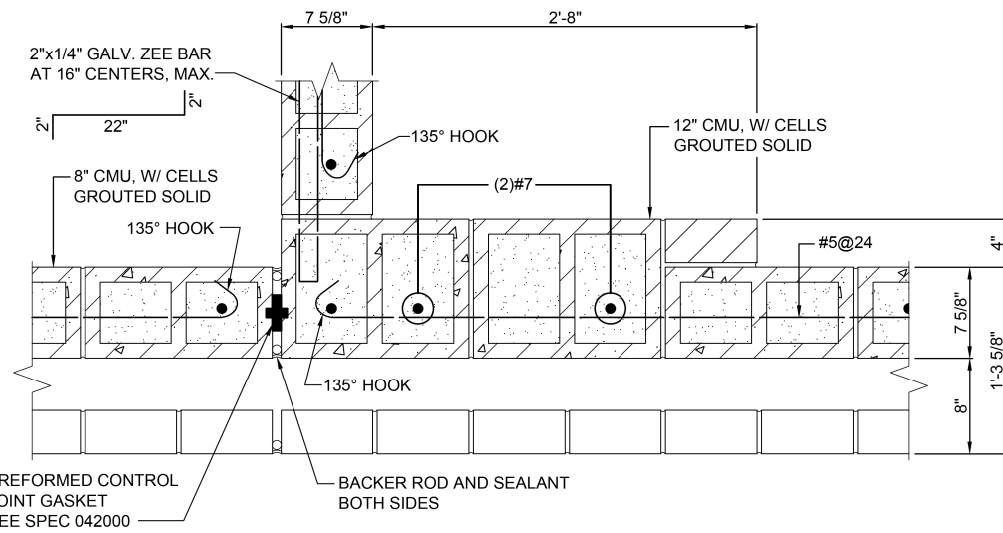


2 PILASTER DETAIL  
S404 SCALE: 1 1/2"=1'-0"

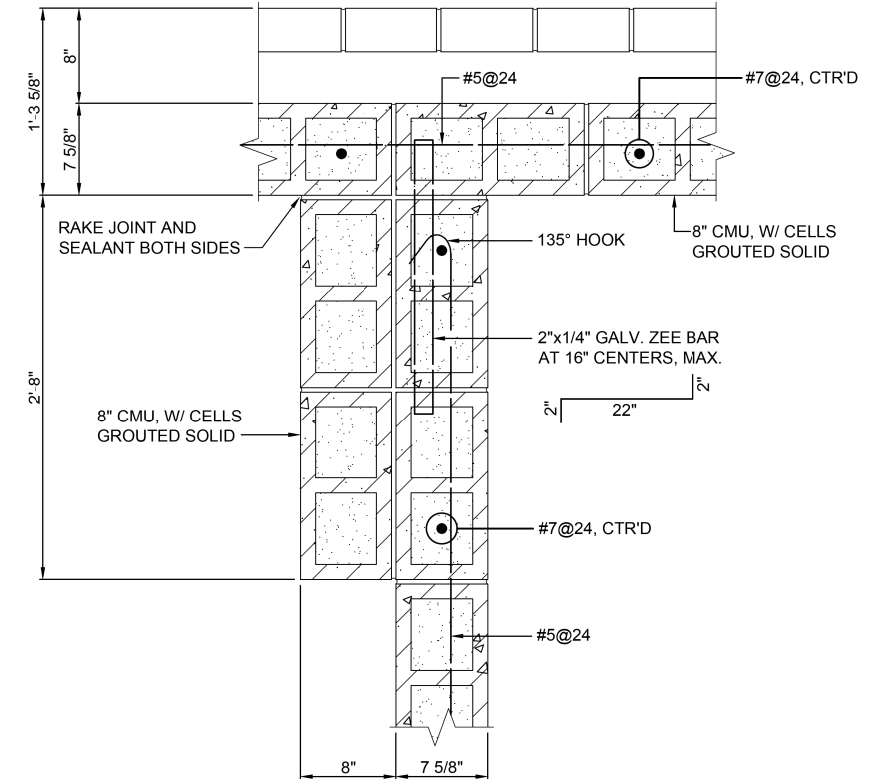
\*NOTE:  
1) THE PRICE OF ALL MASONRY WORK (CMU, BRICK, REINF., ETC.) SHALL BE INCLUDED IN "PUMP STATION GENERAL WORK"



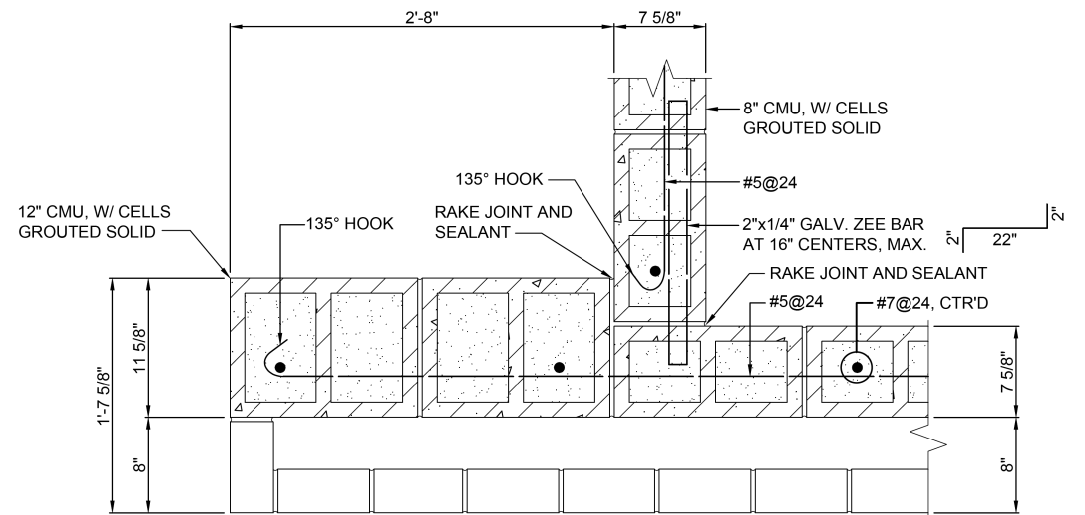
3 CORNER PILASTER DETAIL  
S404 SCALE: 1 1/2"=1'-0"



4 CONTROL JOINT / PILASTER DETAIL  
S404 SCALE: 1 1/2"=1'-0"



5 PILASTER / WALL INTERSECTION DETAIL  
S404 SCALE: 1 1/2"=1'-0"



6 PILASTER / WALL INTERSECTION DETAIL  
S404 SCALE: 1 1/2"=1'-0"

0 3" 6" 1'  
SCALE: 1 1/2"=1'-0"

FILE NAME = G:\115\110223\Work - Drawn - 3 MO Ave Pilz\ACADD Sheets\DB76699-arch-KL.A\_S404.dgn

**KLINGNER & ASSOCIATES, P.C.**  
Engineers • Architects • Surveyors

USER NAME = bgj  
PLOT SCALE = 48.0000' / in.  
PLOT DATE = 8/23/2014

DESIGNED - ADL  
DRAWN - EAW  
CHECKED -  
DATE -

REVISED -  
REVISED -  
REVISED -  
REVISED -

STATE OF ILLINOIS  
DEPARTMENT OF TRANSPORTATION

WELL HOUSE BUILDING - LINTEL, CMU PLAN & DETAILS  
MISSOURI AVENUE DEEP WELL FACILITY

SCALE: AS NOTED SHEET 4 OF 5 SHEETS STA. TO STA.

F.A.I. RTE.	SECTION	COUNTY	TOTAL SHEETS	SHEET NO.
64	82-4T-1	ST. CLAIR	185	118
CONTRACT NO. 76C99				
ILLINOIS FED. AID PROJECT				

S404