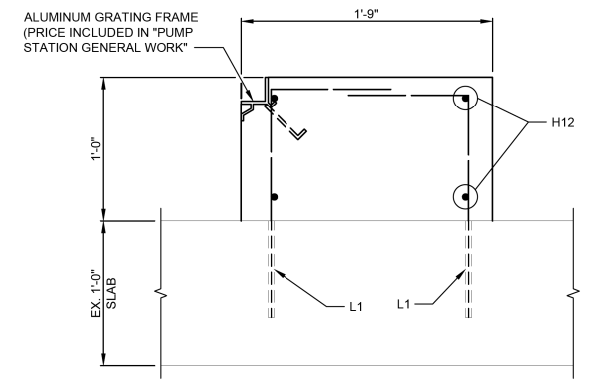
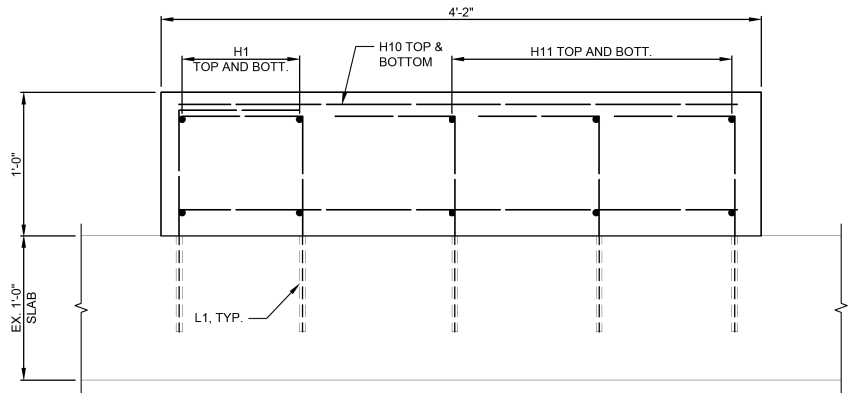


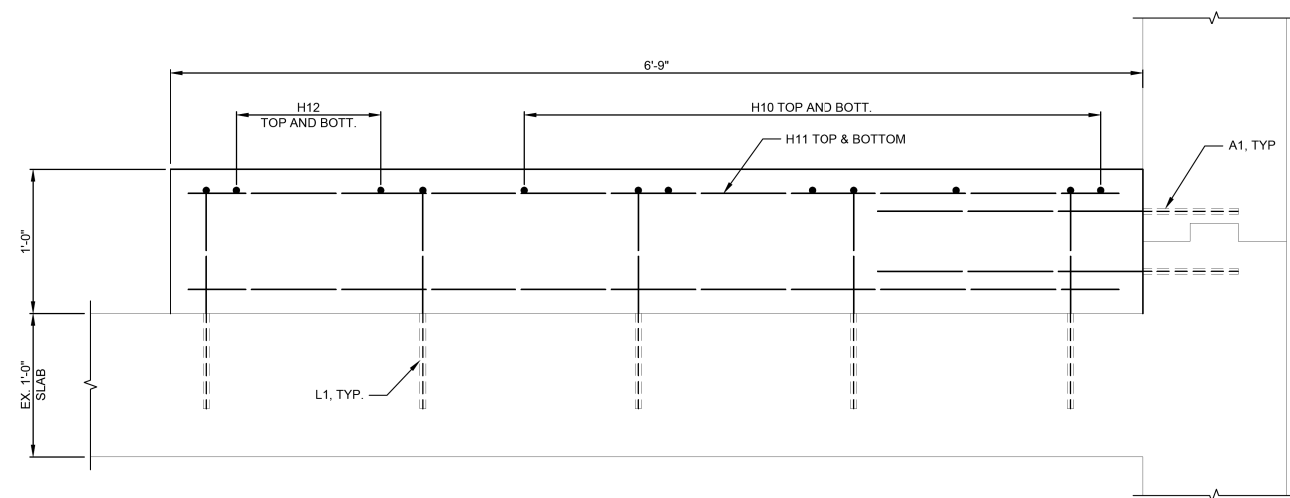
**1** DETAIL  
S702 SCALE: 1"=1'-0"



**A** SECTION  
S702 SCALE: 1 1/2"=1'-0"

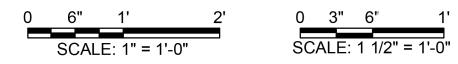


**B** SECTION  
S702 SCALE: 1 1/2"=1'-0"



**C** SECTION  
S702 SCALE: 1 1/2"=1'-0"

- \*NOTE:
- 1) REBAR SHALL BE EPOXY GROUTED INTO EX. CONC. WITH HILTI HIT-HY 150MAX-SD, OR APPROVED EQUAL. \*PRICE INCLUDED IN "CONCRETE STRUCTURES"
  - 2) EXISTING CONCRETE SURFACE IN CONTACT WITH NEW CONCRETE SHALL BE CLEANED AND COATED WITH EPOXY BONDING AGENT, PRIOR TO CONCRETE INSTALLATION. \*PRICE INCLUDED IN "CONCRETE STRUCTURES"



FILE NAME = G:\115\110223\Work Drawn P12\ACADD Sheets\DB76699-ah-t-k-l-a\_S702.dwg

**KLINGNER & ASSOCIATES, P.C.**  
Engineers • Architects • Surveyors

USER NAME = seb  
PLOT SCALE = 40.0000 ' / in.  
PLOT DATE = 8/23/2014

DESIGNED - ADL  
DRAWN - AMS  
CHECKED -  
DATE -

REVISED -  
REVISED -  
REVISED -  
REVISED -

**STATE OF ILLINOIS  
DEPARTMENT OF TRANSPORTATION**

**EXISTING PUMP STATION BUILDING - STRUCTURAL DETAILS  
MISSOURI AVENUE DEEP WELL FACILITY**

SCALE: AS NOTED SHEET 2 OF 5 SHEETS STA. TO STA.

F.A.I. RTE.	SECTION	COUNTY	TOTAL SHEETS	SHEET NO.
64	82-4T-1	ST. CLAIR	185	127
CONTRACT NO. 76C99				
ILLINOIS FED. AID PROJECT				

**S702**