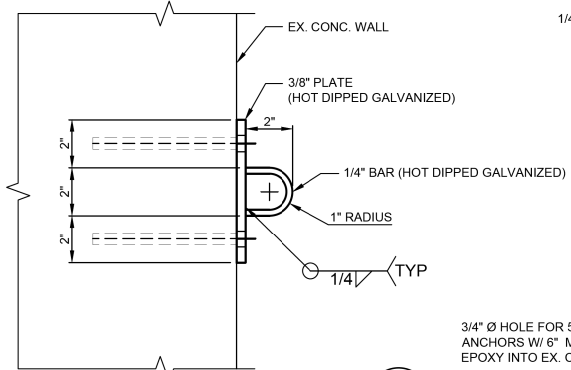


2 DETAIL - TYPICAL HANDRAIL DETAIL
S703 SCALE: 1"=1'-0"

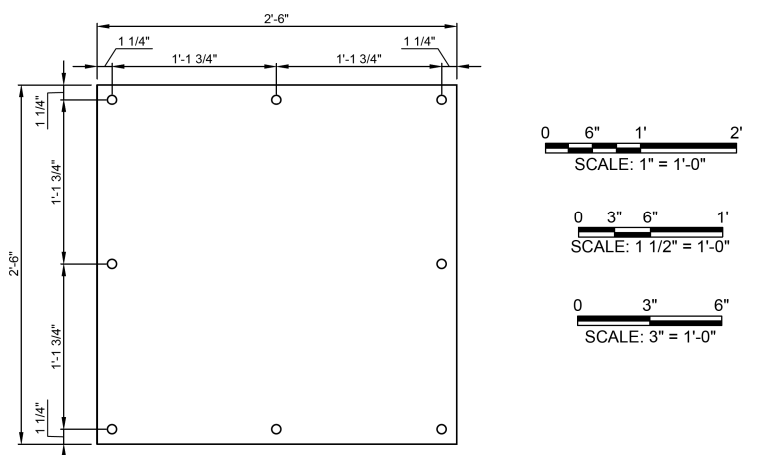
3 DETAIL - TYPICAL RAILING CONNECTION TO WALL
S703 SCALE: 3"=1'-0"

4 DETAIL - TYPICAL MOUNTING PLATE
S703 SCALE: 3"=1'-0"

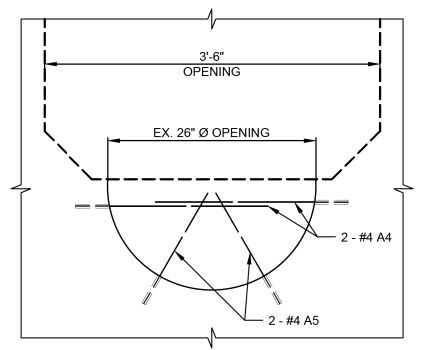
5 DETAIL - TYPICAL HANDRAIL CORNER
S703 SCALE: 3"=1'-0"



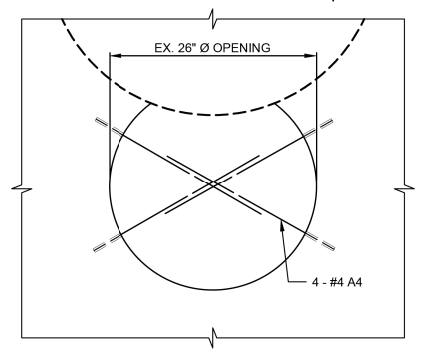
7 DETAIL - TYPICAL CHAIN CONNECTION
S703 SCALE: 3"=1'-0"



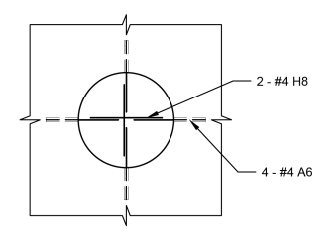
C SECTION - (1 REQ'D)
S703 SCALE: 1 1/2"=1'-0"



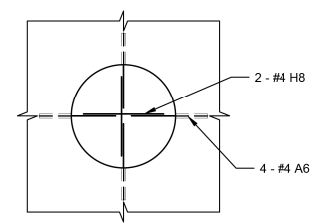
EX. 26" Ø OPENING - ELEV. 393.64



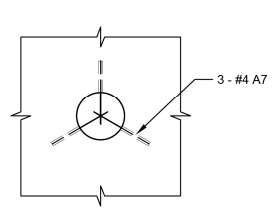
EX. 26" Ø OPENING - ELEV. 412.64 & 418.64



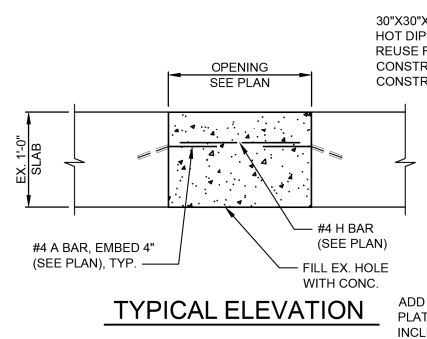
EX. 12" Ø OPENING



EX. 14" Ø OPENING

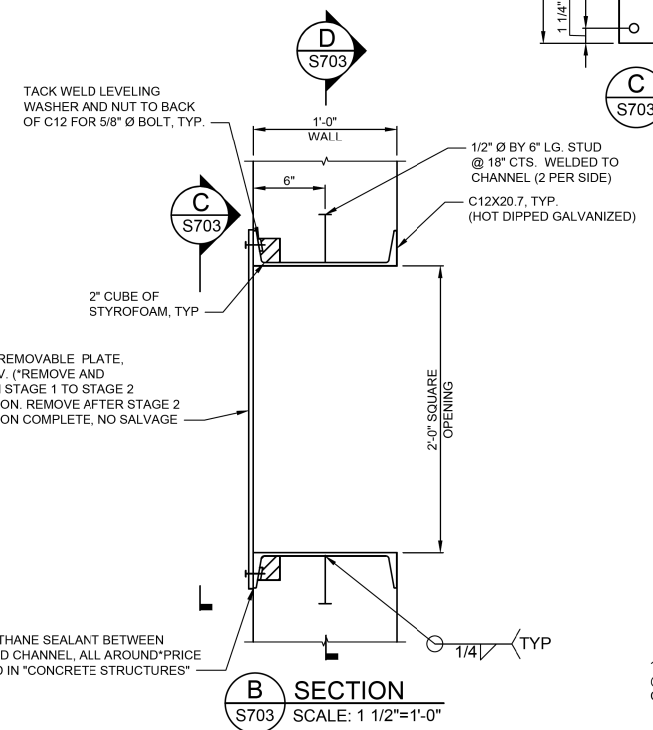


EX. 6" Ø OPENING

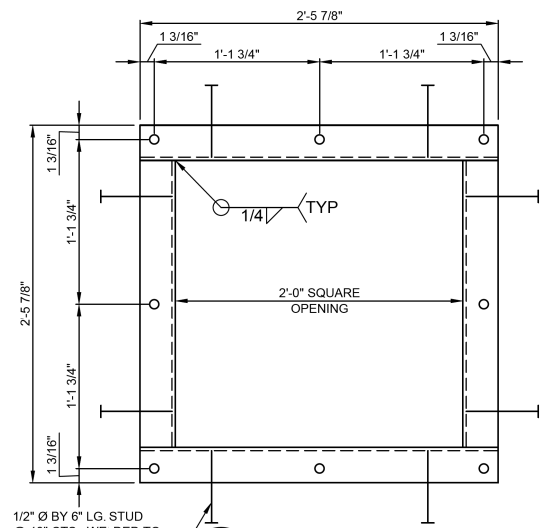


TYPICAL ELEVATION

6 DETAIL - TYPICAL CONC. PATCH REPAIR
S703 SCALE: 1"=1'-0"

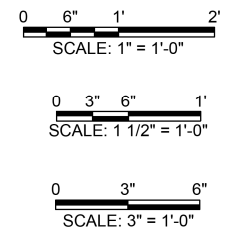


B SECTION
S703 SCALE: 1 1/2"=1'-0"



D SECTION - (2 REQ'D)
S703 SCALE: 1 1/2"=1'-0"

- *NOTE:
- REBAR AND ANCHORS SHALL BE EPOXY GROUTED INTO EX. CONC. WITH HILTI HIT-HY 150MAX-SD, OR APPROVED EQUAL. *PRICE INCLUDED IN "CONCRETE STRUCTURES"
 - EXISTING CONCRETE SURFACE IN CONTACT WITH NEW CONCRETE SHALL BE CLEANED AND COATED WITH EPOXY BONDING AGENT, PRIOR TO CONCRETE INSTALLATION. *PRICE INCLUDED IN "CONCRETE STRUCTURES"
 - THE PRICE OF ALL HANDRAILS AND GRADES 36 AND 50 STRUCTURAL STEEL SHALL BE INCLUDED IN "PUMP STATION GENERAL WORK"



FILE NAME = G:\115\110023\Work - 3 MO Ave. P12\ACADD Sheets\DB76599-struct\KLA_S703.dgn

USER NAME = seb	DESIGNED - ADL	REVISED - AMS 9/25/14
PLOT SCALE = 40.0000' / in.	DRAWN - AMS	REVISED -
PLOT DATE = 9/25/2014	CHECKED -	REVISED -
	DATE -	REVISED -