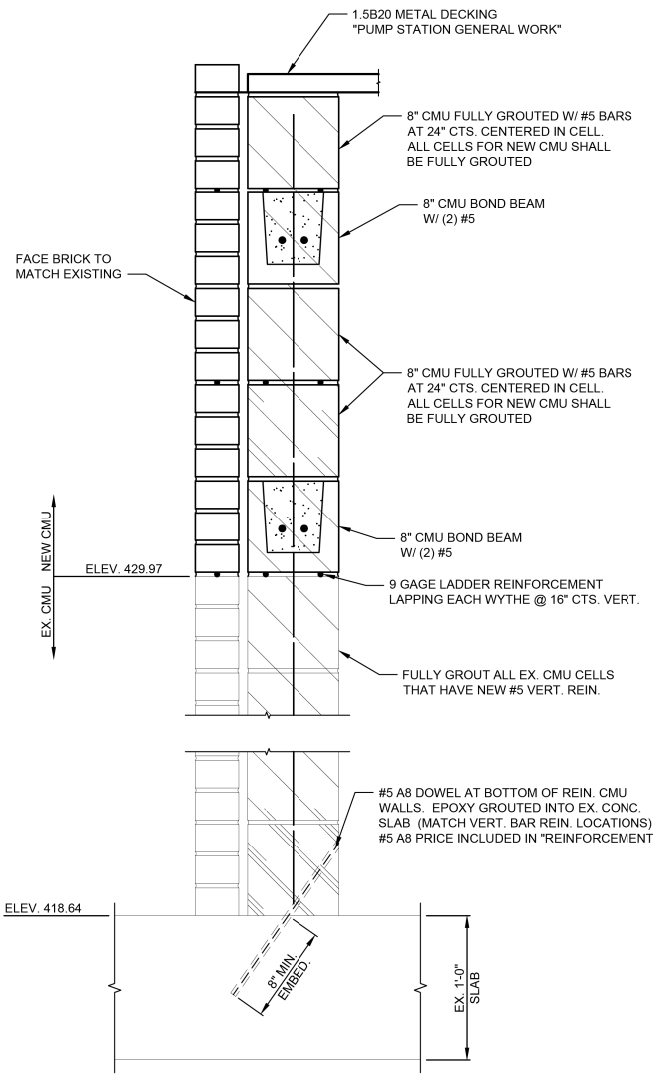
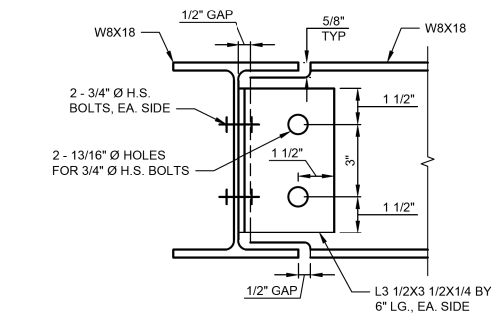


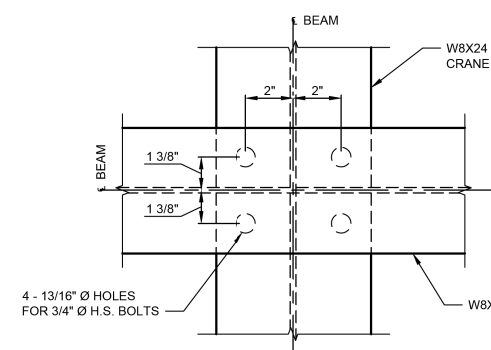
**1 DETAIL**  
S705 SCALE: 1 1/2"=1'-0"



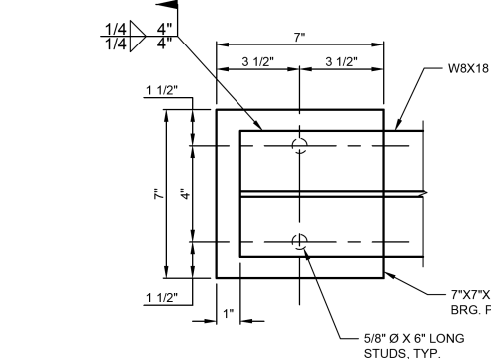
**2 DETAIL**  
S705 SCALE: 1 1/2"=1'-0"



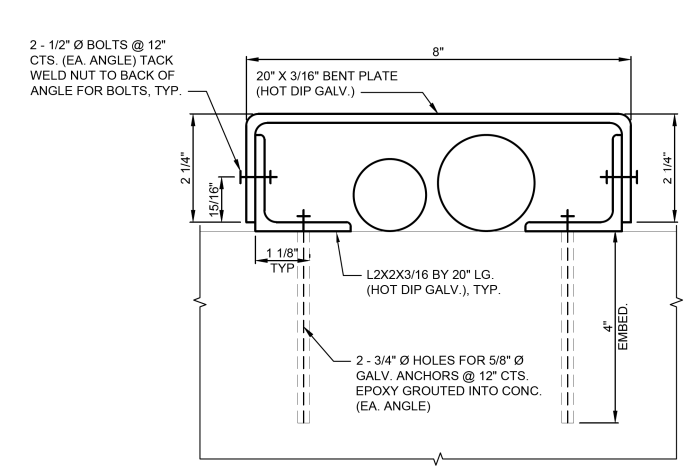
**3 DETAIL**  
S705 SCALE: 3"=1'-0"



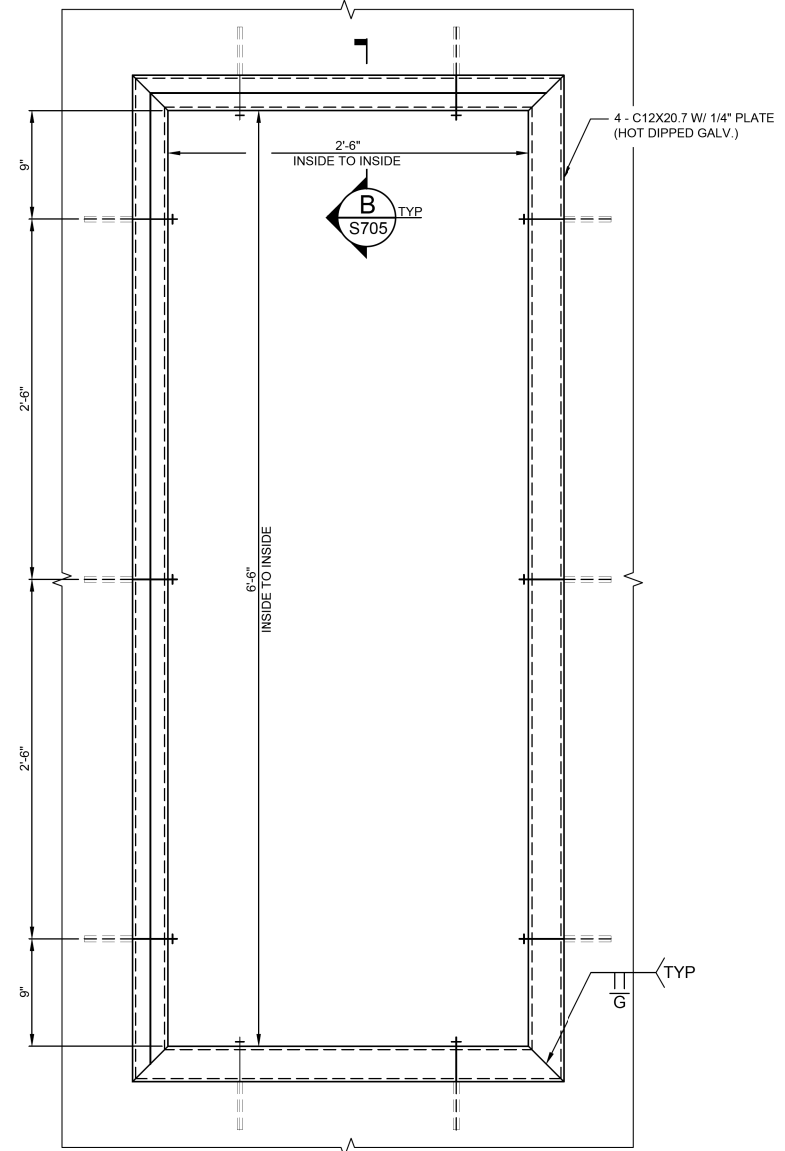
**4 DETAIL**  
S705 SCALE: 3"=1'-0"



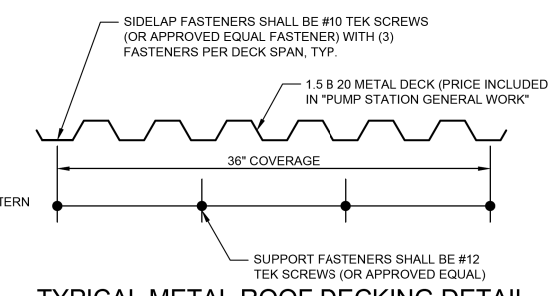
**A SECTION**  
S705 SCALE: 3"=1'-0"



**C SECTION - 3 REQ'D**  
S705 SCALE: 6"=1'-0"

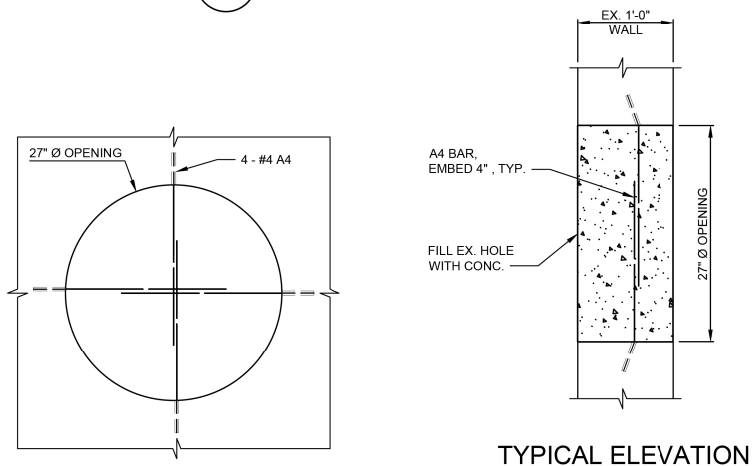


**5 DETAIL**  
S705 SCALE: 1 1/2"=1'-0"



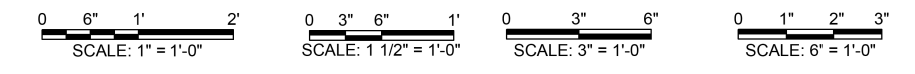
**TYPICAL METAL ROOF DECKING DETAIL**  
SCALE: 1 1/2" = 1'-0"

- \*NOTE:
- 1) REBAR AND ANCHORS SHALL BE EPOXY GROUTED INTO EXISTING CONCRETE WITH HILTI HIT-HY 150MAX-SD, OR APPROVED EQUAL. \*PRICE INCLUDED IN "CONCRETE STRUCTURES"
  - 2) EXISTING CONCRETE SURFACE IN CONTACT WITH NEW CONCRETE SHALL BE CLEANED AND COATED WITH EPOXY BONDING AGENT, PRIOR TO CONCRETE INSTALLATION. \*PRICE INCLUDED IN "CONCRETE STRUCTURES"
  - 3) THE PRICE OF ALL MASONRY WORK (CMU, BRICK, REINFORCEMENT, ETC.) SHALL BE INCLUDED IN "PUMP STATION GENERAL WORK"
  - 4) SEE ARCHITECTURAL DRAWINGS FOR ROOF DETAILS
  - 5) THE PRICE OF ALL HANDRAILS AND GRADES 36 AND 50 STRUCTURAL STEEL SHALL BE INCLUDED IN "PUMP STATION GENERAL WORK"



**TYPICAL ELEVATION**

**6 DETAIL**  
S705 SCALE: 1"=1'-0"



FILE NAME = G:\115\110223\Work - Dmndr\_3\_M0\_Avgr\_P12\ACADD\_Sheets\110223\110223-Struct.dwg