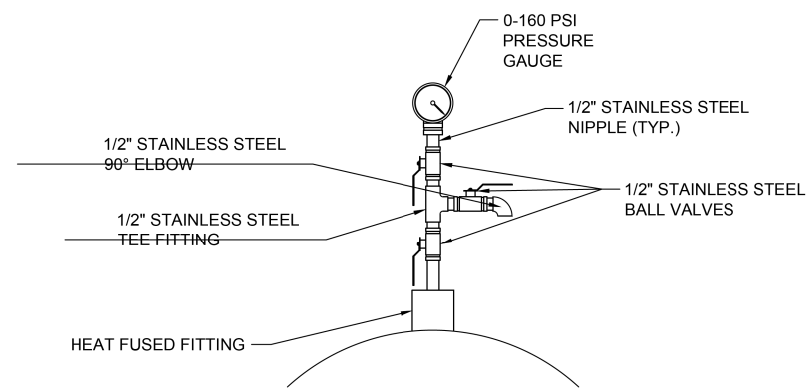
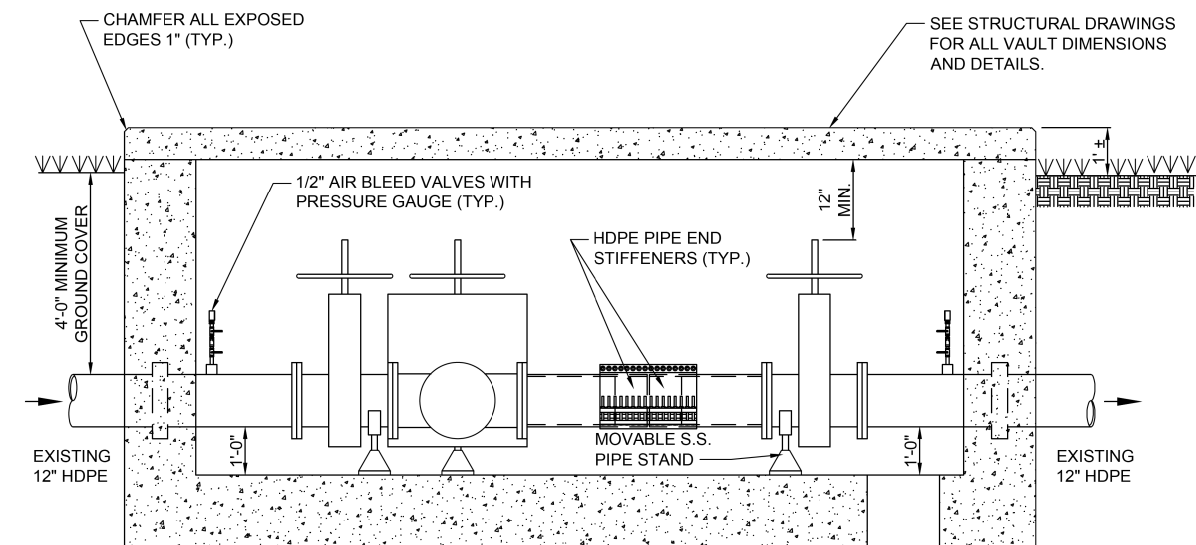


**NOTE:**

1. USE 304L OR 316L STAINLESS STEEL AND TEFLON TAPE ON THREADED CONNECTIONS.
2. ALL PRESSURE GAUGES SHALL BE 2-1/2" DIAMETER WITH STAINLESS STEEL CASE AND WETTED PARTS. THE PRESSURE GAUGE SHALL BE SCALED 0 TO 160 PSI.

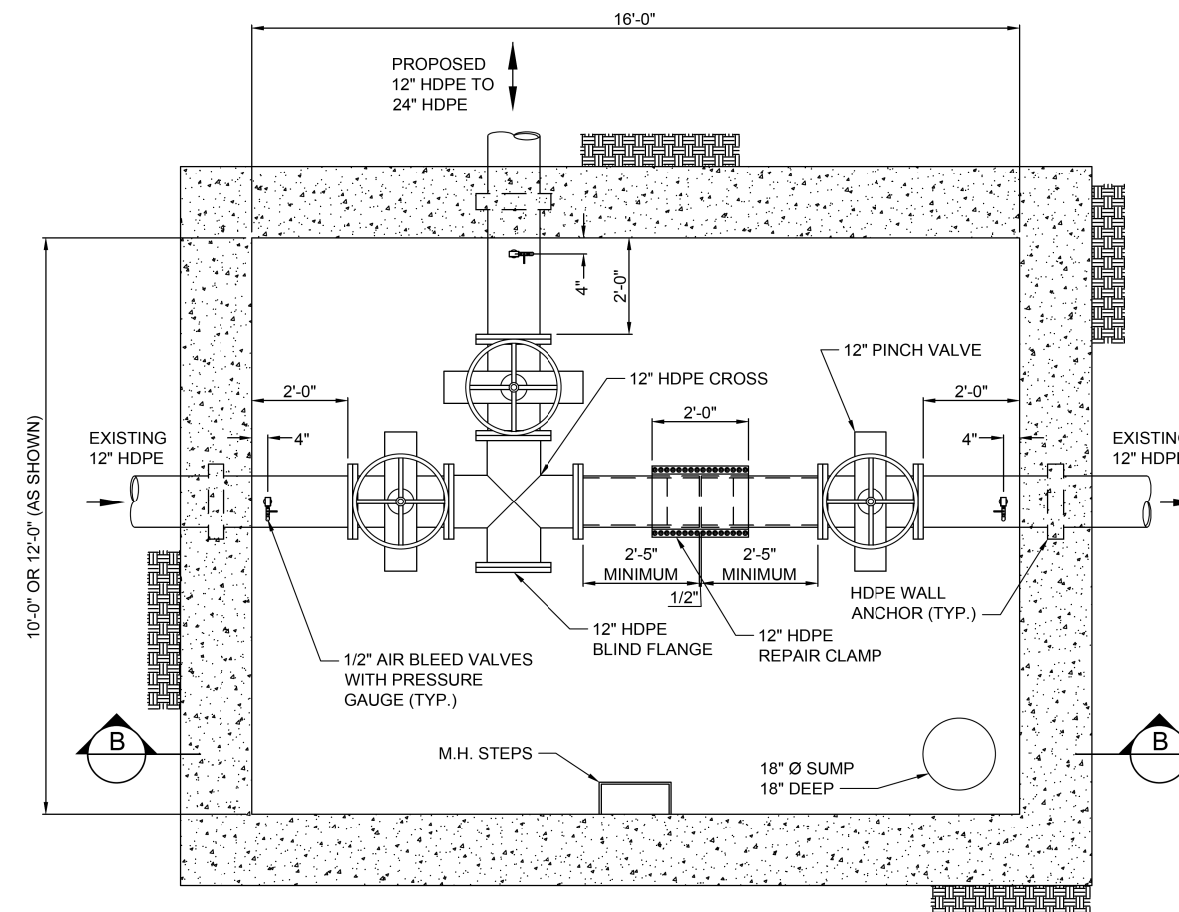


**TYPICAL 1/2" AIR BLEED VALVES WITH PRESSURE GAUGE DETAIL**  
SCALE: 1/2" = 1'-0"



**NOTE:**  
INSTALL 316L S.S. STIFFENERS IN EACH PLAIN END OF HDPE PIPE (TYPICAL)

**B SECTION**  
SCALE: 1/2" = 1'-0"



**EXISTING 12" MAIN TIE-IN VALVE VAULT PLAN**

**NOTE:**  
MANHOLE STEPS (STD 602701) IN-LINE WITH CENTER OF FRAME AND LID

SCALE: 1/2" = 1'-0"

LOCATION: C4, C5, C7

FILE NAME = G:\11\11es\110023\Work\_Drwnr\_3\_MO\_Ave\_P12\2\CADD\_Sheets\187699-ahc-KL.A\_Mech.dgn

**KLINGNER & ASSOCIATES, P.C.**  
Engineers • Architects • Surveyors

USER NAME = seb	DESIGNED - SEH	REVISED -
	DRAWN - CWL	REVISED -
PLOT SCALE = 40.0000' / in.	CHECKED -	REVISED -
PLOT DATE = 8/23/2014	DATE -	REVISED -

**STATE OF ILLINOIS**  
**DEPARTMENT OF TRANSPORTATION**

**HORIZONTAL COLLECTOR WELL - VAULT PIPING DETAILS**  
**MISSOURI AVENUE DEEP WELL FACILITY**

SCALE: AS NOTED SHEET 3 OF 4 SHEETS STA. TO STA.

F.A.I. RTE.	SECTION	COUNTY	TOTAL SHEETS	SHEET NO.
64	82-4T-1	ST. CLAIR	185	143
CONTRACT NO. 76C99				
ILLINOIS FED. AID PROJECT				

M105