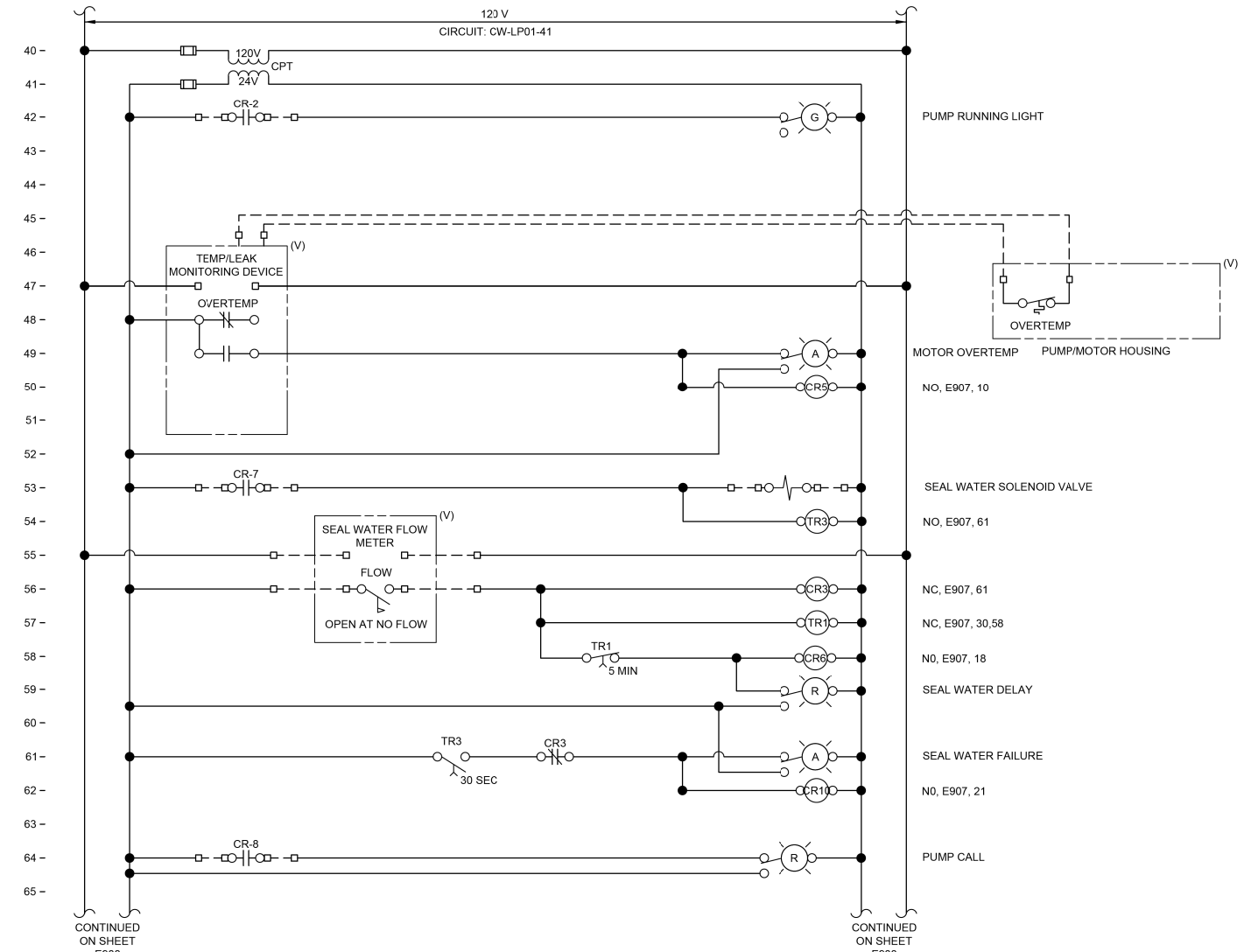


SW-CP01

- NO, E907, 29
- ELAPSED TIME RUNNING METER
- MOTOR STARTS COUNTER
- PUMP RUNNING
- NO, E907, 15
- PUMP RUNNING LIGHT
- NO, E907, 42
- MOTOR OVERTEMP
- NC, E907, 29
- MOTOR OVERTEMP
- NO, E907, 53
- SEAL WATER DELAY
- SEAL WATER DELAY
- SEAL WATER FAILURE
- SEAL WATER FAILURE
- NO, E907, 28.64
- PUMP CALL
- SPEED COMMAND
- SPEED FEEDBACK
- NO, E907, 14
- REMOTE
- FAIL ALARM
- FAIL ALARM

CONTROL DRAWING No. 2

TYPICAL FOR PUMPS: SW-P01, SW-P02, AND SW-P03



SW-CP02

- PUMP RUNNING LIGHT
- MOTOR OVERTEMP PUMP/MOTOR HOUSING
- NO, E907, 10
- SEAL WATER SOLENOID VALVE
- NO, E907, 61
- NC, E907, 61
- NC, E907, 30.58
- NO, E907, 18
- SEAL WATER DELAY
- SEAL WATER FAILURE
- NO, E907, 21
- PUMP CALL
- CONTINUED ON SHEET E908

FILE NAME = G:\115\110223\Work_Drwnr_3_M0_Avg_P12\AC000_Sheets\DB76699-ht-KL04_Elec_S.dgn



USER NAME = seb	DESIGNED - JJN	REVISED - JJN - 9/24/14
PLOT SCALE = 40.0000' / in.	DRAWN - JJN	REVISED -
PLOT DATE = 9/25/2014	CHECKED -	REVISED -
	DATE -	REVISED -

STATE OF ILLINOIS
DEPARTMENT OF TRANSPORTATION

CONTROL DRAWINGS	
MISSOURI AVENUE DEEP WELL FACILITY	
SCALE:	SHEET 2 OF 6 SHEETS STA. TO STA.

F.A.I. RTE.	SECTION	COUNTY	TOTAL SHEETS	SHEET NO.
64	82-4T-1	ST. CLAIR	185	181
CONTRACT NO. 76C99				
ILLINOIS FED. AID PROJECT				

E907