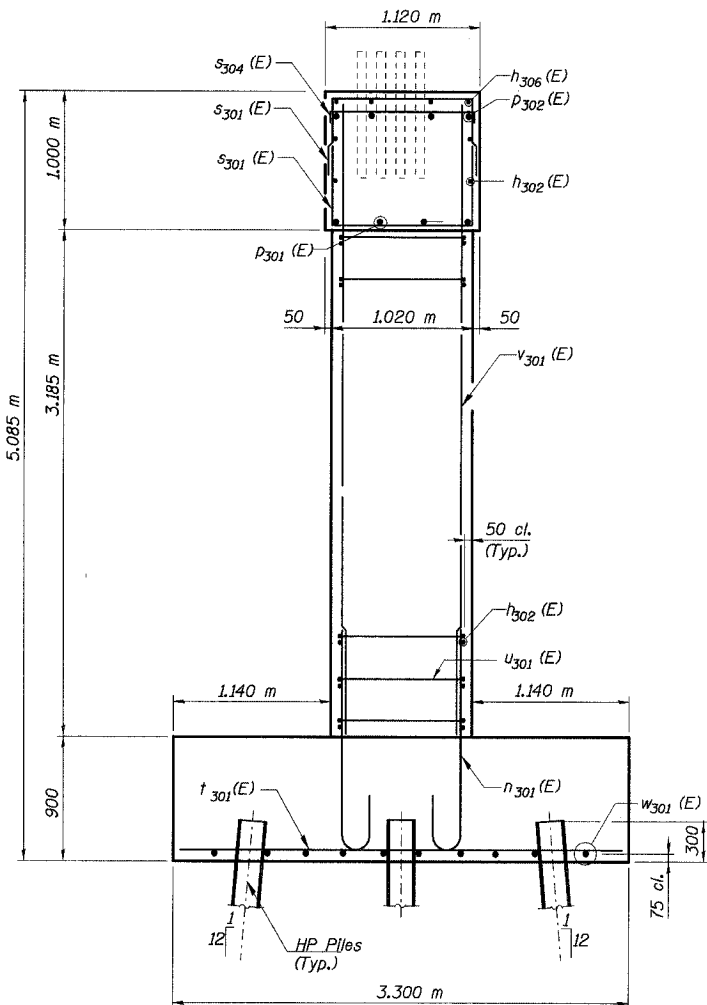
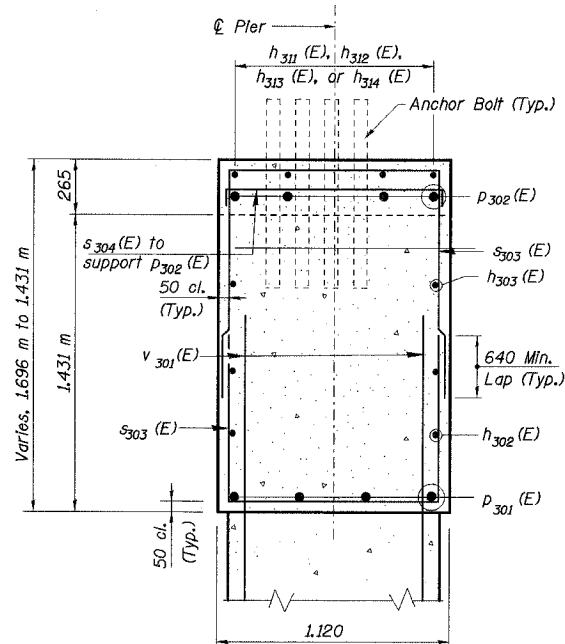


STATE OF ILLINOIS
DEPARTMENT OF TRANSPORTATION

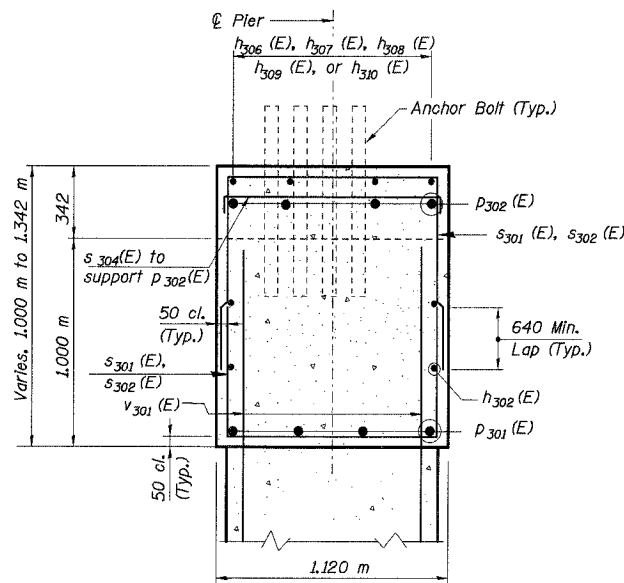
ROUTE NO. F. A. I. 80/94	SECTION *	COUNTY COOK	TOTAL SHEETS 870	SHEET NO. 592	SHEET NO. 78 91 SHEETS
FED. ROAD DIST. NO. 1		ILLINOIS FED. AID PROJECT-			
(02033.1 & 0312-708W) R-3		CONTRACT NO. 62108			



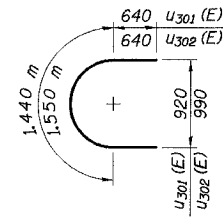
END VIEW
(Looking West)



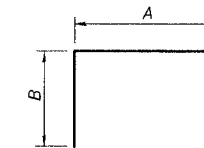
SECTION A-A



SECTION B-B



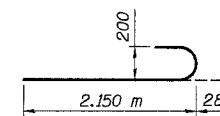
BARS U301(E) & U302(E)



BARS s301(E) thru s304(E)

A & B DIMENSIONS

Bar	A	B
s301(E)	1020	870
s302(E)	1020	940
s303(E)	1020	1120
s304(E)	1020	260



BAR n301(E)

BILL OF MATERIAL

Bar	No.	Size	Length (m)	Shape
h302(E)	78	#15	9,100	—
h303(E)	4	#15	10,200	—
h304(E)	2	#15	10,100	—
h305(E)	2	#15	3,700	—
h306(E)	4	#15	2,500	—
h307(E)	4	#15	3,100	—
h308(E)	4	#15	4,100	—
h309(E)	4	#15	2,500	—
h310(E)	4	#15	2,900	—
h311(E)	4	#15	3,100	—
h312(E)	4	#15	6,800	—
h313(E)	4	#15	5,100	—
h314(E)	4	#15	2,000	—
p301(E)	213	#25	2,430	U
p302(E)	8	#20	13,800	—
s301(E)	52	#15	2,760	□
s302(E)	36	#15	2,900	□
s303(E)	88	#15	3,260	□
s304(E)	30	#15	1,540	□
t301(E)	130	#25	3,200	—
u301(E)	22	#15	2,720	U
u302(E)	11	#15	2,830	U
v301(E)	184	#25	3,970	—
w301(E)	40	#15	8,400	—
ITEM	UNIT	QUANTITY		
Structure Excavation	m ³	253		
Concrete Structures	m ³	222.0		
Reinforcement Bars, Epoxy Coated	kg	10,060		
Furnishing Steel Piles HP 360x152	m	724.0		
Driving Steel Piles	m	724.0		
Test Pile Steel HP 360x152	Each	2		
Controlled Low Strength Material	m ³	5.5		

Notes:

- Work this Sheet with Sheet No. 75, 76, & 77 of 91.
- All dimensions are in millimeters (mm) except as noted.

DESIGNED	DBT/MAS
CHECKED	BDL/PCA
DRAWN	CAB/PCA
CHECKED	DBT/KGN

L:\k1155\2\155\2\CADD\B\SN_2800\cadd\CTR_19_2800\p199344a_2800.dgn
 28-NOV-2005 14:43

ILLINOIS DEPARTMENT OF TRANSPORTATION
I-94 EAST BOUND / IL 394 SOUTH BOUND
PIER 3 SECTION & DETAILS
SB IL ROUTE 394 OVER THORN CREEK
F.A.P. 332 SECTION (02033.1 & 0312-708W) R-3
COOK COUNTY
STA. 440+704.350 STRUCTURE NO. 016-2800
DATE JUL 18, 2005
SCALE ---
HNTB