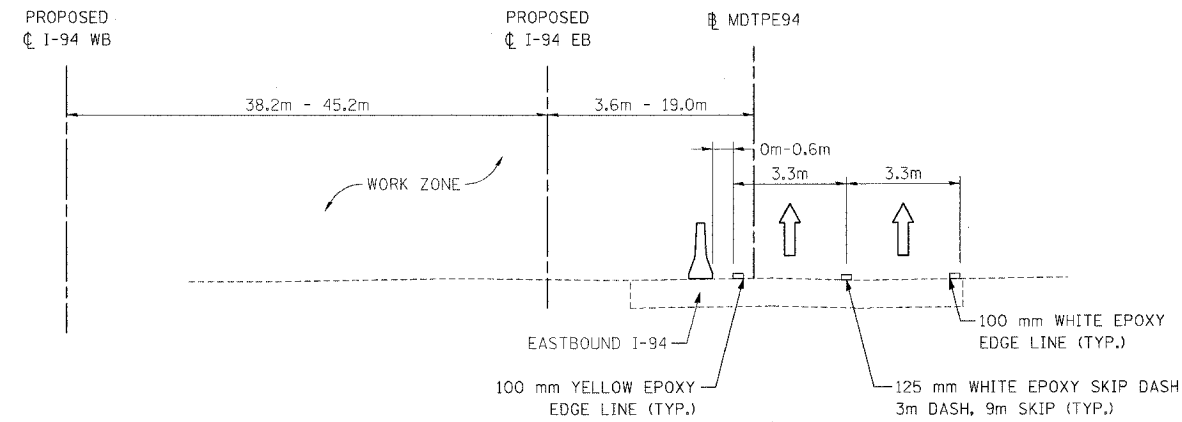
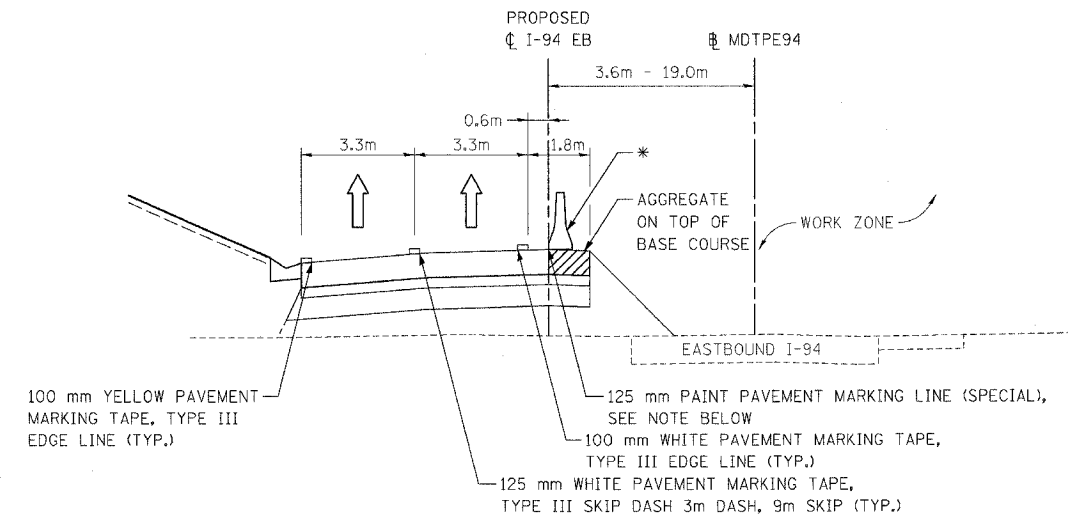


* (0203.1 & 0312-708W) R-3		CONTRACT #62108	
F.A.I. RTE.	SECTION	COUNTY	TOTAL SHEETS
80/394	*	COOK	870
STA.		TO STA.	
FED. ROAD DIST. NO. 1		ILLINOIS FED. AID PROJECT	



STAGE 1 MAINTENANCE OF TRAFFIC EXISTING TYPICAL SECTION - INTERSTATE 94 EB  
 (STA. 20+775 TO STA. 20+991 I-94 EB)  
 (STA. 24+299 TO STA. 25+516 MDTPE94)



STAGE 2 MAINTENANCE OF TRAFFIC EXISTING TYPICAL SECTION - INTERSTATE 94 EB  
 (STA. 20+775 TO STA. 20+991 I-94 EB)  
 (STA. 24+299 TO STA. 25+516 MDTPE94)

\* THE TEMPORARY CONCRETE BARRIER CAN BE REMOVED AND REPLACED WITH DRUMS AT 15 m CENTERS AFTER THE BASE COURSE IS INSTALLED FOR THE RIGHT LANE AND THE RAMP. THE PAVEMENT POUR SHOULD BE SCHEDULED DURING THE ALLOWABLE NIGHTTIME LANE CLOSURE HOURS.

NOTE:  
 THE PAINTED STRIPE SHALL BE YELLOW IN COLOR AND INSTALLED AT THE CENTER OF ALL DRAINAGE STRUCTURES LOCATED TO THE CONCRETE BARRIER WALL. THE STRIPE SHALL START AT THE DRAINAGE STRUCTURE GRATE RUN UP THE FACE OF THE WALL (PERPENDICULAR TO THE ADJACENT SHOULDER OR PAVEMENT) AND ACROSS THE TOP OF THE WALL.

MT-48

REVISIONS		ILLINOIS DEPARTMENT OF TRANSPORTATION I-94 EASTBOUND / IL 394 SOUTHBOUND
NAME	DATE	
		MAINTENANCE OF TRAFFIC TYPICAL SECTIONS DATE: JULY 18, 2005 DRAWN BY: AAS CHECKED BY: RCH 