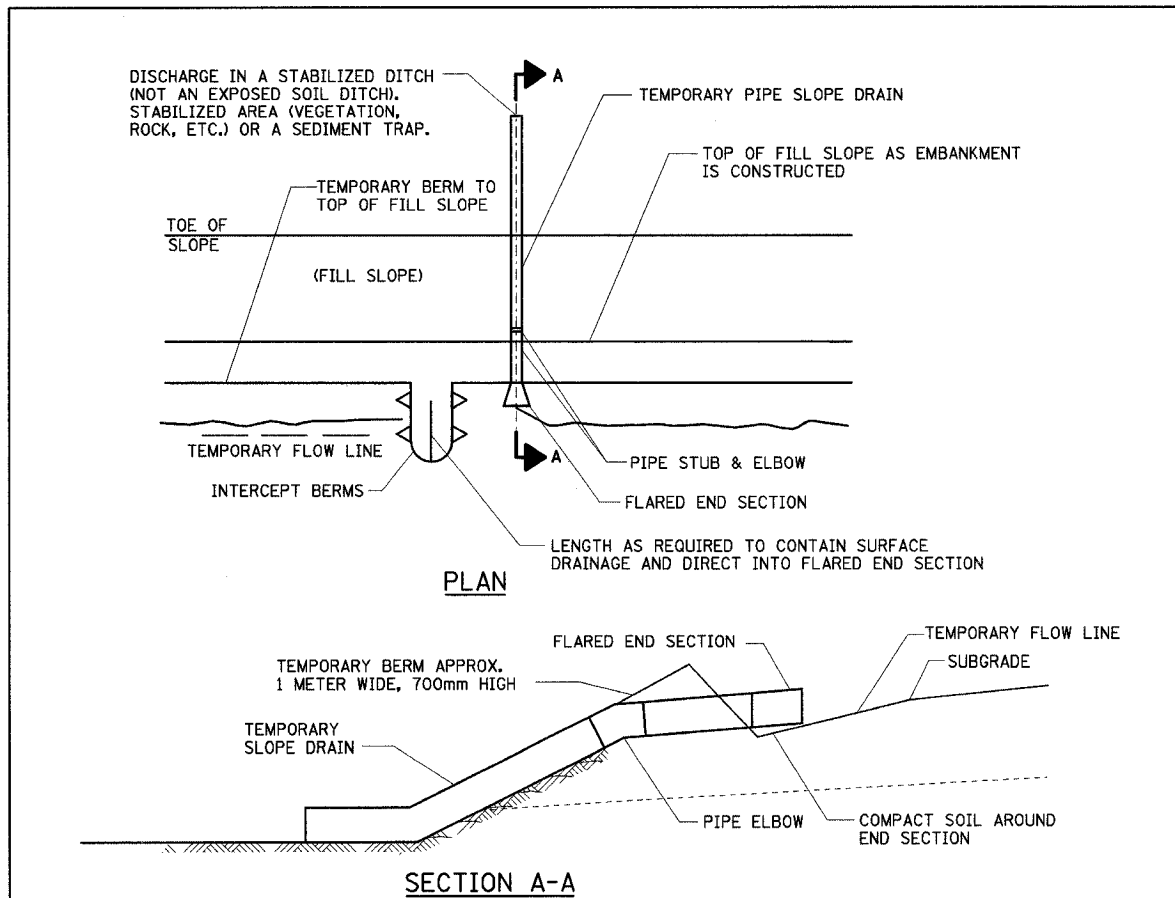


F.A.I. RTE	SECTION	COUNTY	TOTAL SHEETS	SHEET NO.
80/94	•	COOK	870	415
STA.		TO STA.		
FED. ROAD DIST. NO.		ILLINOIS FED. AID PROJECT		

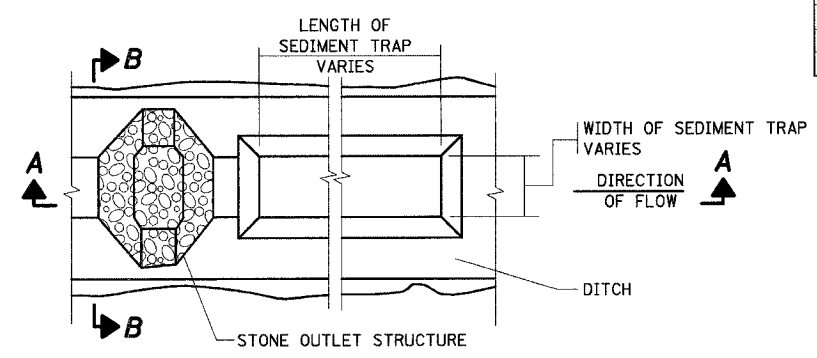
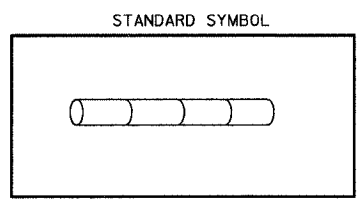


TEMPORARY SLOPE DRAIN SHALL BE USED AT THE TOP OF FILL SLOPE AS EMBANKMENT IS CONSTRUCTED TO PREVENT EXCESSIVE EROSION UNTIL SHOULDERS ARE CONSTRUCTED AND THE SLOPES ARE SEEDED AND MULCHED.

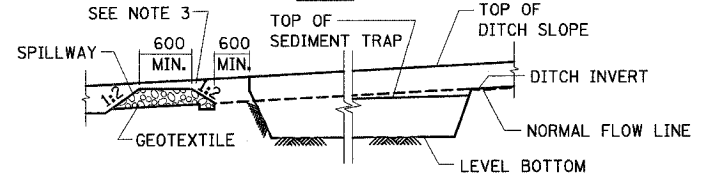
**EROSION CONTROL
TEMPORARY PIPE SLOPE DRAIN**

GENERAL NOTES:

1. ALL DIMENSIONS AND LOCATIONS NOT INDICATED, FOR ITEMS APPEARING ON THIS SHEET OR ON THE PLANS SHALL BE DIRECTED BY THE ENGINEER.
2. THE CONTRACTOR SHALL PLACE GEOTEXTILE AROUND THE METAL END SECTION TO PREVENT BLOW-OUTS.
3. ALL TEMPORARY SLOPE DRAINS WILL DISCHARGE INTO THE BACK OF SEDIMENT TRAPS, INTO SEDIMENT BASINS OR DITCHES DISCHARGING INTO TRAPS OR BASINS.
4. PIPE WILL BE SECURED THROUGH USE OF HOLD DOWN STAKES WITH A MAXIMUM SPACING OF 3 METERS.
5. TEMPORARY PIPE SLOPE DRAINS WILL BE SPACED A MAX. OF EVERY 150 METERS ALONG THE FILL WITH A STANDARD DIA. OF 450mm. THIS PIPE SIZE IS ADEQUATE TO HANDLE 0.6 HECTARES OF CONTRIBUTING AREA. SPACING OR SIZE TO BE ADJUSTED IF CONTRIBUTING AREA IS LARGER THAN 0.6 HECTARES. AT LEAST TWO TEMPORARY PIPE SLOPE DRAINS WILL BE PLACED IN EVERY SAG.
6. STAPLES SHALL BE USED TO ANCHOR THE FILTER FABRIC AND SHALL BE UNIFORMLY SPACED AT APPROXIMATELY 300mm.

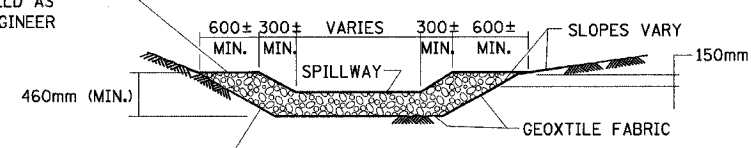


PLAN



SECTION A-A

TOP ELEVATION OF STRUCTURE SHALL BE SET IN FIELD AS DIRECTED BY THE ENGINEER



SECTION B-B

1. USE IN EXISTING, PROPOSED AND TEMPORARY DITCHES OF ALL TYPES AS SHOWN ON PLANS OR AS DIRECTED BY THE ENGINEER.
2. THE STONE OUTLET STRUCTURES SHALL BE REPLACED DUE TO WASHOUT, CONSTRUCTION TRAFFIC DAMAGE OR SILT ACCUMULATION. THE SILT SHALL BE CLEANED WHEN THE TRAP IS 50% FULL.
3. THIS WORK WILL BE PAID FOR UNDER THE FOLLOWING ITEMS: EARTH EXCAVATION FOR EROSION CONTROL STONE RIPRAP, CLASS A4 FILTER FABRIC FOR USE WITH RIPRAP.

STONE OUTLET STRUCTURE SEDIMENT TRAP
USE AS DIRECTED BY ENGINEER

DRAINAGE AREA	L	W	CAPACITY CM
0.2ha	23m	3m	53
0.4ha	44m	3m	103
0.6ha	44m	4.6m	154
0.80ha	60m	4.6m	207

NOTE:
ALL DIMENSIONS ARE BASED UPON AN AVERAGE DEPTH OF 760mm AND PROVIDING, AS A MINIMUM 102 CUBIC METERS OF STORAGE PER Ha OF RUNOFF. L AND W ARE MEASURED ALONG THE BOTTOM OF THE TRAP. WHENEVER POSSIBLE, THE MAXIMUM AVERAGE DEPTH OF THE TRAP WILL BE 760mm. THE MAXIMUM DRAINAGE ALLOWED PER TRAP IS 2Ha. THE DRAINAGE AREA IS THE TOTAL (INCLUDING OFF-SITE) AREA.

REVISIONS	
NAME	DATE

ILLINOIS DEPARTMENT OF TRANSPORTATION
I-94 EAST BOUND / IL 394 SOUTH BOUND

**EROSION AND SEDIMENT CONTROLS
DETAILS**

HORIZ SCALE: NONE
VERT SCALE: NONE
DATE: JULY 18, 2005

DRAWN BY: DKB
CHECKED BY: MAM

HNTB