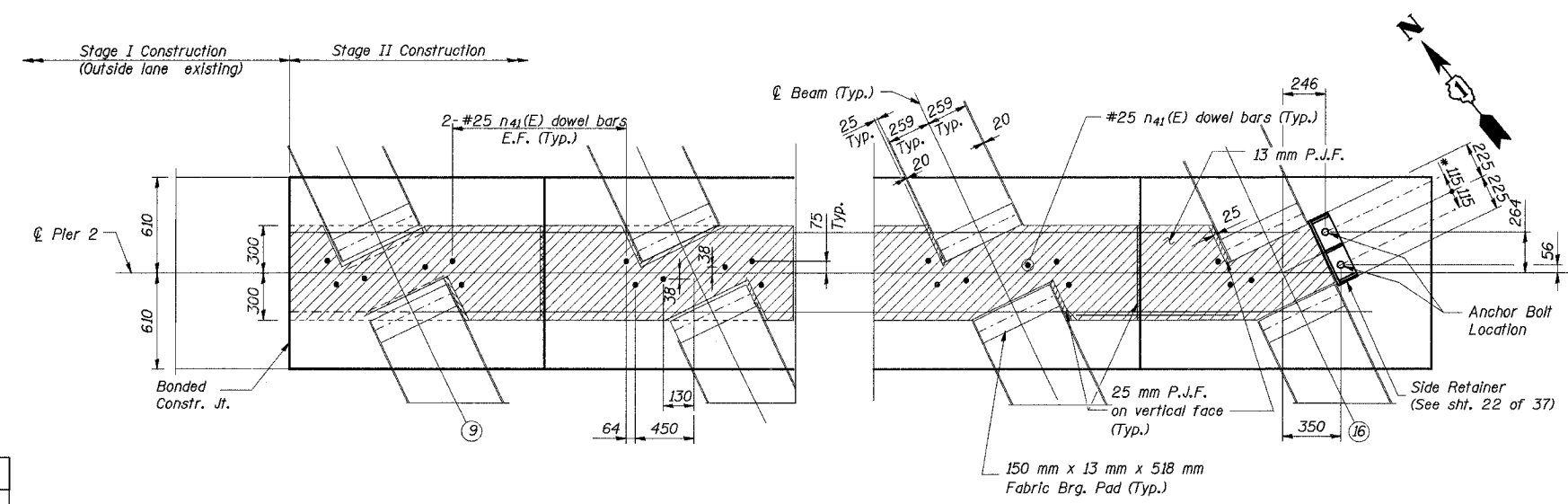
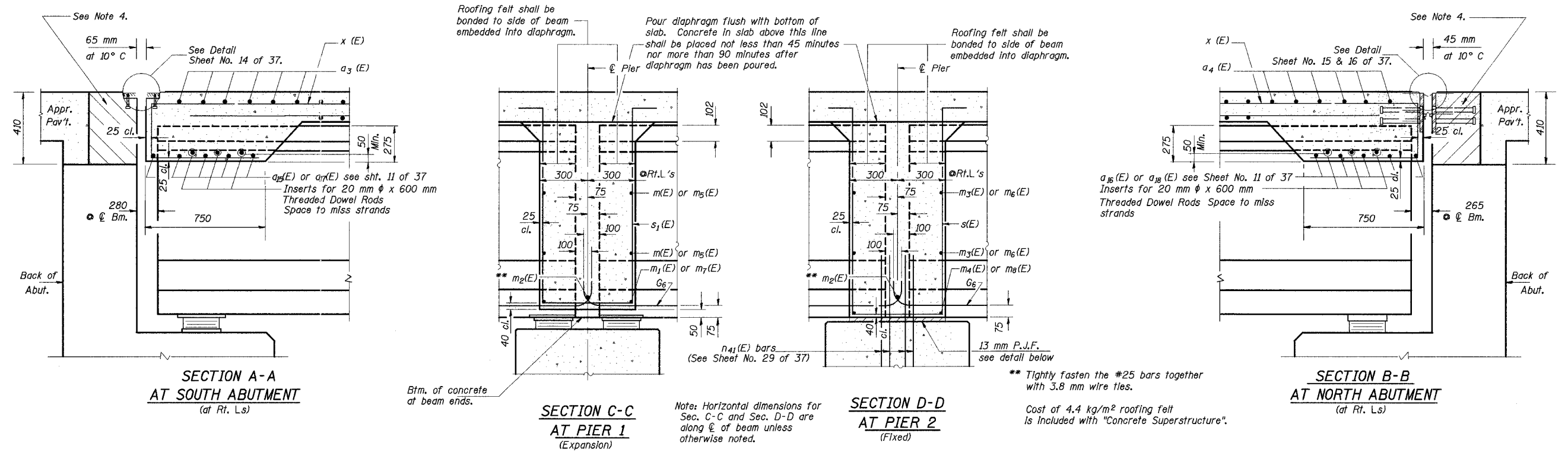


STATE OF ILLINOIS
DEPARTMENT OF TRANSPORTATION

ROUTE NO.	SECTION	COUNTY	TOTAL SHEETS	SHEET NO.	SHEET NO. 12
F.A.L. 80/94		COOK	870	485	37 SHEETS
FED. ROAD DIST. NO. 1	ILLINOIS	FED. AID PROJECT-			
SECTION (0203.1 & 0312-708W) R-3			CONTRACT # 62108		



- Notes:
- All dimensions are in millimeters (mm) except as noted.
 - Work this sheet with Sheet No. 11 of 37.
 - See Sheet No. 14, 15 & 16 of 37 for expansion joint details.
 - Hatched area to be poured after Superstructure forms have been removed. Quantity of concrete included with Concrete Superstructure.
- * M36x450 Anchor Bolts with 75x75x8 mm ϕ washer under nut. Holes in cap to be drilled after beams are in place.

DESIGNED	M.R./ H.T.
CHECKED	H.T.
DRAWN	J.B./ J.S.
CHECKED	H.T./ M.R.

ILLINOIS DEPARTMENT OF TRANSPORTATION
I-94/IL 394 SOUTH BOUND
DIAPHRAGM DETAILS 2 OF 2
SB IL. ROUTE 394 OVER CANADIAN NATIONAL RR
F.A.P. 332 SECTION (0203.1 & 0312-708W) R-3
COOK COUNTY
STA. 39+752.246 S.N. 016-2798 (INSIDE LANES)
DATE: July 18, 2005
SCALE: NONE
Soodan
Soodan & Associates, Inc.
100 North LaSalle Street, Suite 1800
Chicago, Illinois 60602