

STATE OF ILLINOIS  
DEPARTMENT OF TRANSPORTATION

ROUTE NO.	SECTION	COUNTY	TOTAL SHEETS	SHEET NO.	SHEET NO. 15 37 SHEETS
F.A.I. 80/94		COOK	870	488	
FED. ROAD DIST. NO. 1	ILLINOIS FED. AID PROJECT-		SECTION (0203.1 & 0312-708W) R-3 CONTRACT # 62108		

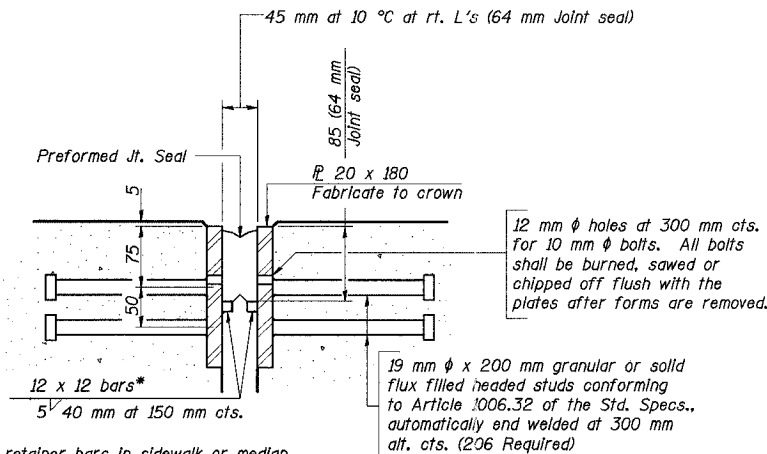
**GENERAL NOTES**

Furnish PJS steel plates in segments of 6 m maximum length. Maximum space between installed segments shall be 5 mm. Seal space with silicone sealant suitable for structural steel.

The joint opening and deck dimensions detailed on the superstructure are based on a preformed joint seal. If the contractor elects to use the alternate strip seal joint, the opening and deck dimensions shall be modified according to the dimensions detailed on Sheet 16 of 37. Required modifications shall be made at no additional cost to the State.

Contractor has option to use Preformed Joint Seal shown on this sheet or Alternate Strip Seal Joint shown on Sheet 16 of 36.

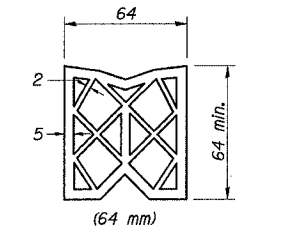
All dimensions are in millimeters (mm) except as noted.



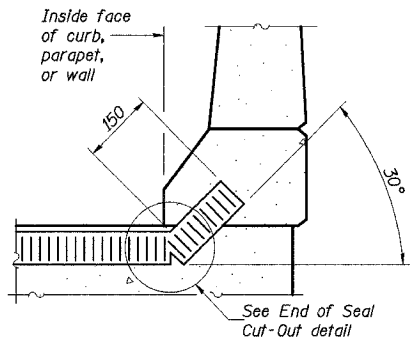
Bridge Joint System (Expansion)	Required Preformed Joint Seal Size	Required Strip Seal rated movement
25 mm	64 mm	25 mm

\*Cut retainer bars in sidewalk or median 150 mm short of the sidewalk or median face.

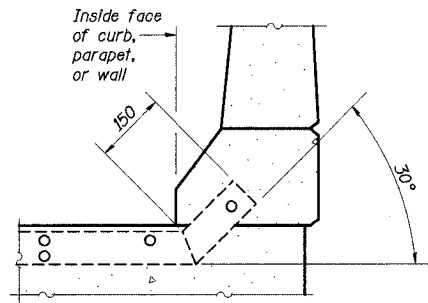
**SECTION THRU EXPANSION JOINT**  
(64 mm joint seal)



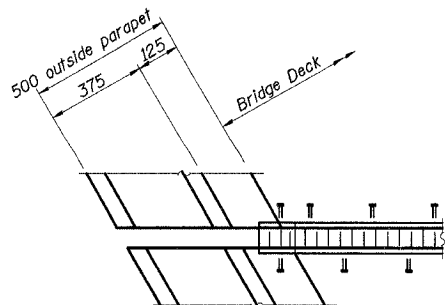
**PREFORMED JOINT SEAL**



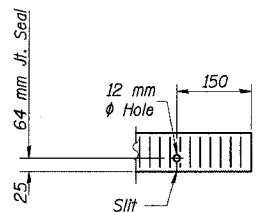
**AT CURB, PARAPET, OR WALL**  
(Showing seal)



**TYPICAL PLATE END TREATMENT AT PARAPET**  
(Showing plate)



**PLAN AT PARAPET**



**END OF SEAL CUT-OUT**

DESIGNED	M.R./ H.T.
CHECKED	H.T.
DRAWN	J.B./ J.S.
CHECKED	H.T./ M.R.

**BILL OF MATERIAL**

Item	Unit	Total
Bridge Joint System (Expansion), 25 mm	meter	15.4

ILLINOIS DEPARTMENT OF TRANSPORTATION  
I-94/IL 394 SOUTH BOUND  
**BRIDGE JOINT SYSTEM - EXPANSION**  
1 OF 2  
SB IL. ROUTE 394 OVER CANADIAN NATIONAL RR  
F.A.P. 332 SECTION (0203.1 & 0312-708W) R-3  
COOK COUNTY  
STA. 39+752.246 S.N. 016-2798 (INSIDE LANES)  
DATE: July 18, 2005  
SCALE: NONE

**Soodan**  
Soodan & Associates, Inc.  
100 North LaSalle Street, Suite 1800  
Chicago, Illinois 60602