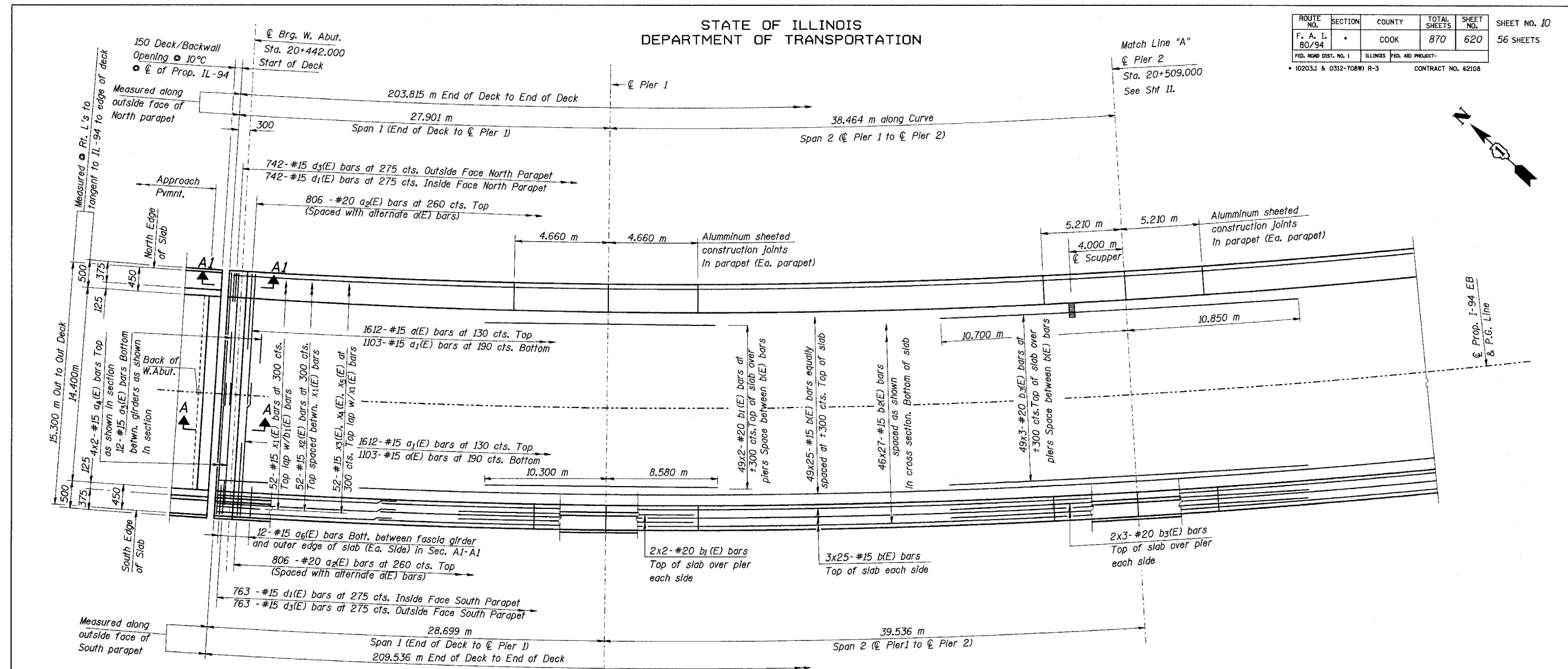
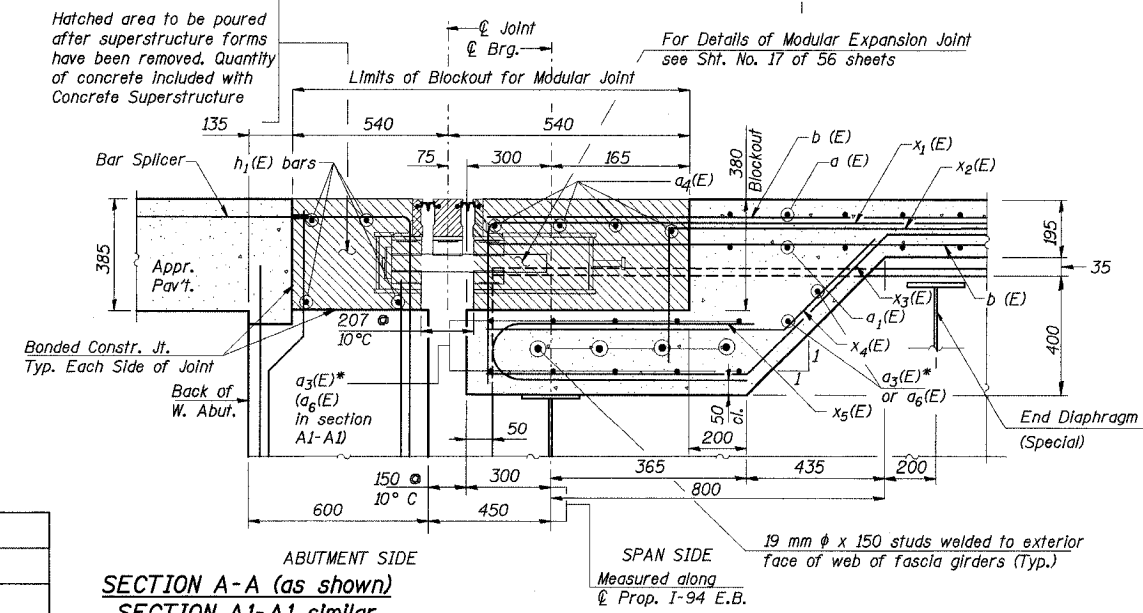


STATE OF ILLINOIS
DEPARTMENT OF TRANSPORTATION

ROUTE NO.	SECTION	COUNTY	TOTAL SHEETS	SHEET NO.	SHEET NO. 10
F. A. I. 80/94		COOK	870	620	56 SHEETS
FED. ROAD DIST. NO. 1	ILLINOIS	FED. AID PROJECT-			
10203.1 & 0312-708W R-3			CONTRACT NO. 62108		



DECK PLAN - SPAN 1 & 2



SECTION A-A (as shown)
SECTION A1-A1 similar

(Not all reinforcement shown in Abutment)

- Notes:
1. Work this sheet with Sheet Numbers 11 thru 13 of 56 Sheets.
 2. Reinforcement bars designated (E) shall be epoxy coated.
 3. Bars indicated thus "48 x 9 - #15 cts." indicates 48 lines of bars with 9 lengths per line.
 4. All dimensions are in millimeters (mm) except as noted.
 5. Place bars d₁(E), d₂(E), d₃(E) to miss the Aluminum Sheeted Joint Location in Parapets.
 6. For deck cross section B-B see Sht 13 of 56
 7. For parapet reinforcement, see Sht. 16 of 56

MIN. BAR LAPS
#15 bars - 510
#20 bars - 640

DESIGNED	R.A.
CHECKED	M.R.
DRAWN	R.A.
CHECKED	M.R. / H.T.

ILLINOIS DEPARTMENT OF TRANSPORTATION
I-94 EAST BOUND / IL 394 SOUTH BOUND
DECK PLAN & DETAILS- SPAN 1 & 2
EB I-94 OVER THORN CREEK
F.A.P. 332 SECTION (0203.1 & 0312-708W) R-3
COOK COUNTY
STA. 20+809.000 STRUCTURE NO. 016-2807
DATE: 7/18/05
SCALE: NTS

Soodan
Soodan & Associates, Inc.
100 North LaSalle Street, Suite 1800
Chicago, Illinois 60602

J:\Beuchamp\JA\34562\CA00\BA\SN_2807\cadd\CTR\15_2807\1190014a_2807.dgn
12-SEP-2005 14:20